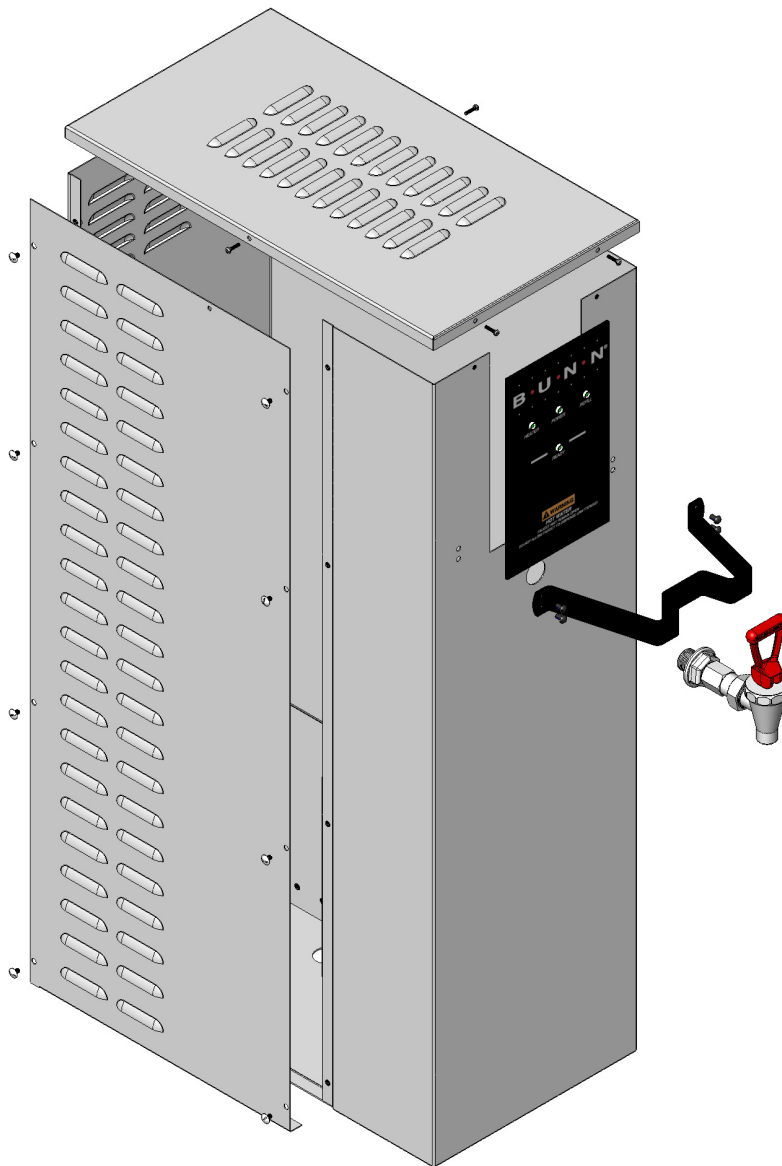


BUNN®

H10X



ILLUSTRATED PARTS CATALOG

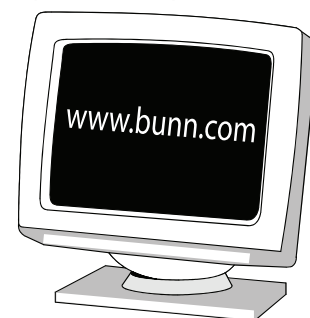
Designs, materials, weights, specifications, and dimensions for equipment or replacement parts are subject to change without notice.

BUNN-O-MATIC CORPORATION

POST OFFICE BOX 3227

SPRINGFIELD, ILLINOIS 62708-3227

PHONE: (217) 529-6601 FAX: (217) 529-6644



BUNN-O-MATIC COMMERCIAL PRODUCT WARRANTY

Bunn-O-Matic Corp. ("BUNN") warrants equipment manufactured by it as follows:

- 1) Airpots, thermal carafes, decanters, GPR servers, iced tea/coffee dispensers, MCP/MCA pod brewers thermal servers and Thermofresh servers (mechanical and digital)- 1 year parts and 1 year labor.
- 2) All other equipment - 2 years parts and 1 year labor plus added warranties as specified below:
 - a) Electronic circuit and/or control boards - parts and labor for 3 years.
 - b) Compressors on refrigeration equipment - 5 years parts and 1 year labor.
 - c) Grinding burrs on coffee grinding equipment to grind coffee to meet original factory screen sieve analysis - parts and labor for 4 years or 40,000 pounds of coffee, whichever comes first.

These warranty periods run from the date of installation BUNN warrants that the equipment manufactured by it will be commercially free of defects in material and workmanship existing at the time of manufacture and appearing within the applicable warranty period. This warranty does not apply to any equipment, component or part that was not manufactured by BUNN or that, in BUNN's judgment, has been affected by misuse, neglect, alteration, improper installation or operation, improper maintenance or repair, non periodic cleaning and descaling, equipment failures related to poor water quality, damage or casualty. In addition, the warranty does not apply to replacement of items subject to normal use including but not limited to user replaceable parts such as seals and gaskets. This warranty is conditioned on the Buyer 1) giving BUNN prompt notice of any claim to be made under this warranty by telephone at (217) 529-6601 or by writing to Post Office Box 3227, Springfield, Illinois 62708-3227; 2) if requested by BUNN, shipping the defective equipment prepaid to an authorized BUNN service location; and 3) receiving prior authorization from BUNN that the defective equipment is under warranty.

THE FOREGOING WARRANTY IS EXCLUSIVE AND IS IN LIEU OF ANY OTHER WARRANTY, WRITTEN OR ORAL, EXPRESS OR IMPLIED, INCLUDING, BUT NOT LIMITED TO, ANY IMPLIED WARRANTY OF EITHER MERCHANTABILITY OR FITNESS FOR A PARTICULAR PURPOSE. The agents, dealers or employees of BUNN are not authorized to make modifications to this warranty or to make additional warranties that are binding on BUNN. Accordingly, statements by such individuals, whether oral or written, do not constitute warranties and should not be relied upon.

If BUNN determines in its sole discretion that the equipment does not conform to the warranty, BUNN, at its exclusive option while the equipment is under warranty, shall either 1) provide at no charge replacement parts and/or labor (during the applicable parts and labor warranty periods specified above) to repair the defective components, provided that this repair is done by a BUNN Authorized Service Representative; or 2) shall replace the equipment or refund the purchase price for the equipment.

THE BUYER'S REMEDY AGAINST BUNN FOR THE BREACH OF ANY OBLIGATION ARISING OUT OF THE SALE OF THIS EQUIPMENT, WHETHER DERIVED FROM WARRANTY OR OTHERWISE, SHALL BE LIMITED, AT BUNN'S SOLE OPTION AS SPECIFIED HEREIN, TO REPAIR, REPLACEMENT OR REFUND.

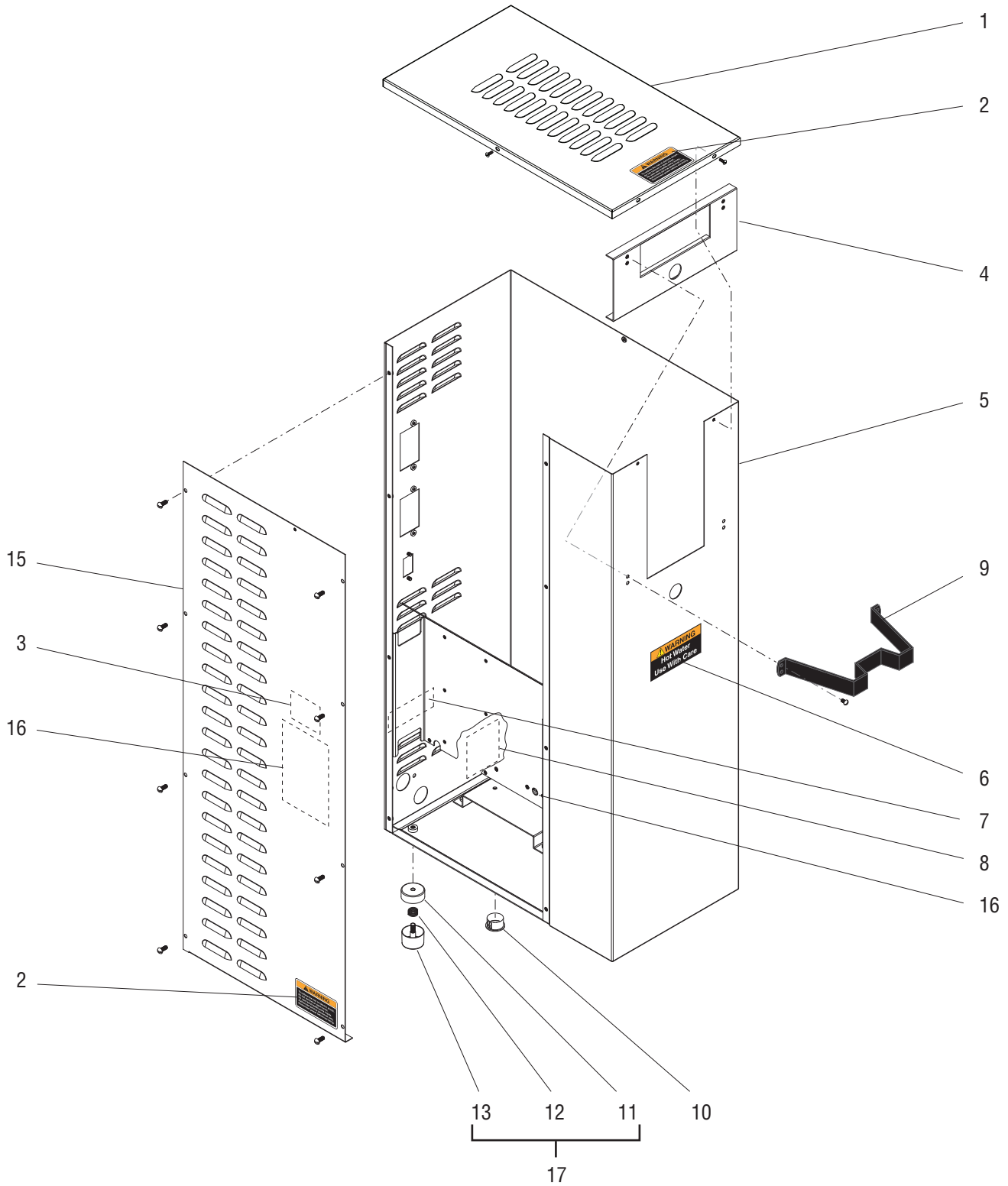
In no event shall BUNN be liable for any other damage or loss, including, but not limited to, lost profits, lost sales, loss of use of equipment, claims of Buyer's customers, cost of capital, cost of down time, cost of substitute equipment, facilities or services, or any other special, incidental or consequential damages.

392, AutoPOD, AXIOM, BrewLOGIC, BrewMETER, Brew Better Not Bitter, BrewWISE, BrewWIZARD, BUNN Espresso, BUNN Family Gourmet, BUNN Gourmet, BUNN Pour-O-Matic, BUNN, BUNN with the stylized red line, BUNNlink, Bunn-OMatic, Bunn-O-Matic, BUNNserve, BUNNSERVE with the stylized wrench design, Cool Froth, DBC, Dr. Brew stylized Dr. design, Dual, Easy Pour, EasyClear, EasyGard, FlavorGard, Gourmet Ice, Gourmet Juice, High Intensity, iMIX, Infusion Series, Intellisteam, My Café, Phase Brew, PowerLogic, Quality Beverage Equipment Worldwide, Respect Earth, Respect Earth with the stylized leaf and coffee cherry design, Safety-Fresh, savemycoffee.com, Scale-Pro, Silver Series, Single, Smart Funnel, Smart Hopper, SmartWAVE, Soft Heat, SplashGard, The Mark of Quality in Beverage Equipment Worldwide, ThermoFresh, Titan, trifecta, Velocity Brew, A Partner You Can Count On, Air Brew, Air Infusion, Beverage Bar Creator, Beverage Profit Calculator, Brew better, not bitter., BUNNSource, Coffee At Its Best, Cyclonic Heating System, Daypart, Digital Brewer Control, Nothing Brews Like a BUNN, Pouring Profits, Signature Series, Tea At Its Best, The Horizontal Red Line, Ultra are either trademarks or registered trademarks of Bunn-O-Matic Corporation.

TABLE OF CONTENTS

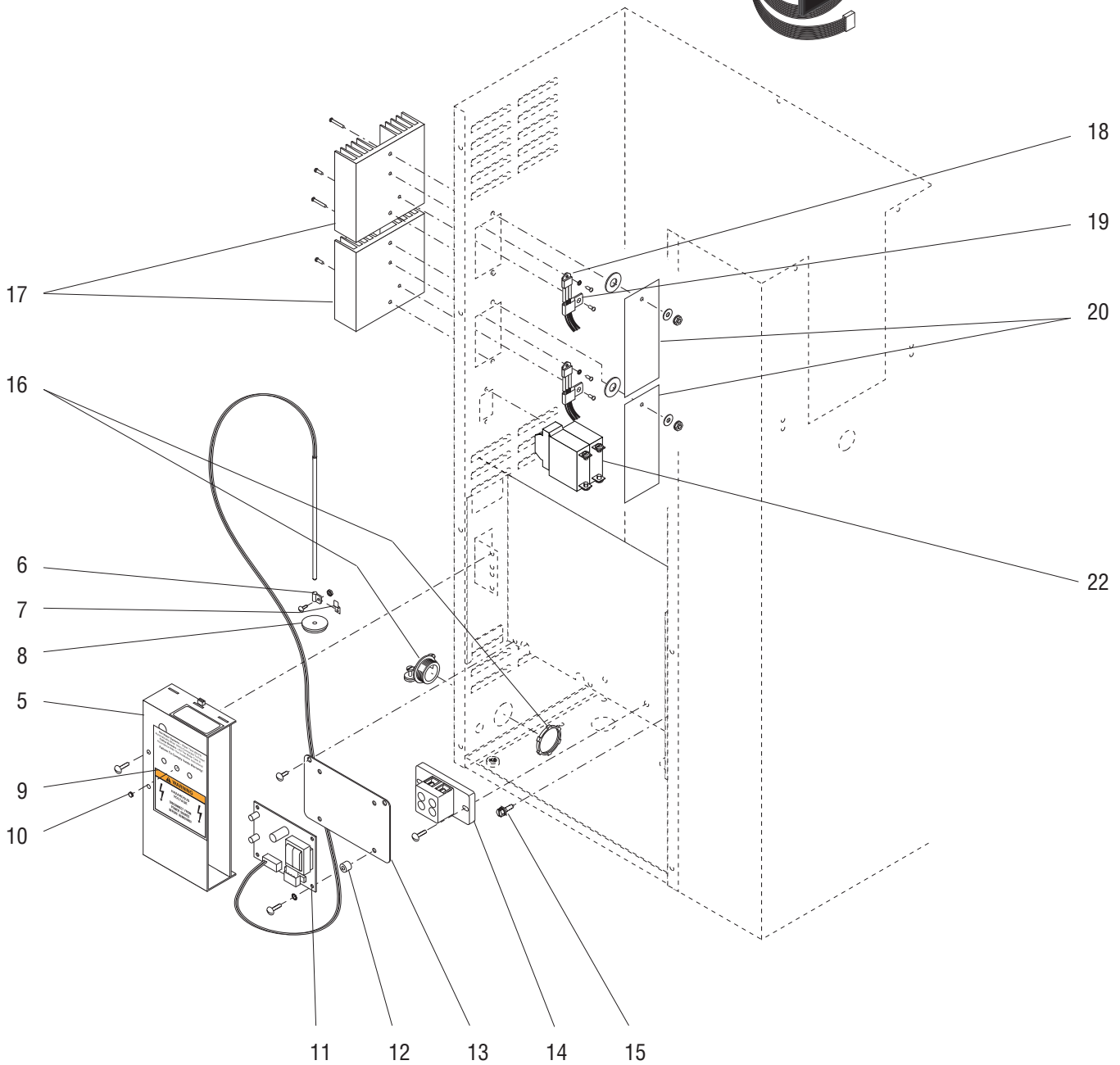
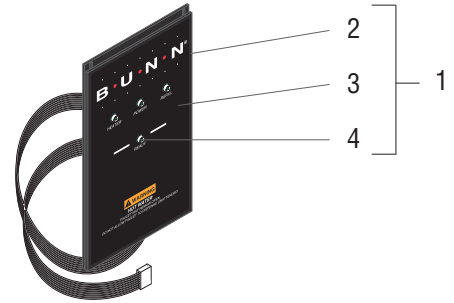
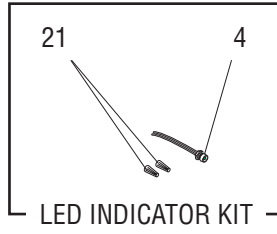
Housing, Cover & Panel	4
Electronic Control & Decorative Panel (Early Models)	6
Digital Control Board & Electrical Components (Late Models)	8
Tank Heater & Overflow Protection Components (Early Models)	10
Tank Heater & Overflow Protection Components (Late Models)	12
Tank & Faucet	14
Strainer/Flow Control, Solenoid & Water Lines (Early Models)	16
Solenoid & Water Lines (Late Models).....	18
Numerical Index.....	20

To order coffee filters, water filters, or other accessories, refer to Specification Sheets at www.bunn.com



HOUSING, COVER & PANEL

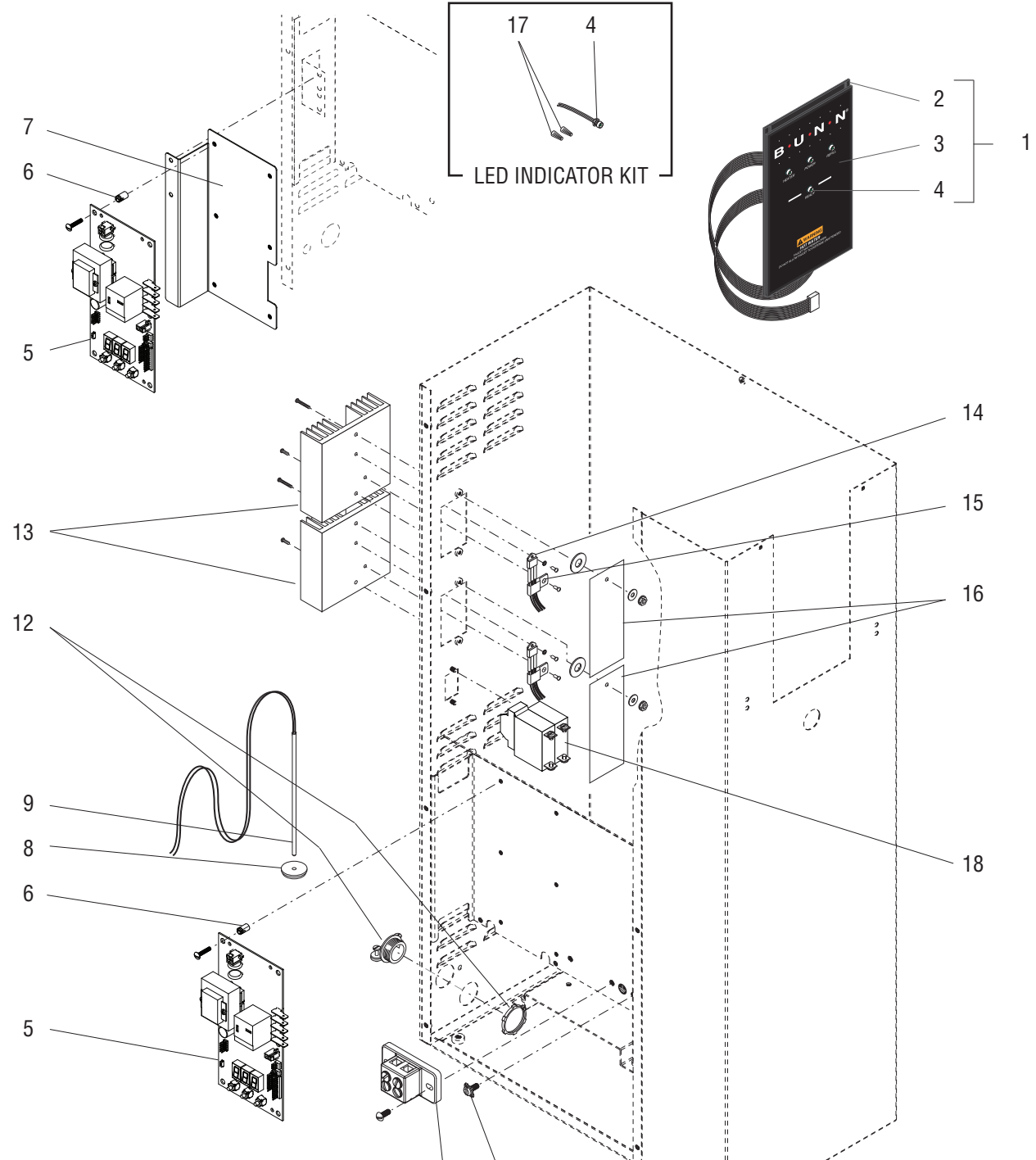
ITEM	PART NO.	QTY.	DESCRIPTION
1	26618.0000	1	Cover W/Decals, Top (Includes items 2 & 3)
	02336.0000	4	Screw, Pan Head 4 - 40 X .375"
2	37881.0000	2	Decal, No Serviceable Parts
3	12537.0000	1	Decal - Notice 200-240V Components
4	22761.0000	1	Bracket, Faucet/Support
5	26612.0000	1	Housing W/Decals 1st Style (No Switch) (Includes items 6-8 & 16)
	26612.0001	1	Housing W/Decals 2nd Style w/Master ON/OFF Rocker Switch (Include items 6-8)
	26612.0002	1	Housing W/Decals 3rd Style w/Master ON/OFF Sw & 3/4" Inlet Valve (Includes 6-8)
6	12593.0000	1	Decal, Warning Very Hot Water
7	00656.0000	1	Decal, Comply To Plumbing Code
8	00831.0000	1	Decal, Warning - Electrical
9	12268.0000	1	Guard, Faucet/Handle
	02329.0000	4	Screw, Round Head 8 - 32 x .312" Locking
10	03011.0000	4	Plug, Vent
11	00752.0000	4	Cover, Foot
12	00751.0000	4	Spring
13	00754.0001	4	Foot/Locator
14	01175.0000	4	Foot Kit (Includes 1 ea of 11-13)
15	26611.0000	1	Panel W/Decals, Access (Includes items 2 & 3)
	01311.0001	8	Screw, Truss Head 8 - 32 X .25" Locking
16	10888.0000	1	Schematic, Electrical 208-240V (Early Models)
	40707.0000	1	Schematic, Electrical 208-240V (Late Models w/ Digital Control Board)
17	00824.0000	1	Decal, Ground



ELECTRONIC CONTROL & DECORATIVE PANEL (Early Models)

ITEM	PART NO.	QTY.	DESCRIPTION	
1	21112.1002	1	Panel Assy W/LED Indicators (Includes items 2, 3 & 4)	
2	21033.0000	1	Panel W/Decal (Includes item 3)	
3	21031.0000	1	Decal, Decorative - Front Panel	
4	-----	4	LED, Indicator (Order item 22)	
5	-----	1	Control Assy, Electronic (Early Models. Order Digital Control Board)	
	41186.0000	1	Kit, CBA H10X Retrofit, Digital 120V & 240V	
	01311.0000	2	Screw, Pan Head 8 - 32 x .25"	
6	26263.0000	1	Clamp, Steel .12"/.19"	
	01382.0000	1	Screw, Truss Head 6 - 32 x .375"	
	00973.0000	1	Nut, Keps 6 - 32	
7	01667.0000	1	Terminal, .25"	
8	12570.0000	1	Grommet, Temp. Sensor	
9	12559.0002	1	Decal, Caution/Warning	
10	00619.0002	1	Plug, Hole .250" Dia	
11	24406.0001	1	Interlock, Dry Plug-in	
	01510.0000	4	Lockwasher, External Tooth #6	
	01388.0000	4	Screw, Truss Head #6 - 32 x .75"	
12	01533.0000	4	Spacer, .375"	
13	25394.0000	1	Plate, Mounting	
	02308.0000	2	Screw, Pan Head 8 - 32 x .375"	
14	01106.0001	1	Terminal Block, 2 Pole	
	01331.0000	2	Screw, Round Head #10 - 32 x .50"	
15	01309.0000	1	Ground Screw W/Terminal Washer 10 - 32 x .50"	
16	01590.0001	1	Connector, Cable	
17	20541.0001	2	Heat Sink	} Also order item 26
	01388.0002	2	Screw, Truss Head 6 - 32 x .75"	
	01347.0002	2	Screw, Truss Head 6 - 32 x .375"	
18	12565.0009	2	Triac Assy, 40 Amp	} Also order item 26
	12565.0022	2	Triac Assy, 40 Amp (Models w/ Master ON/OFF Switch	
	02328.0003	2	Screw, Pan Head 6 - 32 x .312"	
	01520.0000	2	Lockwasher, Split #6	
19	20767.0000	2	Clamp, Cable	
	01347.0002	2	Screw, Truss Head 6 - 32 x .375"	
20	00637.0004	2	Shield, Triac	
	01543.0000	2	Washer, Flat .375" I.D. x .875" O.D.	
	01522.0000	2	Washer, Flat .203" I.D. X .50" O.D.	
	00973.0000	2	Nut, Keps 6 - 32	
21	01570.0000	2	Wire Nut, 2-24 AWG Min. Yellow	
22	38894.0001	1	Switch, Master ON/OFF	
	01308.0002	2	Screw, Truss Head, Locking #6-32 x .25" (Mounting)	} Terminals
	01327.0000	4	Screw, Pan Head #10-32 x .38"	
	01512.0000	4	Lockwasher #10	
23	12517.0001	1	Kit, LED Indicator (Includes one LED & item 21)	
	25292.0000	1	Lockwasher M6	
	34130.0000	1	Nut M6	
24	26081.0001	1	Wiring Harness, Main 200-240V (Not illustrated)	
25	38920.0005	1	Wiring Harness, Master ON/OFF Switch (Not illustrated)	
26	M2522.1000	-	Heat Sink Compound 5 oz. (Not illustrated)	

2nd Style w/Early Inlet Valve



3rd Style w/ 3/4" Inlet Valve

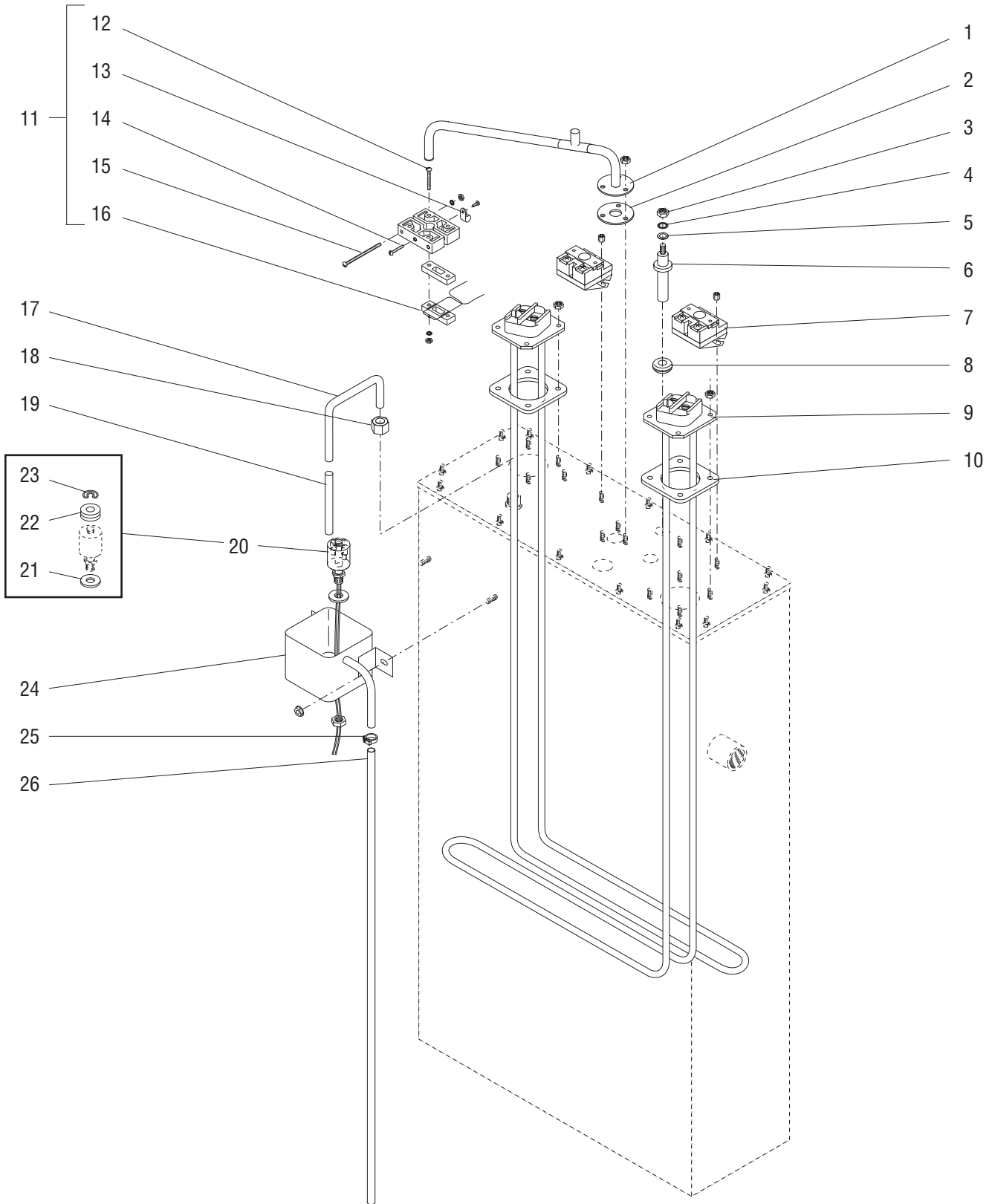


DIGITAL CONTROL BOARD & ELECTRICAL COMPONENTS (Late Models)

ITEM	PART NO.	QTY.	DESCRIPTION	
1	21112.1002	1	Panel Assy W/LED Indicators (Includes items 2, 3 & 4)	
2	21033.0000	1	Panel W/Decal (Includes item 3)	
3	21031.0000	1	Decal, Decorative - Front Panel	
4	-----	4	LED, Indicator (Order item 19)	
5	40697.1000	1	Control Board, Digital	
	02370.0001	6	Screw, Truss Head 6 - 32 x .75" (3rd Style Only)	
	01388.0000	6	Screw, Truss Head 6 - 32 x .75" (2nd Style Only)	
6	29081.0003	6	Spacer (3rd Style Only)	
	29081.0000	6	Spacer (2nd Style Only)	
7	39217.0001	1	Bracket (2nd Style Only)	
	01311.0000	2	Screw, Pan Head 8 - 32 x .25"	
8	12570.0000	1	Grommet, Temp. Sensor	
9	12568.0008	1	Probe, Temperature & Dry Plug	
10	01106.0001	1	Terminal Block, 2 Pole	
	01331.0000	2	Screw, Round Head #10 - 32 x .50"	
11	01309.0000	1	Ground Screw W/Terminal Washer 10 - 32 x .50"	
12	01590.0001	1	Connector, Cable	
13	20541.0001	2	Heat Sink	
	01388.0002	2	Screw, Truss Head 6 - 32 x .75"	
	01347.0002	2	Screw, Truss Head 6 - 32 x .375"	
14	12565.0030	2	Triac Assy, 40 Amp (Models w/.75" inlet valve)	} Also order item 24
	02328.0003	2	Screw, Pan Head 6 - 32 x .312"	
	01520.0000	2	Lockwasher, Split #6	
15	20767.0000	2	Clamp, Cable	
	01347.0002	2	Screw, Truss Head 6 - 32 x .375"	
16	00637.0004	2	Shield, Triac	
	01543.0000	2	Washer, Flat .375" I.D. x .875" O.D.	
	01522.0000	2	Washer, Flat .203" I.D. X .50" O.D.	
	00973.0000	2	Nut, Keps 6 - 32	
17	01570.0000	2	Wire Nut, 2-24 AWG Min. Yellow	
18	38894.0001	1	Switch, Master ON/OFF	
	01308.0002	2	Screw, Truss Head, Locking #6-32 x .25" (Mounting)	
	01327.0000	4	Screw, Pan Head #10-32 x .38"	
	01512.0000	4	Lockwasher #10	} Terminals

The following items are not illustrated

19	12517.0001	1	Kit, LED Indicator (Includes one LED & item 17)
	25292.0000	1	Lockwasher M6
	34130.0000	1	Nut M6
20	26081.0003	1	Wiring Harness, Main
21	38920.0010	1	Wiring Harness, Master ON/OFF Switch to Term. Block
22	40713.0000	1	Wiring Harness, Relay to Triac (Models w/early inlet valve)
	40713.0001	1	Wiring Harness, Relay to Triac (Models w/.75" inlet valve)
23	40714.0000	1	Wiring Harness, Relay/Triac COM
24	M2522.1000	-	Heat Sink Compound 5 oz.



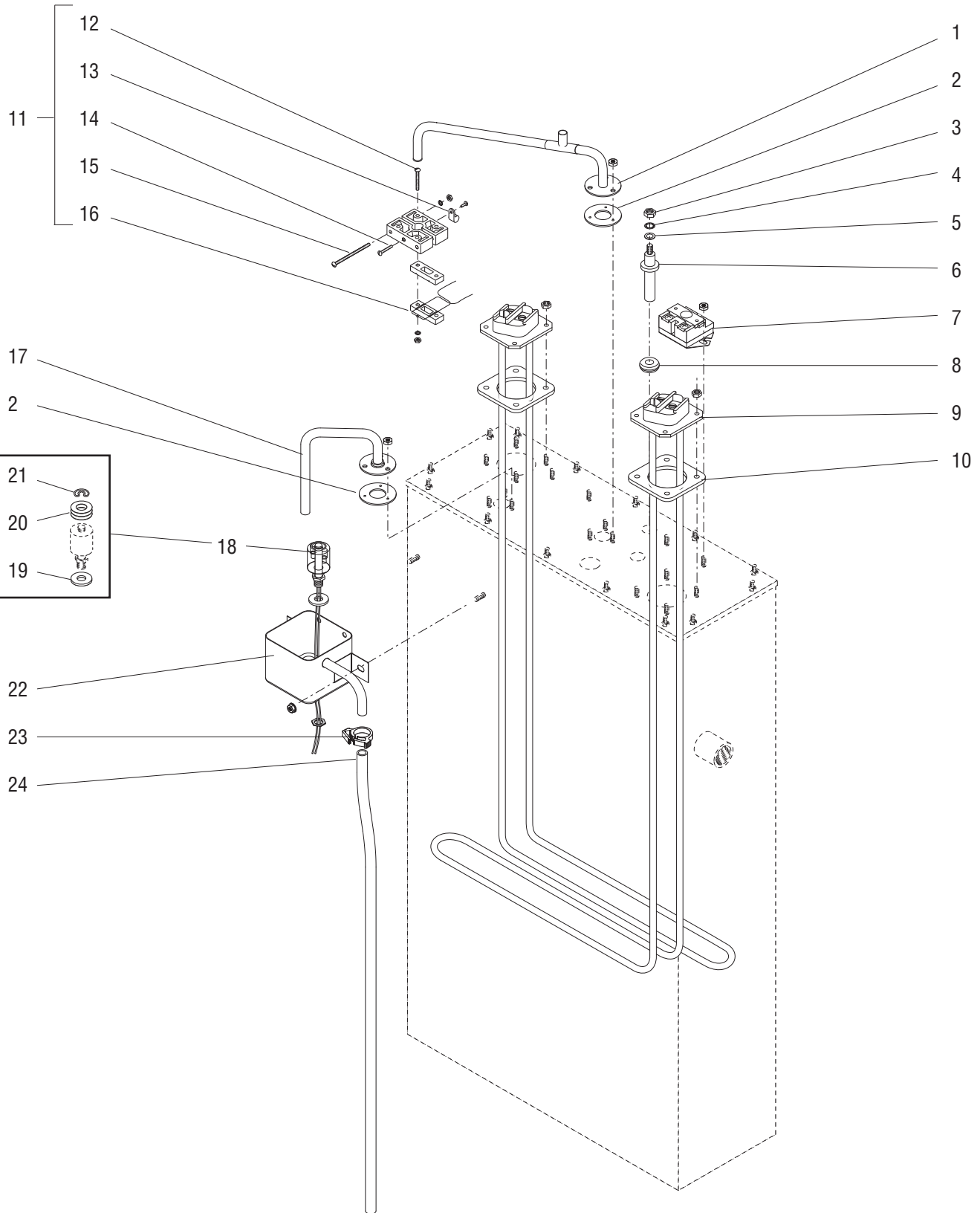
TANK HEATER & OVERFLOW PROTECTION COMPONENTS (Early Models)

ITEM	PART NO.	QTY.	DESCRIPTION
1	24645.0000	1	Tube, Overflow
	00908.0000	3	Nut, Hex 8 - 32
2	05515.0000	1	Gasket, Overflow Tube
3	00908.0000	1	Nut, Hex 8 - 32
4	20203.0100	1	Lockwasher, Internal Tooth #8
5	01501.0000	1	Washer, .164" I.D. x .375" O.D.
6	20936.1000	1	Probe Kit, Water Level (Includes items 3, 4 & 5)
7	23717.0003	2	Thermostat, Limit
	00932.0000	4	Spacer, Hex 8 - 32 x .375"
8	02536.0000	1	Grommet, .375" I.D.
9	21953.1001	2	Tank Heater Kit 4000W 240V
	21953.1000	2	Tank Heater Kit 4000W 208V
	00908.0000	8	Nut, Hex 8 - 32
10	12398.0000	2	Gasket, Tank Heater
11	12586.0001	1	Thermistor Assy (Includes items 12 thru 16)
12	02370.0001	2	Screw, Pan Head 6 - 32 x 1.25"
	01520.0000	2	Lockwasher, Split #6
	00906.0000	2	Nut, 6 - 32
13	41760.0000	1	Clamp, Thermistor
	01382.0000	1	Screw, Truss Head 6 - 32 x .38"
14	01388.0000	1	Screw, Truss Head 6 - 32 X .75"
15	02370.0002	2	Screw, Pan Head 6 - 32 x 2.0"
	01520.0000	2	Lockwasher, Split #6
	00906.0000	2	Nut, 6 - 32
16	12551.0001	1	Thermistor
17	25396.0000	1	Tube Assy, Overflow (Includes item 18)
18	00929.0001	1	Nut/Sleeve, Compression .38"
19	-----	1	Tube, Silicone .312" I.D. x 3.0" (Order item 27)
20	03803.0000	1	Switch Assy, Liquid Level (Includes items 21, 22 & 23)
	00946.0000	1	Nut, Hex .125" FPT
21	03633.0000	2	Gasket, Float Switch (Only 1 used in this application)
22	-----	3	Washer, Adjusting (DO NOT USE IN THIS APPLICATION)
23	03807.0000	1	Clip, Spring
24	22728.0000	1	Overflow Cup Assy (Replacement for Aluminum & Copper Cups)
	00971.0000	2	Nut, Keps #10 - 32
25	12422.0000	1	Clamp, Hose .47"/.54" I.D.
26	-----	1	Tube, Silicone .312" I.D. x 23.0" (Order item 27)

} Includes item 10

The following items are not illustrated

27	03236.1000	-	Tube, Silicone .312" I.D. x 12.0"
	03236.1001	-	Tube, Silicone .312" I.D. x 36.0"
	03236.1002	-	Tube, Silicone .312" I.D. x 120.0"
	03236.1003	-	Tube, Silicone .312" I.D. x 60.0"



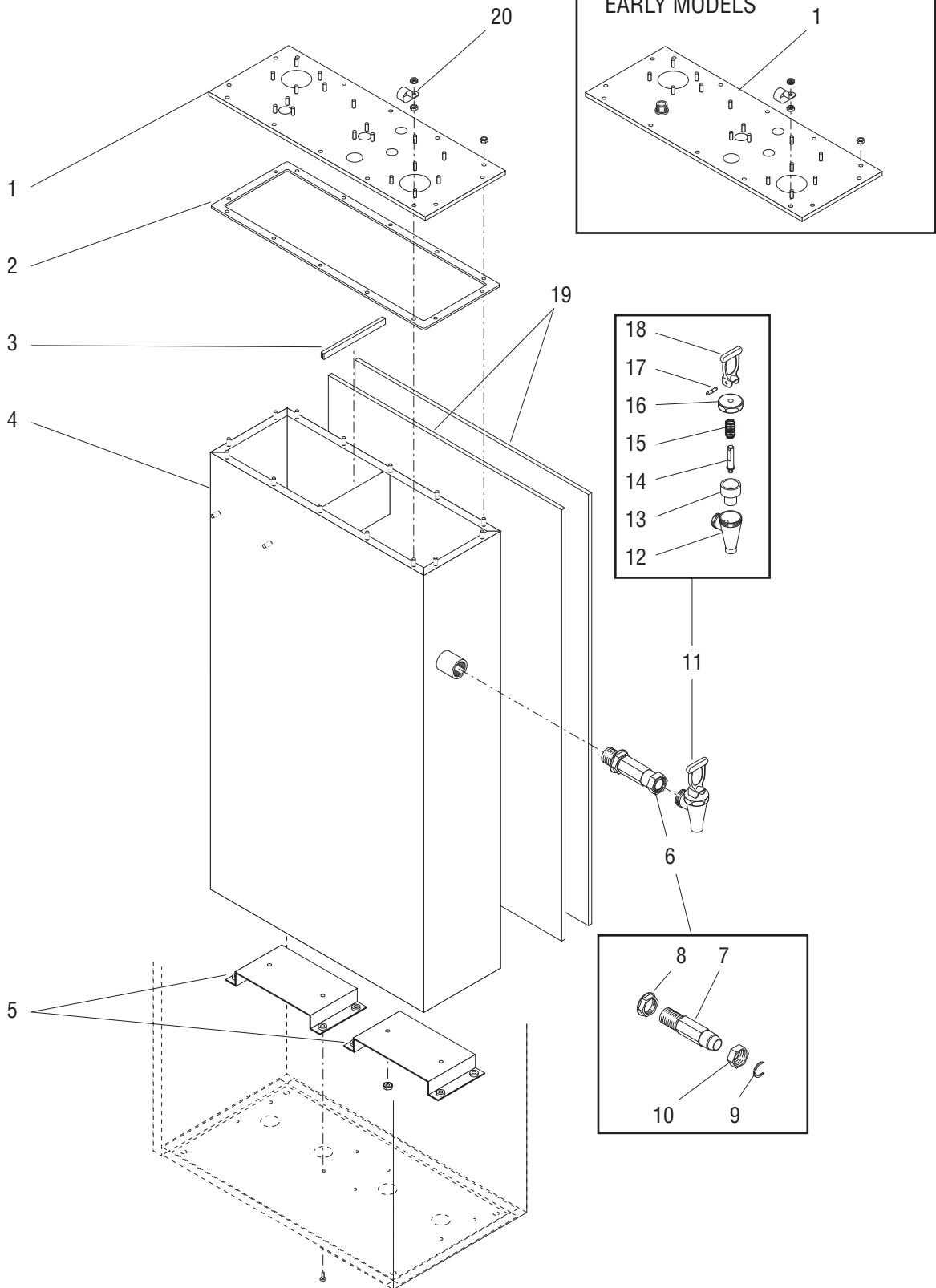
TANK HEATER & OVERFLOW PROTECTION COMPONENTS (Late Models)

ITEM	PART NO.	QTY.	DESCRIPTION
1	24645.0000	1	Tube, Overflow
	00908.0000	3	Nut, Hex 8 - 32
2	05515.0000	2	Gasket, Overflow Tube
3	00908.0000	1	Nut, Hex 8 - 32
4	20203.0100	1	Lockwasher, Internal Tooth #8
5	01501.0000	1	Washer, .164" I.D. x .375" O.D.
6	20936.1000	1	Probe Kit, Water Level (Includes items 3, 4 & 5)
7	23717.0003	2	Thermostat, Limit
	00932.0000	4	Spacer, Hex 8 - 32 x .375"
8	02536.0000	1	Grommet, .375" I.D.
9	21953.1001	2	Tank Heater Kit 4000W 240V
	21953.1000	2	Tank Heater Kit 4000W 208V
	00908.0000	8	Nut, Hex 8 - 32
10	12398.0000	2	Gasket, Tank Heater
11	12586.0001	1	Thermistor Assy (Includes items 12 thru 16)
12	02370.0001	2	Screw, Pan Head 6 - 32 x 1.25"
	01520.0000	2	Lockwasher, Split #6
	00906.0000	2	Nut, 6 - 32
13	41760.0000	1	Clamp, Thermistor
	01382.0000	1	Screw, Truss Head 6 - 32 x .38"
14	01388.0000	1	Screw, Truss Head 6 - 32 X .75"
15	02370.0002	2	Screw, Pan Head 6 - 32 x 2.0"
	01520.0000	2	Lockwasher, Split #6
	00906.0000	2	Nut, 6 - 32
16	12551.0001	1	Thermistor
17	25396.1001	1	Tube Assy, Overflow
18	03803.0000	1	Switch Assy, Liquid Level (Includes items 19-21)
	00946.0000	1	Nut, Hex .125" FPT
19	03633.0000	2	Gasket, Float Switch (Only 1 used in this application)
20	-----	3	Washer, Adjusting (DO NOT USE IN THIS APPLICATION)
21	03807.0000	1	Clip, Spring
22	22728.0000	1	Overflow Cup Assy (Replacement for Aluminum & Copper Cups)
	00971.0000	2	Nut, Keps #10 - 32
23	12422.0000	1	Clamp, Hose .47"/.54" I.D.
24	-----	1	Tube, Silicone .312" I.D. x 23.0" (Order item 25)

} Includes item 10

The following items are not illustrated

25	03236.1000	-	Tube, Silicone .312" I.D. x 12.0"
	03236.1001	-	Tube, Silicone .312" I.D. x 36.0"
	03236.1002	-	Tube, Silicone .312" I.D. x 120.0"
	03236.1003	-	Tube, Silicone .312" I.D. x 60.0"

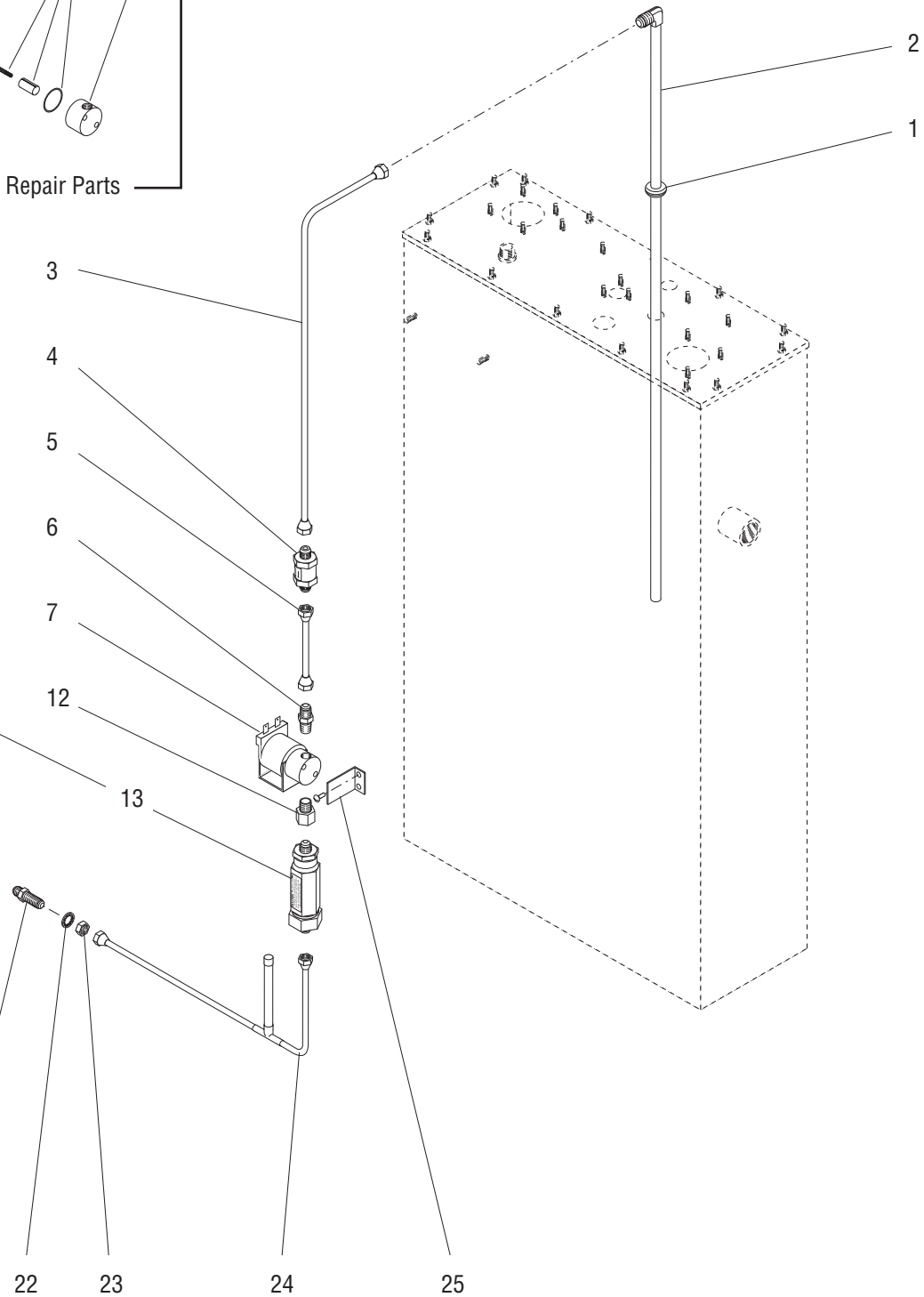
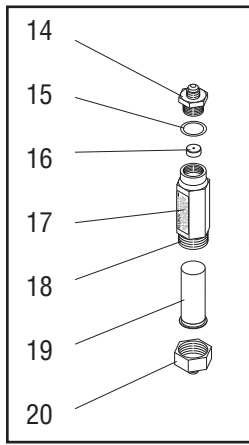
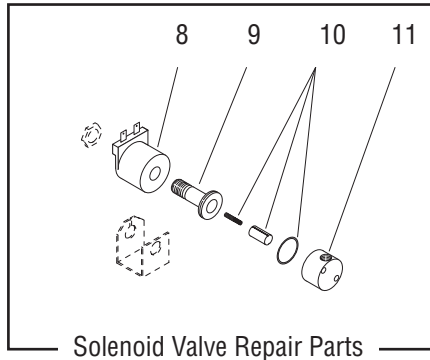


TANK & FAUCET

ITEM	PART NO.	QTY.	DESCRIPTION
1	22529.0000	1	Lid, Tank (Early Models)
	22529.1001	1	Lid, Tank (Late Models)
	00908.0000	14	Nut, 8 - 32
2	20883.0000	1	Gasket, Tank lid
3	-----	1	U-Channel (4.60") (Order item 21)
4	22531.0000	1	Tank
5	22534.0000	2	Bracket, Tank Mounting
	00971.0000	4	Nut, Keps 10 - 32
	02308.0000	8	Screw, Pan Head 8 - 32 x .50"
6	01262.0000	1	Faucet Shank Assy (Includes items 7 thru 10)
7	-----	1	Faucet Shank Body (Not available order item 6)
8	07119.0000	1	Faucet Shank Nut
9	01221.0000	1	Faucet Shank C-Ring
10	01268.0000	1	Faucet Union Nut
11	07094.0001	1	Faucet Assy (Includes items 12 thru 18)
12	-----	1	Faucet Body (Not available order item 11)
13	00600.0001	1	Faucet Seat Cup
14	35271.0000	1	Faucet Stem
15	00601.0000	1	Faucet Spring
16	07127.0003	1	Faucet Bonnet Nut
17	01219.0000	1	Faucet Handle Pin
18	07244.0000	1	Faucet Handle
19	01024.0001	2	Insulation, Tank
20	00603.0000	1	Clamp
	00970.0000	1	Nut, Keps 8 - 32

The following items are not illustrated

21	02434.1000	-	U-Channel (18.0") (Not illustrated)
22	28710.0000	-	Faucet Kit (Includes items 13,14,15 & 18)

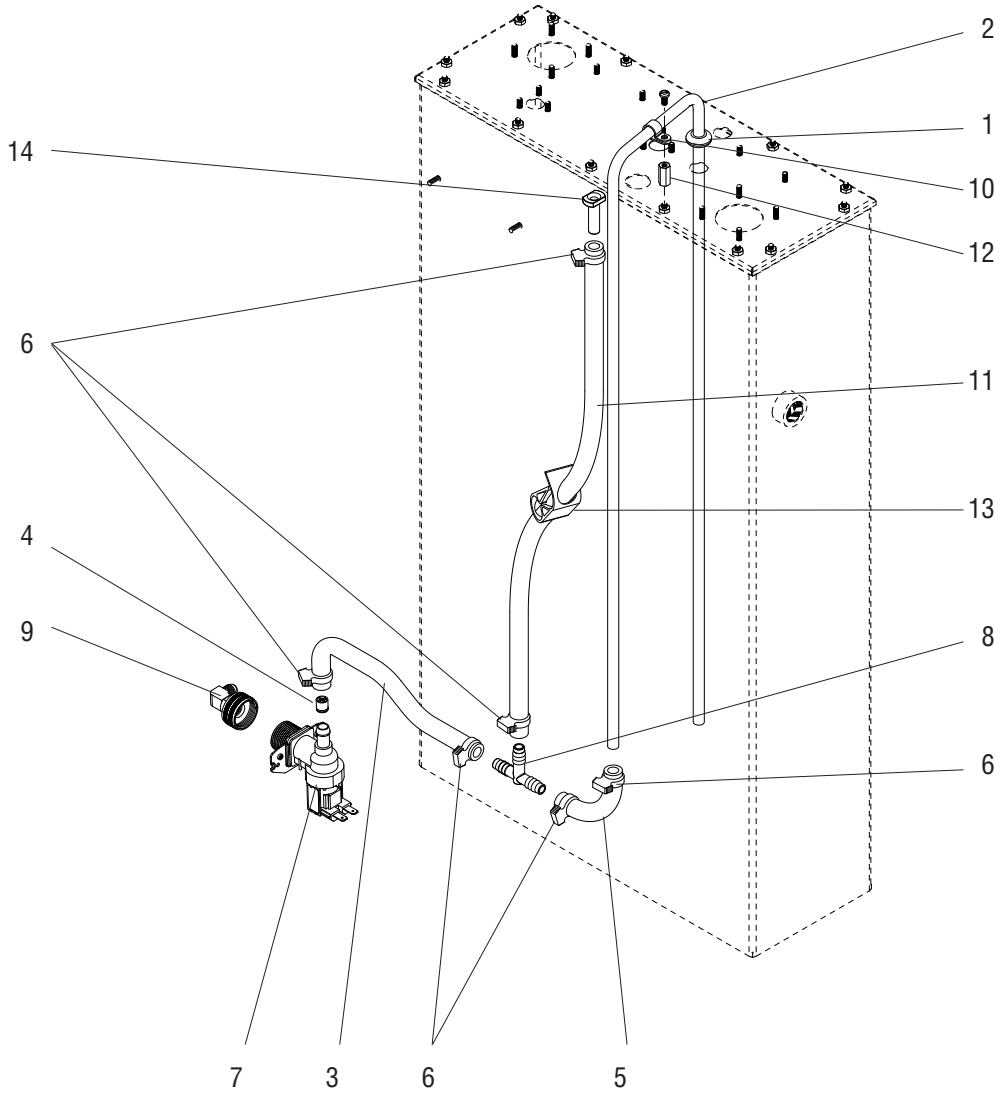


STRAINER/FLOW CONTROL, SOLENOID & WATER LINES (Early Models)

ITEM	PART NO.	QTY.	DESCRIPTION
1	02536.0000	1	Grommet, .375" I.D.
2	25395.0000	1	Tube, Fill
3	26257.0000	1	Tube Assy, Check Valve to Fill Tube (Includes nuts)
4	01171.0001	1	Check Valve (Refer to item 26 for Repair Kit)
5	26256.0000	1	Tube Assy, Solenoid to Check Valve (Includes nuts)
6	00402.0001	1	Connector, .250" Flare x .125" MPT
7	01975.0000	1	Solenoid Valve Assy, 208-240V
	01327.0000	2	Screw, Pan Head 10 - 32 x .375"
	01502.0000	2	Lockwasher, Split #10
8	01100.0000	1	Solenoid Valve Coil, 208-240V
9	01116.0000	1	Sleeve Assy, Solenoid Valve
10	01111.0000	1	Solenoid Valve Repair Kit (Contains a Spring, Plunger & Seal)
11	01079.0000	1	Solenoid Valve Base
12	24613.0001	1	Adapter, .25" Female Flare x .125" MPT
13	37855.1750	1	Strainer/Flow Control Assy (.750 GPM) (Includes items 14 thru 20)
14	36687.0000	1	Flow Control Outlet
15	01155.0000	1	Flow Control Gasket
16	37857.1750	1	Flow Washer/Gasket Set, .750 GPM (Includes item 15)
17	22307.0750	1	Decal, Strainer/Flow Control (.750 GPM)
18	-----	1	Body (Not Available order item 13)
19	23721.0000	1	Screen
20	22249.0000	1	End Cap
21	00459.0000	1	Bulkhead Fitting, .250" Flare
22	01532.0000	1	Lockwasher, Internal Tooth .438" I.D.
23	00463.0000	1	Nut, Hex .438" - 20
24	26255.0000	1	Tube Assy, Bulkhead to Strainer/Flow Control (Includes nuts)
25	04623.0002	1	Bracket, Solenoid Valve Mounting
	01311.0000	2	Screw, Truss Head 8 - 32 x .25"

The following items are not illustrated

26	01170.0000	1	Check Valve Repair Kit (Contains: Gasket, Spring & Seat Assembly)
----	------------	---	---



SOLENOID & WATER LINES (Late Models)

ITEM	PART NO.	QTY.	DESCRIPTION
1	02536.0000	1	Grommet, .375" I.D.
2	25395.0001	1	Tube, Fill
3	-----	1	Tubing, Valve to Tee .375" I.D. (8')
4	36378.0001	1	Check Valve
5	-----	1	Tubing, Tee to Fill Tube .375" I.D. (4')
6	12422.0001	6	Clamp, SNP-10
7	40506.1011	1	Solenoid Valve Assy, 220-240V (.75GPM)
	32283.0000	2	Screw, Pan Head M4 x 6MM
8	38948.0001	1	Fitting, Tee
9	37297.1006	1	Elbow, .25" Flare x .75" Hose THD
10	26263.0001	1	Clamp, SST
	02308.0000	1	Screw, Pan Head 8-32 x .50"
11	-----	1	Tubing, Drain .375" I.D. (24')
12	00950.0000	1	Spacer, Hex. 8-32 x .75"
13	11630.0001	1	Clamp, Shut Off
14	34392.0000	1	Plug

The following items are not illustrated

15	20976.1000	-	Tubing, .375" I.D. - 1 Ft.
	20976.1001	-	Tubing, .375" I.D. - 3 Ft.
	20976.1002	-	Tubing, .375" I.D. - 10 Ft.
	20976.1004	-	Tubing, .375" I.D. - 250 Ft.

NUMERICAL INDEX

PART NO.	PAGE NO.	PART NO.	PAGE NO.	PART NO.	PAGE NO.	PART NO.	PAGE NO.
00402.0001.....	17	01543.0000.....	7,9	21033.0000.....	7,9	40707.0000.....	5
00459.0000.....	17	01570.0000.....	7,9	21112.1002.....	7,9	40713.0000.....	9
00463.0000.....	17	01590.0001.....	7,9	21953.1000.....	11,13	40713.0001.....	9
00600.0001.....	15	01667.0000.....	7	21953.1001.....	11,13	40714.0000.....	9
00601.0000.....	15	01975.0000.....	17	22249.0000.....	17	41186.0000.....	7
00603.0000.....	15	02308.0000.....	7,15,19	22307.0750.....	17	41760.0000.....	11,13
00619.0002.....	7	02328.0003.....	7,9	22529.0000.....	15	M2522.1000	7,9
00637.0004.....	7,9	02329.0000.....	5	22529.1001.....	15		
00656.0000.....	5	02336.0000.....	5	22531.0000.....	15		
00751.0000.....	5	02370.0001.....	9,11,13	22534.0000.....	15		
00752.0000.....	5	02370.0002.....	11,13	22728.0000.....	11,13		
00754.0001.....	5	02434.1000.....	15	22761.0000.....	5		
00824.0000.....	5	02536.0000.....	11,13	23717.0003.....	11,13		
00831.0000.....	5	02536.0000.....	17,19	23721.0000.....	17		
00906.0000.....	11,13	03011.0000.....	5	24406.0001.....	7		
00908.0000.....	11,13,15	03236.1000.....	11,13	24613.0001.....	17		
00929.0001.....	11	03236.1001.....	11,13	24645.0000.....	11,13		
00932.0000.....	11,13	03236.1002.....	11,13	25292.0000.....	7,9		
00946.0000.....	11,13	03236.1003.....	11,13	25394.0000.....	7		
00950.0000.....	19	03633.0000.....	11,13	25395.0000.....	17		
00970.0000.....	15	03803.0000.....	11,13	25395.0001.....	19		
00971.0000.....	11,13,15	03807.0000.....	11,13	25396.0000.....	11		
00973.0000.....	7,9	04623.0002.....	17	25396.1001.....	13		
01024.0001.....	15	05515.0000.....	11,13	26081.0001.....	7		
01079.0000.....	17	07094.0001.....	15	26081.0003.....	9		
01100.0000.....	17	07119.0000.....	15	26255.0000.....	17		
01106.0001.....	7,9	07127.0003.....	15	26256.0000.....	17		
01111.0000.....	17	07244.0000.....	15	26257.0000.....	17		
01116.0000.....	17	10888.0000.....	5	26263.0000.....	7		
01155.0000.....	17	11630.0001.....	19	26263.0001.....	19		
01170.0000.....	17	12268.0000.....	5	26611.0000.....	5		
01171.0001.....	17	12398.0000.....	11,13	26612.0000.....	5		
01175.0000.....	5	12422.0000.....	11,13	26612.0001.....	5		
01219.0000.....	15	12422.0001.....	19	26612.0002.....	5		
01221.0000.....	15	12517.0001.....	7,9	26618.0000.....	5		
01262.0000.....	15	12537.0000.....	5	28710.0000.....	15		
01268.0000.....	15	12551.0001.....	11,13	29081.0000.....	9		
01308.0002.....	7,9	12559.0002.....	7	29081.0003.....	9		
01309.0000.....	7,9	12565.0009.....	7	32283.0000.....	19		
01311.0000.....	7,9,17	12565.0022.....	7	34130.0000.....	7,9		
01311.0001.....	5	12565.0030.....	9	34392.0000.....	19		
01327.0000.....	7,9,17	12568.0008.....	9	35271.0000.....	15		
01331.0000.....	7,9	12570.0000.....	7,9	36378.0001.....	19		
01347.0002.....	7,9	12586.0001.....	11,13	36687.0000.....	17		
01382.0000.....	7,11,13	12593.0000.....	5	37297.1006.....	19		
01388.0000.....	7,9,11,13	20203.0100.....	11,13	37855.1750.....	17		
01388.0002.....	7,9	20541.0001.....	7,9	37857.1750.....	17		
01501.0000.....	11,13	20767.0000.....	7,9	37881.0000.....	5		
01502.0000.....	17	20883.0000.....	15	38894.0001.....	7,9		
01510.0000.....	7	20936.1000.....	11,13	38920.0005.....	7		
01512.0000.....	7,9	20976.1000.....	19	38920.0010.....	9		
01520.0000.....	7,9,11,13	20976.1001.....	19	38948.0001.....	19		
01522.0000.....	7,9	20976.1002.....	19	39217.0001.....	9		
01532.0000.....	17	20976.1004.....	19	40506.1011.....	19		
01533.0000.....	7	21031.0000.....	7,9	40697.1000.....	9		