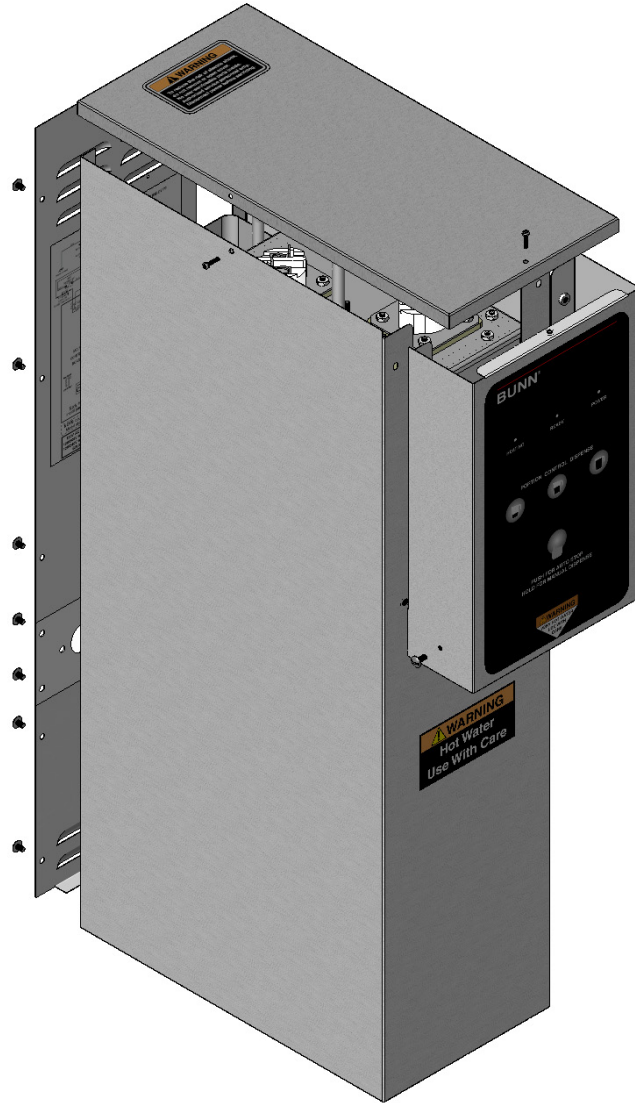


# BUNN®

## *H5E-DV PC* *H5EA PC*



## ILLUSTRATED PARTS CATALOG

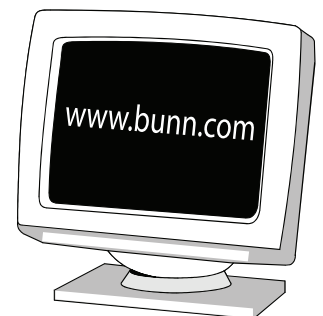
Designs, materials, weights, specifications, and dimensions for equipment or replacement parts are subject to change without notice.

**BUNN-O-MATIC CORPORATION**

POST OFFICE BOX 3227

SPRINGFIELD, ILLINOIS 62708-3227

PHONE: (217) 529-6601 FAX: (217) 529-6644



## **BUNN-O-MATIC COMMERCIAL PRODUCT WARRANTY**

Bunn-O-Matic Corp. ("BUNN") warrants equipment manufactured by it as follows:

- 1) Airpots, thermal carafes, decanters, GPR servers, iced tea/coffee dispensers, MCP/MCA pod brewers thermal servers and ThermoFresh servers (mechanical and digital)- 1 year parts and 1 year labor.
- 2) All other equipment - 2 years parts and 1 year labor plus added warranties as specified below:
  - a) Electronic circuit and/or control boards - parts and labor for 3 years.
  - b) Compressors on refrigeration equipment - 5 years parts and 1 year labor.
  - c) Grinding burrs on coffee grinding equipment to grind coffee to meet original factory screen sieve analysis - parts and labor for 4 years or 40,000 pounds of coffee, whichever comes first.

These warranty periods run from the date of installation BUNN warrants that the equipment manufactured by it will be commercially free of defects in material and workmanship existing at the time of manufacture and appearing within the applicable warranty period. This warranty does not apply to any equipment, component or part that was not manufactured by BUNN or that, in BUNN's judgment, has been affected by misuse, neglect, alteration, improper installation or operation, improper maintenance or repair, non periodic cleaning and descaling, equipment failures related to poor water quality, damage or casualty. In addition, the warranty does not apply to replacement of items subject to normal use including but not limited to user replaceable parts such as seals and gaskets. This warranty is conditioned on the Buyer 1) giving BUNN prompt notice of any claim to be made under this warranty by telephone at (217) 529-6601 or by writing to Post Office Box 3227, Springfield, Illinois 62708-3227; 2) if requested by BUNN, shipping the defective equipment prepaid to an authorized BUNN service location; and 3) receiving prior authorization from BUNN that the defective equipment is under warranty.

**THE FOREGOING WARRANTY IS EXCLUSIVE AND IS IN LIEU OF ANY OTHER WARRANTY, WRITTEN OR ORAL, EXPRESS OR IMPLIED, INCLUDING, BUT NOT LIMITED TO, ANY IMPLIED WARRANTY OF EITHER MERCHANTABILITY OR FITNESS FOR A PARTICULAR PURPOSE.** The agents, dealers or employees of BUNN are not authorized to make modifications to this warranty or to make additional warranties that are binding on BUNN. Accordingly, statements by such individuals, whether oral or written, do not constitute warranties and should not be relied upon.

If BUNN determines in its sole discretion that the equipment does not conform to the warranty, BUNN, at its exclusive option while the equipment is under warranty, shall either 1) provide at no charge replacement parts and/or labor (during the applicable parts and labor warranty periods specified above) to repair the defective components, provided that this repair is done by a BUNN Authorized Service Representative; or 2) shall replace the equipment or refund the purchase price for the equipment.

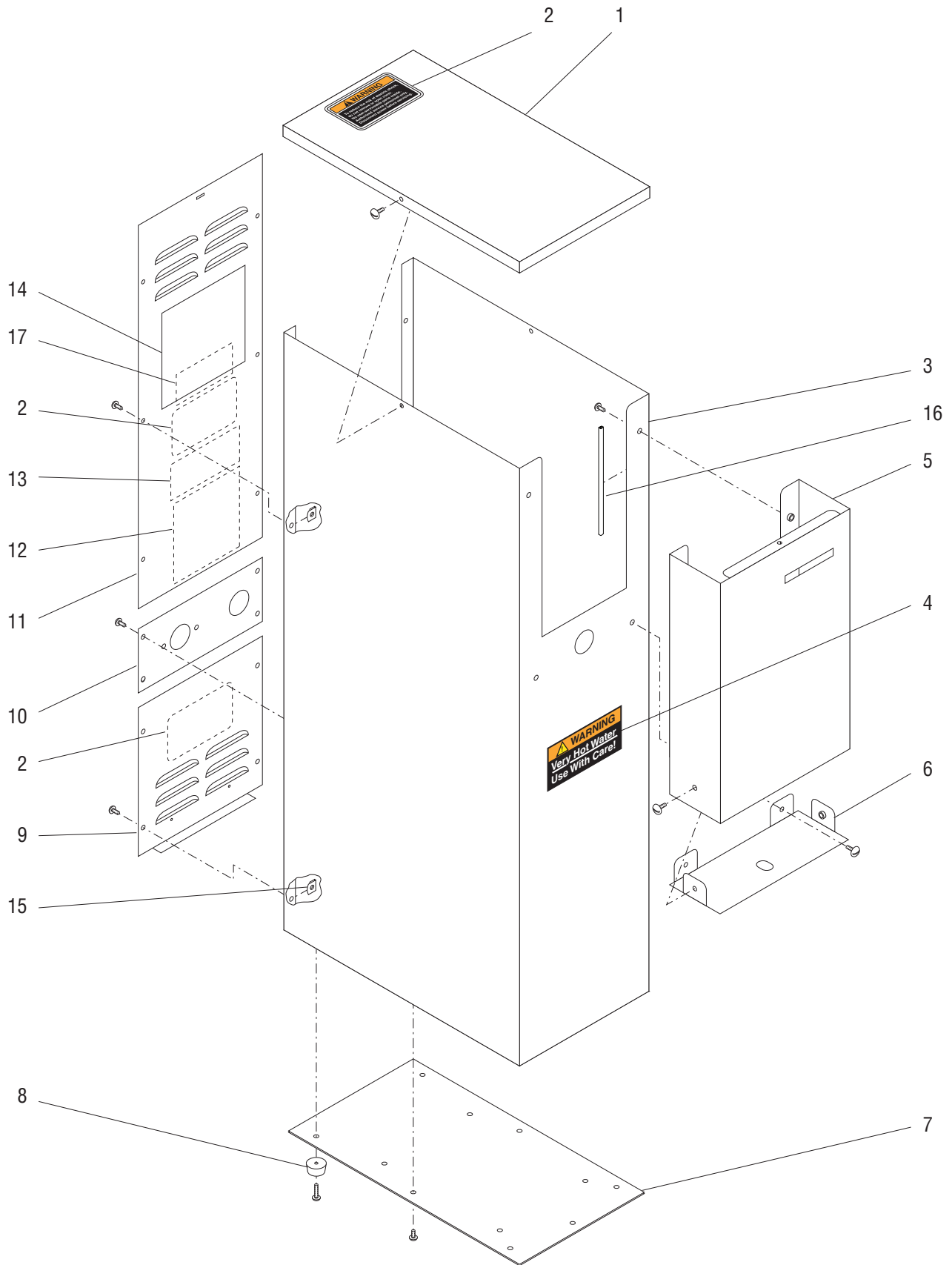
**THE BUYER'S REMEDY AGAINST BUNN FOR THE BREACH OF ANY OBLIGATION ARISING OUT OF THE SALE OF THIS EQUIPMENT, WHETHER DERIVED FROM WARRANTY OR OTHERWISE, SHALL BE LIMITED, AT BUNN'S SOLE OPTION AS SPECIFIED HEREIN, TO REPAIR, REPLACEMENT OR REFUND.**

In no event shall BUNN be liable for any other damage or loss, including, but not limited to, lost profits, lost sales, loss of use of equipment, claims of Buyer's customers, cost of capital, cost of down time, cost of substitute equipment, facilities or services, or any other special, incidental or consequential damages.

392, AutoPOD, AXIOM, BrewLOGIC, BrewMETER, Brew Better Not Bitter, BrewWISE, BrewWIZARD, BUNN Espresso, BUNN Family Gourmet, BUNN Gourmet, BUNN Pour-O-Matic, BUNN, BUNN with the stylized red line, BUNNlink, Bunn-OMatic, Bunn-O-Matic, BUNNserve, BUNNSERVE with the stylized wrench design, Cool Froth, DBC, Dr. Brew stylized Dr. design, Dual, Easy Pour, EasyClear, EasyGard, FlavorGard, Gourmet Ice, Gourmet Juice, High Intensity, iMIX, Infusion Series, Intellisteam, My Café, Phase Brew, PowerLogic, Quality Beverage Equipment Worldwide, Respect Earth, Respect Earth with the stylized leaf and coffee cherry design, Safety-Fresh, savemycoffee.com, Scale-Pro, Silver Series, Single, Smart Funnel, Smart Hopper, SmartWAVE, Soft Heat, SplashGard, The Mark of Quality in Beverage Equipment Worldwide, ThermoFresh, Titan, trifecta, Velocity Brew, A Partner You Can Count On, Air Brew, Air Infusion, Beverage Bar Creator, Beverage Profit Calculator, Brew better, not bitter., BUNNSource, Coffee At Its Best, Cyclonic Heating System, Daypart, Digital Brewer Control, Nothing Brews Like a BUNN, Pouring Profits, Signature Series, Tea At Its Best, The Horizontal Red Line, Ultra are either trademarks or registered trademarks of Bunn-O-Matic Corporation.

# TABLE OF CONTENTS

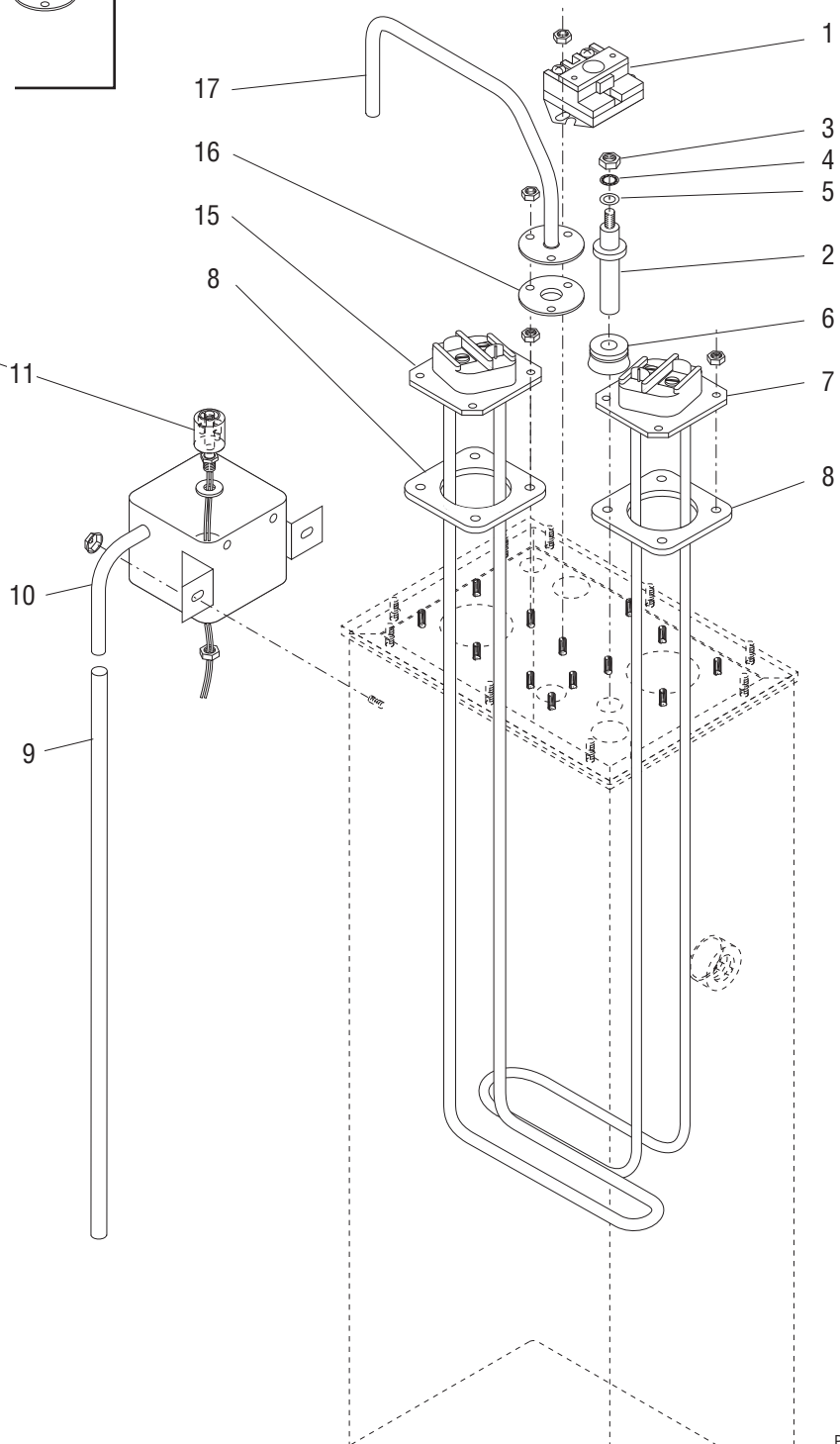
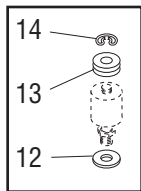
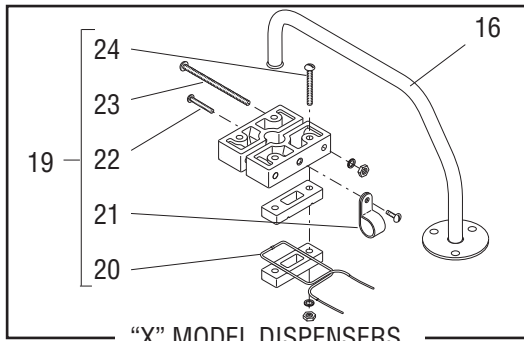
TITLE	PAGE NO.
Housings, Covers & Panels.....	4
Tank, Fill Valve and Dispense Valve (Early Models).....	10
Tank, Fill Valve and Dispense Valve (Late Models).....	8
Electrical Controls.....	14
Numerical Index.....	18
Tank Heater & Overflow Protection Devices (Dual Volt Models).....	6
Tank Heater & Overflow Protection Devices (Dual Volt Models).....	8
Wall Brackets, Drip Tray & Wire Shelf.....	16



## HOUSING, COVERS, AND PANELS

ITEM	PART NO.	QTY.	DESCRIPTION
1	12505.1002	1	Cover W/Decal (Includes item 2)
	01303.0000	3	Screw, Pan Head #4 - 40 X .50"
2	37881.0000	3	Decal, No Serviceable Parts
3	12503.1005	1	Housing W/Decal (Includes item 4)
	12503.1008	1	Housing W/Decal 230V (Includes item 4)
4	12593.0000	1	Decal, Warning Very Hot Water
5	39148.0000	1	Shroud
	01303.0000	2	Screw, Pan Head #4 - 40 X .50"
	01315.0000	2	Screw, Truss Head #8 - 32 x .38"
	00970.0000	2	Nut, Keps #8 - 32
6	39146.0000	1	Bracket, Dispense Valve Support
	01315.0000	2	Screw, Truss Head #8 - 32 x .38"
7	12509.0000	1	Plate, Bottom
	01315.0000	3	Screw, Truss Head #8 - 32 x .38"
8	00731.0000	4	Foot, Rubber
	01390.0000	4	Screw, Round Head #8 - 32 x .62"
9	12506.1001	1	Panel W/Decal, Rear Lower (Includes item 2)
	01311.0000	4	Screw, Truss Head #8 - 32 x .25"
10	12507.0001	1	Panel, Rear Middle
	01311.0000	4	Screw, Truss Head #8 - 32 x .25"
11	12508.1001	1	Panel W/Decals, Rear Upper (Includes items 2, 12, 13 and 14)
	01311.0000	6	Screw, Truss Head #8 - 32 x .25"
12	00831.0000	1	Decal, Warning - Electrical
13	00656.0001	1	Decal, Comply to Plumbing Code
14	39333.0000	1	Schematic, 120V, 120/208V and 120/240V
	39333.0001*	1	Schematic, 230V
15	00917.0000	8	Clip, J-Type #8-32
16	38278.0005*	1	Edging, Adhesive Lined 5.0" (Order item 18)
17	29710.0017	1	Decal, Optional Field Wiring 120V
	29710.0018	1	Decal, Optional Field Wiring Dual Volt
18	38278.1002	-	Edging, Adhesive Lined 36.0"

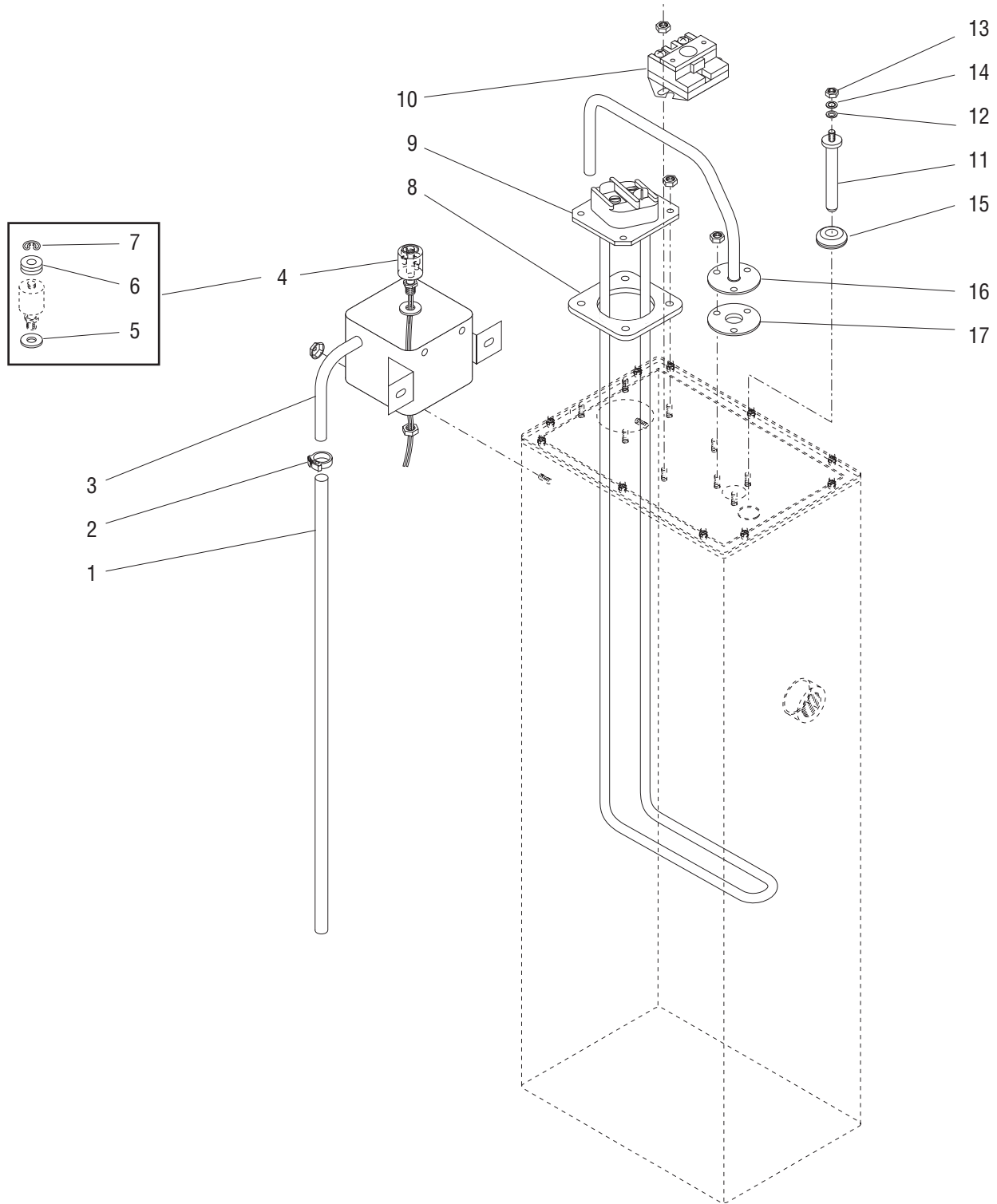
\* Indicates the part number listed is for reference only. See DESCRIPTION for possible service replacement.



## TANK HEATERS & OVERFLOW PROTECTION DEVICES (Dual Volt Models)

ITEM	PART NO.	QTY.	DESCRIPTION
1	23717.0003	1	Thermostat, Limit
	00908.0000	2	Nut, Hex #8 - 32
2	02645.1000	1	Probe Kit, Water Level (Includes items 3, 4, & 5)
3	00908.0000	1	Nut, Hex #8 - 32
4	20203.0100	1	Lockwasher, Internal Tooth #8
5	01501.0000	1	Washer .164" I.D. x .375" O.D.
6	38114.0000	1	Grommet, Silicone W/Flange
7	12524.1000	1	Tank Heater Kit 1800W 120V
	00908.0000	4	Nut, Hex #8 - 32
8	12398.0000	2	Gasket, Tank Heater
9	03236.0010*	1	Tube, Silicone .312" I.D. x 21.50" (Order item 18)
10	22728.0000	1	Overflow Cup Assy (Service replacement for both Aluminum and Copper cups)
	00971.0000	2	Nut, Keps #10 - 32
11	03803.0001	1	Switch Assy, Liquid Level 120V (Includes items 12, 13 & 14) w/o Termianals
	03803.0002	1	Switch Assy, Liquid Level 120V (Includes items 12, 13 & 14) with Termianals
	00946.0000	1	Nut, Hex .125" FPT
12	03633.0000	2	Gasket, Float Switch (Only 1 used in this application)
13	-----	3	Washer, Adjusting (DO NOT USE IN THIS APPLICATION)
14	03807.0000	1	Clip, Spring
15	12322.1000	1	Tank Heater Kit 4000W 240V
	00908.0000	4	Nut, Hex #8 - 32
16	05515.0000	1	Gasket, Overflow Tub
17	12518.0000	1	Tube, Overflow
	12585.0000	1	Tube, Overflow ("X" Model Dispensers)
	00908.0000	3	Nut, Hex #8 - 32
18	03236.1001	-	Tube, Silicone .312" I.D. x 36.0"
19	12586.0000	1	Thermistor Assy (Includes items 20 thru 24) ("X" Model Dispensers only)
20	12551.0000	1	Thermistor
21	41760.0000	1	Clamp, Thermistor
	01382.0000	1	Screw, Truss Head #6 - 32 x .38"
22	01388.0000	1	Screw, Truss Head #6 - 32 X .75"
23	02370.0002	2	Screw, Pan Head #6 - 32 x 2.0"
	01520.0000	2	Lockwasher, Split #6
	00906.0000	2	Nut #6 - 32
24	02370.0001	2	Screw, Pan Head #6 - 32 x 1.25"
	01520.0000	2	Lockwasher, Split #6
	00906.0000	2	Nut #6 - 32

\* Indicates the part number listed is for reference only. See DESCRIPTION for possible service replacement.





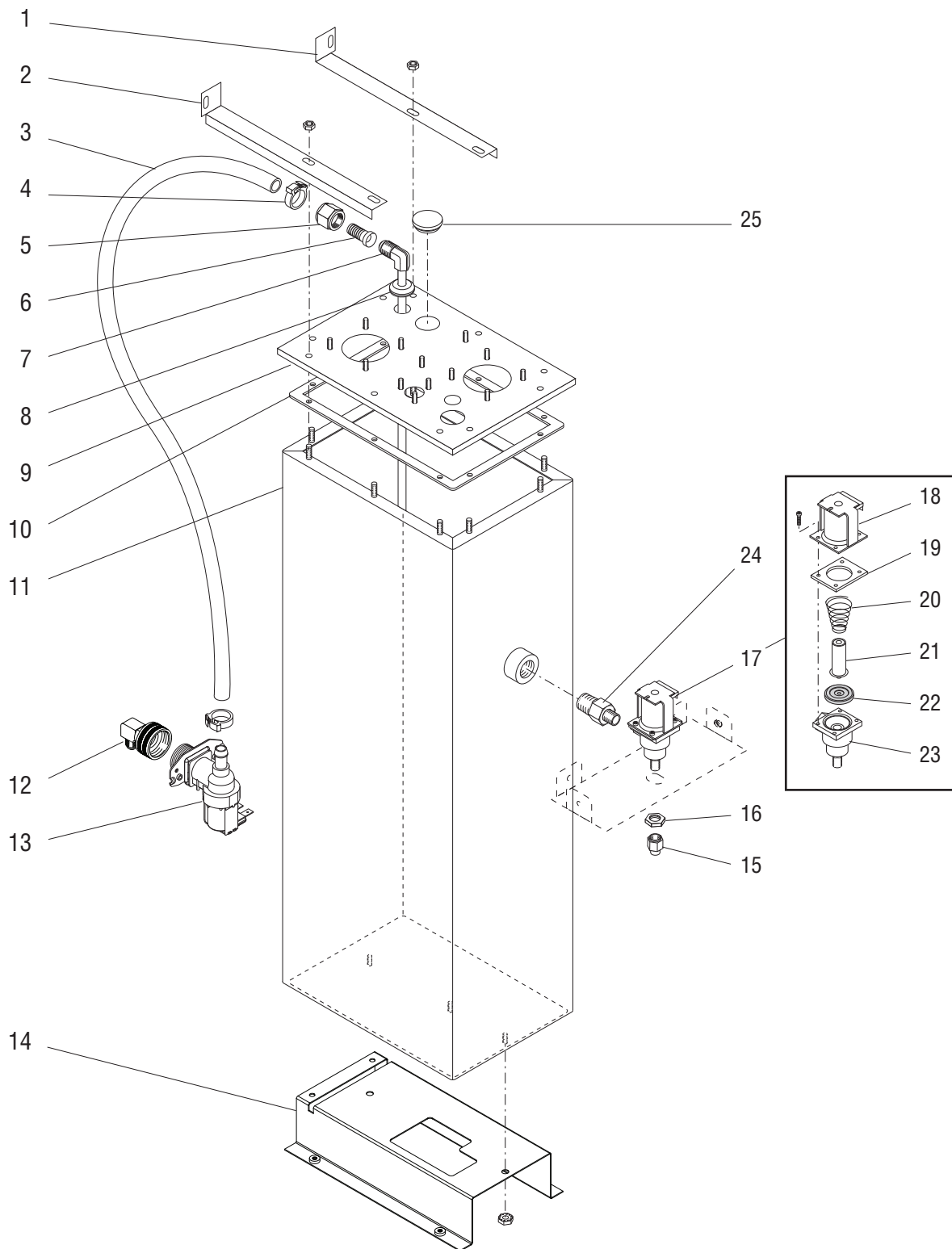
## TANK HEATERS & OVERFLOW PROTECTION DEVICES (230 Volt Models)

ITEM	PART NO.	QTY.	DESCRIPTION
1	03236.0010*	1	Tube, Silicone .312" I.D. x 21.50" (Order item 18)
2	12422.0000	1	Clamp, Hose .47"/.54" I.D.
3	22728.0000	1	Overflow Cup Assy (Service replacement for both Aluminum and Copper cups)
	00971.0000	2	Nut, Keps #10 - 32
4	03803.0002	1	Switch Assy, Liquid Level 230V (Includes items 5, 6 & 7)
	00946.0000	1	Nut, Hex .125" FPT
5	03633.0000	2	Gasket, Float Switch (Only 1 used in this application)
6	-----	3	Washer, Adjusting (DO NOT USE IN THIS APPLICATION)
7	03807.0000	1	Clip, Spring
8	12398.0000	1	Gasket, Tank Heater
9	12322.1000	1	Tank Heater Kit 4000W 230V (Includes item 8)
	00908.0000	4	Nut, Hex #8 - 32
10	23717.0003	1	Thermostat, Limit
	00971.0000	2	Nut, Keps #10 - 32
11	02645.1000	1	Probe Kit, Water Level (Includes items 12, 13, 14 & 15)
12	01501.0000	1	Washer .164" I.D. x .375" O.D.
13	00908.0000	1	Nut, Hex #8 - 32
14	20203.0100	1	Lockwasher, Internal Tooth #8
15	02536.0000	1	Grommet
16	12518.0000	1	Tube, Overflow
	00908.0000	3	Nut, Hex #8 - 32
17	05515.0000	1	Gasket, Overflow Tube

**The following items are not illustrated**

18	03236.1001	-	Tube, Silicone .312" I.D. x 36.0"
----	------------	---	-----------------------------------

\* Indicates the part number listed is for reference only. See DESCRIPTION for possible service replacement.



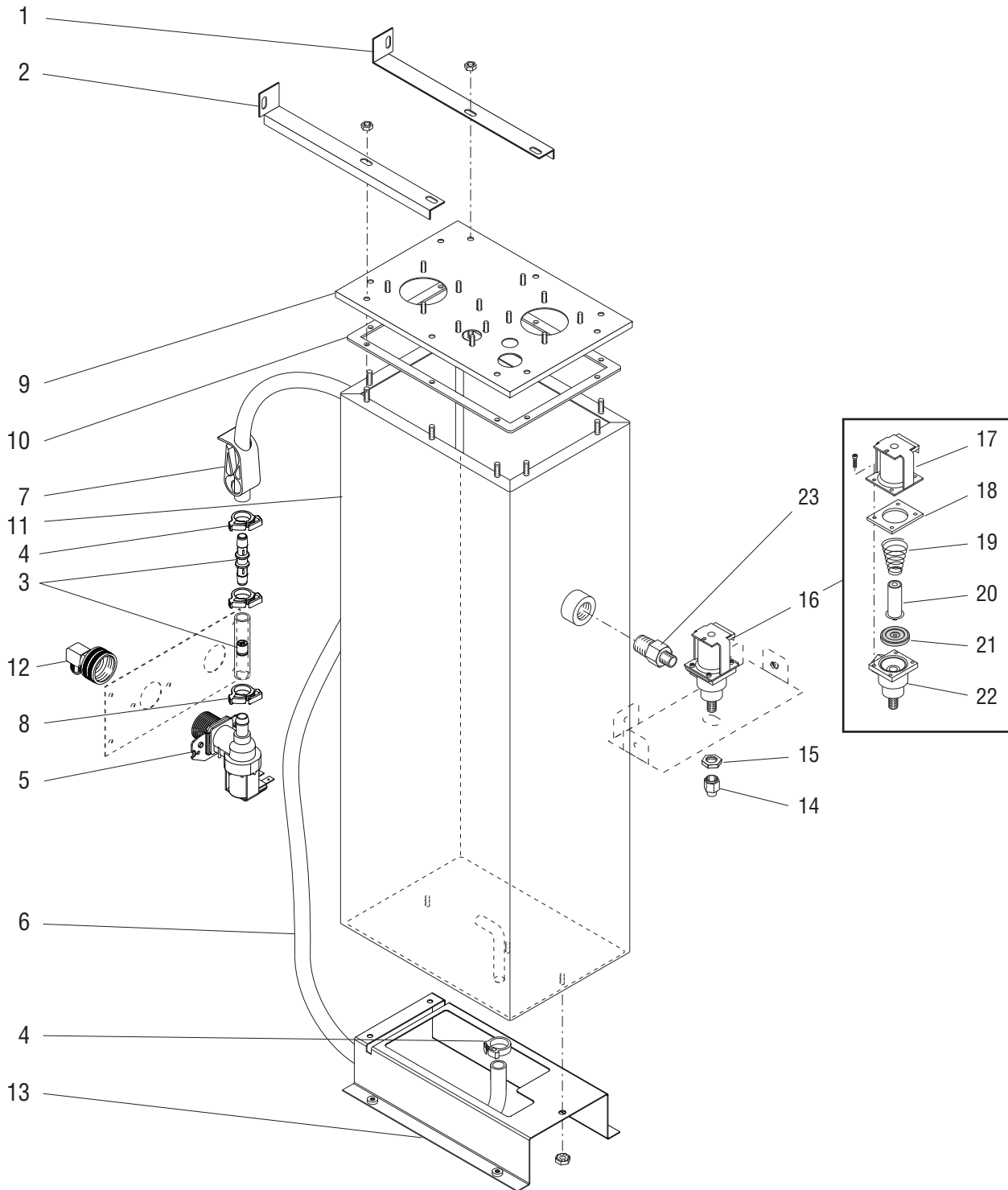
## TANK, FILL VALVE & DISPENSE VALVE (Early Models)

ITEM	PART NO.	QTY.	DESCRIPTION
1	28715.0000*	1	Bracket, Tank Supporting (Right)
2	28715.0001*	1	Bracket, Tank Supporting (Left)
3	20976.0074*	1	Tube, Silicone .375" I.D. x 20.0" (Order item 27)
4	12422.0001	2	Clamp, Hose Snap Type .59"/.66"
5	33150.0000	1	Nut, .375" Flare
6	33686.0000	1	Nipple, Barb .375" Tube
7	20937.0005*	1	Tube Assembly, Fill
8	02536.0000	1	Grommet, Silicone .375" I.D.
9	25922.0002*	1	Lid, Tank - Flanged
	00906.0000	10	Nut #6 - 32
10	12377.0000	1	Gasket, Tank lid
11	25920.0001*	1	Tank - Flanged bottom
12	37297.1006	1	Elbow, .25" Flare x .75" FTHD
13	40506.0016	1	Valve Assy, Inlet 120V
	40506.0015	1	Valve Assy, Inlet 240V
	40506.0017	1	Valve Assy, Inlet 230V CE
	32283.0000	2	Screw Pan Head M4 x 6MM
14	12514.0006	1	Bracket, Tank Mounting
	01315.0000	4	Screw, Truss Head #8-32 x .38"
15	00924.0000	1	Nut, Flare Chrome Plated .25"
16	01075.0000	1	Nut, .438"-20
17	26846.0000	2	Valve Assy, Sprayhead (Includes items 18 thru 23)
18	22305.0000	1	Coil Assy, Dispensing Valve
	23254.0000	4	Screw, #8 - 32
19	23256.0000	1	Spacer Plate
20	-----	1	Spring (Not available order item 26)
21	-----	1	Plunger (Not available order item 26)
22	23255.0000	1	Diaphragm
23	-----	1	Body (Not available order item 17)
24	39222.0000	1	Fitting, .5" NPTF x .25" NPTF
25	12570.0002	1	Grommet, Plug

**The following items are not illustrated**

26	11517.0008	-	Repair Kit, Dispense Valve (Includes one each of spring, plunger and diaphragm)
27	20976.1001	-	Tube, .375" ID x 3' (Use as required)
	20976.1002	-	Tube, .375" ID x 10' (Use as required)
	20976.1004	-	Tube, .375" ID x 250' (Use as required)

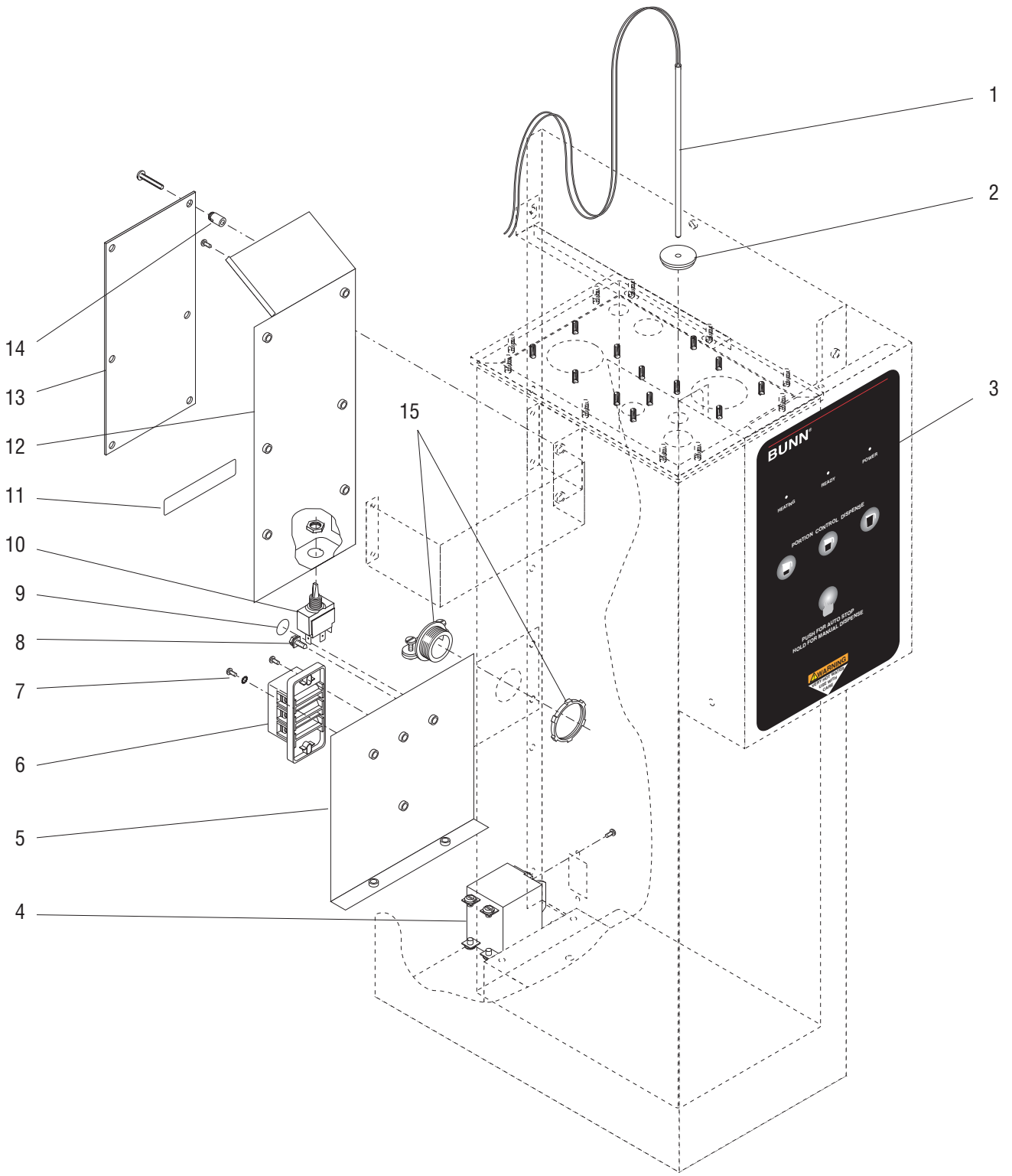
\* Indicates the part number listed is for reference only. See DESCRIPTION for possible service replacement.



## TANK, FILL VALVE & DISPENSE VALVE (Late Models)

ITEM	PART NO.	QTY.	DESCRIPTION
1	28715.0000*	1	Bracket, Tank Supporting (Right)
2	28715.0001*	1	Bracket, Tank Supporting (Left)
3	41716.1004	1	Tube Assembly w/Check Valve .375" I.D. x 16.0"
	36378.0001	1	Check Valve
4	12422.0001	2	Clamp, Hose Snap Type .59"/.66"
5	40506.0016	1	Valve Assy, Inlet 120V
	40506.0015	1	Valve Assy, Inlet 240V
	40506.0017	1	Valve Assy, Inlet 230V CE
	32283.0000	2	Screw, Pan Head M4 x 6mm
6	20976.0079*	1	Tube, Silicone .375" ID X 38" LG
7	11630.0001	1	Clamp, Shut Off
8	12422.0005	1	Clamp, SNP-12
9	25922.0004	1	Lid, Tank - Flanged
	25922.0003	1	Lid, Tank - Flanged 230V Models
	00906.0000	10	Nut #6 - 32
10	12377.0000	1	Gasket, Tank lid
11	25920.0004	1	Tank - Flanged bottom
12	37297.1006	1	Elbow, .25" Flare x .75" FTHD
13	12514.0005	1	Bracket, Tank Mounting
	01315.0000	4	Screw, Truss Head #8-32 x .38"
14	00924.0000	1	Nut, Flare Chrome Plated .25"
15	01075.0000	1	Nut, .438"-20
16	26846.0000	1	Valve Assy,
	26846.0002	1	Valve Assy,
17	22305.0000	1	Coil Assy, 120V
	22305.0002	1	Coil Assy, 230V
	23254.0000	4	Screw, #8 - 32
18	23256.0000	1	Spacer Plate
19	-----	1	Spring (Not available order item 24)
20	-----	1	Plunger (Not available order item 24)
21	23255.0000	1	Diaphragm
22	-----	1	Body (Not available order item 16)
23	39222.0000	1	Fitting, .5" NPTF x .25" NPTF
<b>The following items are not illustrated</b>			
24	11517.0008	-	Repair Kit, Dispense Valve (Includes one each of spring, plunger and diaphragm)
25	20976.1001	-	Tube, .375" ID x 3' (Use as required)
	20976.1002	-	Tube, .375" ID x 10' (Use as required)
	20976.1004	-	Tube, .375" ID x 250' (Use as required)

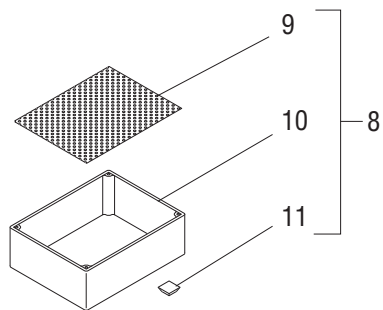
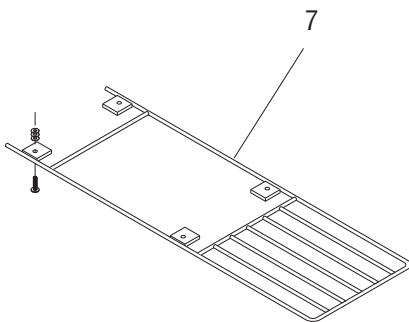
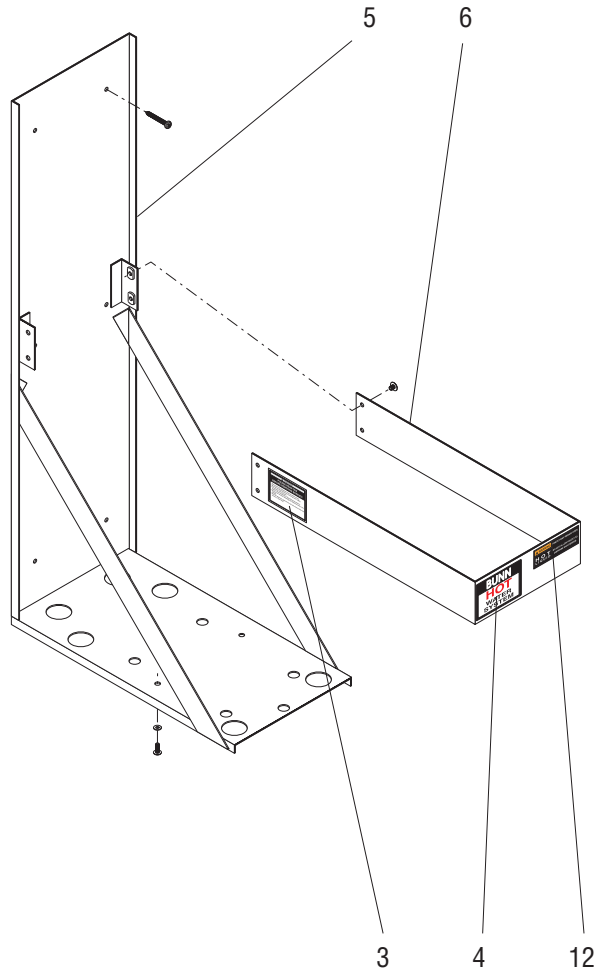
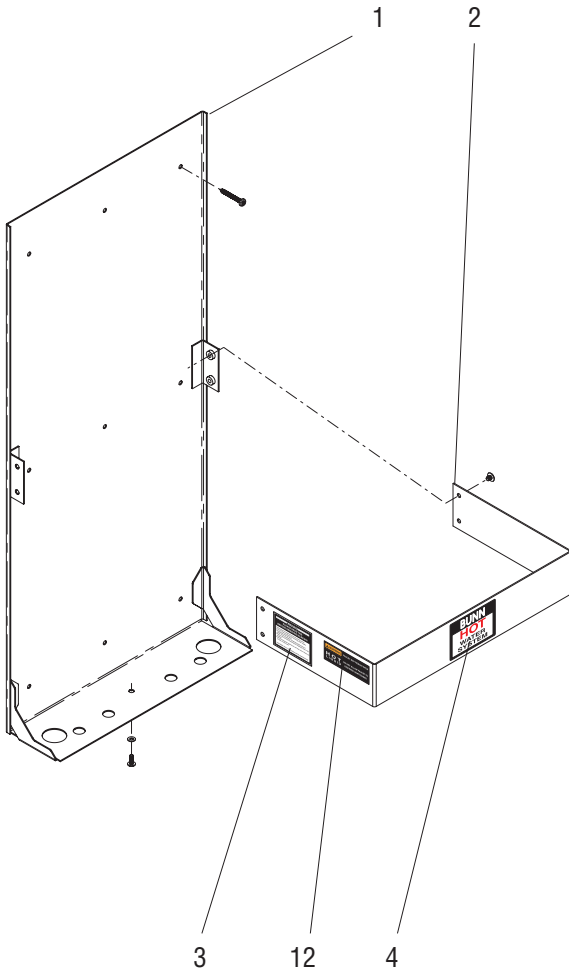
\* Indicates the part number listed is for reference only. See DESCRIPTION for possible service replacement.



## ELECTRICAL CONTROLS

ITEM	PART NO.	QTY.	DESCRIPTION
1	12568.0007	1	Sensor, Temperature
2	12570.0000	1	Grommet, Thermostat
3	39168.0000	1	Membrane Switch
	01503.0000	1	Washer, .25" I.D.
	00970.0000	1	Nut, Keps #8-32
4	38894.0001	1	Switch, Main Power
	01308.0002	2	Screw, Truss Head #6-32 x .25" Lkg
	01327.0000	4	Screw, Pan Head #10-32 x .375"
	01512.0000	4	Lockwasher, Ext T #10
5	12512.0005	1	Bracket, Component Mounting DV
	12512.0004	1	Bracket, Component Mounting 230V
	01315.0000	2	Screw, Truss Head #8-32 x .375"
6	07038.0000	1	Terminal Block, 3 Pole DV
	01106.0000	1	Terminal Block, 2 Pole 230V
	01317.0000	2	Screw, Truss Head #8 - 32 x .50"
7	01327.0000	1	Screw, Ground Pan Head #10-32 x .375"
	01512.0000	1	Lockwasher, Ext T #10
8	01309.0000	1	Ground Screw W/Terminal Washer #10 - 32 x .50" (Early Models)
	37804.0000	1	Ground Screw W/Terminal Washer #8 - 32 x .50" (Late Models)
9	00824.0000	1	Decal, Ground
10	23522.1001	1	Switch, Toggle (Includes Mounting Nut)
11	34056.0000	1	Decal, Switch DV
12	39217.0000	1	Bracket, Control Board Mounting
	02308.0000	2	Screw, Pan Head #8 - 32 x .375"
13	40697.1000	1	Control Board, Digital 120V & 240V
	40697.1001	1	Control Board, Digital 230V CE
	01388.0000	6	Screw, Truss Head #6-32 x .75"
14	29081.0000	6	Spacer, Control Board
15	01590.0000	1	Connector, Cable .75" NPS DV
	32833.1000	1	Strain Relief 230V
<b>The following items are not illustrated</b>			
16	39357.0000	1	Wiring Harness, Membrane Switch to Control Board
17	12576.0003	1	Wiring Harness, Main DV (Float Switch w/Wire Nuts)
	12576.0012	1	Wiring Harness, Main DV (Float Switch w/Spade Terminals)
	12576.0006	1	Wiring Harness, Main 230V
18	38920.0000	1	Wiring harness, Switch to Terminal Block DV
19	29446.0000	1	EMI Filter 230V
	01311.0000	2	Screw
20	27705.0000	1	Terminal Lug 230V
	01512.0000	1	Lockwasher
	23531.0000	1	Screw
21	01638.0000	1	Cord, Power 12/3 SJO-NEMA 5-20P (Models w/Factory Installed 20 A Cord Only)

\* Indicates the part number listed is for reference only. See DESCRIPTION for possible service replacement.





## WALL BRACKETS, DRIP TRAY & WIRE SHELF

ITEM	PART NO.	QTY.	DESCRIPTION
1	12544.0000* 02334.0000	1 9	Wall Bracket, Side Mounting (Order item 13) Screw, Pan Head Phillips #10 x 1.50"
2	24737.0000 01326.0000	1 4	Support Strap W/Decals (Includes items 3, 4 & 12) Screw, Truss Head #10 - 32 x .25"
3	12556.0000	2	Decal, Caution Dispenser Removal
4	00657.0002	11	Decal, Bunn Hot Water
5	13126.0000* 02334.0000	1 6	Wall Bracket, Front Mounting (Order item 14) Screw, Pan Head Phillips #10 x 1.50"
6	24736.0000 01326.0000	1 4	Support Strap W/Decals (Includes items 3, 4 & 12) Screw, Truss Head #10 - 32 x .25"
7	12599.0000 01503.0000 01370.0000	1 12 4	Wire Shelf Kit (Includes mounting hardware) Washer, Flat .25" I.D. x .56" O.D. (Use as required) Screw, Pan Head #8 - 32 x .75"
8	02497.0000	1	Drip Tray Assy (Includes items 9 thru 11)
9	02546.0000	1	Cover, Drip Tray
10	02545.0000	1	Drip Tray
11	02547.0000	4	Foot, Rubber
12	12538.0000	1	Decal, Caution - Hot Liquid
13	12542.0000	1	Kit, Wall Bracket (Side Mounting) (Includes items 1, 2 and 12)
14	13125.0001	1	Kit, Wall Bracket (Front Mounting) (Includes items 5, 6 and 12)

\* Indicates the part number listed is for reference only. See DESCRIPTION for possible service replacement.

## NUMERICAL INDEX

PART NO.	PAGE NO.	PART NO.	PAGE NO.	PART NO.	PAGE NO.	PART NO.	PAGE NO.
00656.0001	5	12422.0005	13	26846.0002	13		
00657.0002	17			27705.0000	15		
00731.0000	5	12503.1005	5	28715.0000	11,13		
00824.0000	15	12503.1008	5	28715.0001	11,13		
00831.0000	5	12505.1002	5	29081.0000	15		
00906.0000	7,11,13	12506.1001	5	29446.0000	15		
00908.0000	7,9	12507.0001	5	29710.0017	5		
00917.0000	5	12508.1001	5	29710.0018	5		
00924.0000	11,13	12509.0000	5	32283.0000	11,13		
00946.0000	7	12512.0004	15	32833.1000	15		
00970.0000	5,15	12512.0005	15	33150.0000	11		
00971.0000	7	12514.0005	13	33686.0000	11		
01075.0000	11,13	12514.0006	11	34056.0000	15		
01106.0000	15	12518.0000	7,9	36378.0001	13		
01303.0000	5	12524.1000	7	37297.1006	11,13		
01308.0002	15	12538.0000	17	37804.0000	15		
01309.0000	15	12542.0000	17	37881.0000	5		
01311.0000	5,15	12544.0000	17	38114.0000	7		
01315.0000	5,13,15	12551.0000	7	38278.0005	5		
01317.0000	15	12556.0000	17	38278.1002	5		
01326.0000	17	12568.0007	15	38894.0001	15		
01327.0000	15	12570.0000	15	38920.0000	15		
01370.0000	17	12570.0002	11	39146.0000	5		
01382.0000	7	12576.0003	15	39148.0000	5		
01388.0000	7,15	12576.0006	15	39168.0000	15		
01390.0000	5	12576.0012	15	39217.0000	15		
01501.0000	7,9	12585.0000	7	39222.0000	11,13		
01503.0000	15,17	12586.0000	7	39333.0000	5		
01512.0000	15	12593.0000	5	39333.0001	5		
01520.0000	7	12599.0000	17	39357.0000	15		
01590.0000	15	13125.0001	17	40506.0016	11,13		
01638.0000	15	13126.0000	17	40506.0017	11,13		
02308.0000	15	20203.0100	7,9	40697.1000	15		
02334.0000	17	20937.0005	11	40697.1001	15		
02370.0001	7	20976.0074	11	41716.1004	13		
02370.0002	7	20976.0079	13	41760.0000	7		
02497.0000	17	20976.1001	11,13				
02536.0000	9,11	20976.1002	11,13				
02545.0000	17	20976.1004	11,13				
02546.0000	17	22305.0000	11,13				
02547.0000	17	22305.0002	13				
02645.1000	7,9	22728.0000	7,9				
03236.0010	7,9	23254.0000	11,13				
03236.1001	7,9	23255.0000	11,13				
03633.0000	7,9	23256.0000	11,13				
03803.0001	7	23522.1001	15				
03803.0002	7,9	23531.0000	15				
03807.0000	7,9	23717.0003	7,9				
05515.0000	7,9	24736.0000	17				
07038.0000	15	24737.0000	17				
11517.0008	11,13	25920.0001	11				
11630.0001	13	25920.0004	13				
12322.1000	7,9	25922.0002	11				
12377.0000	11,13	25922.0003	13				
12398.0000	7,9	25922.0004	13				
12422.0001	11,13	26846.0000	11,13				