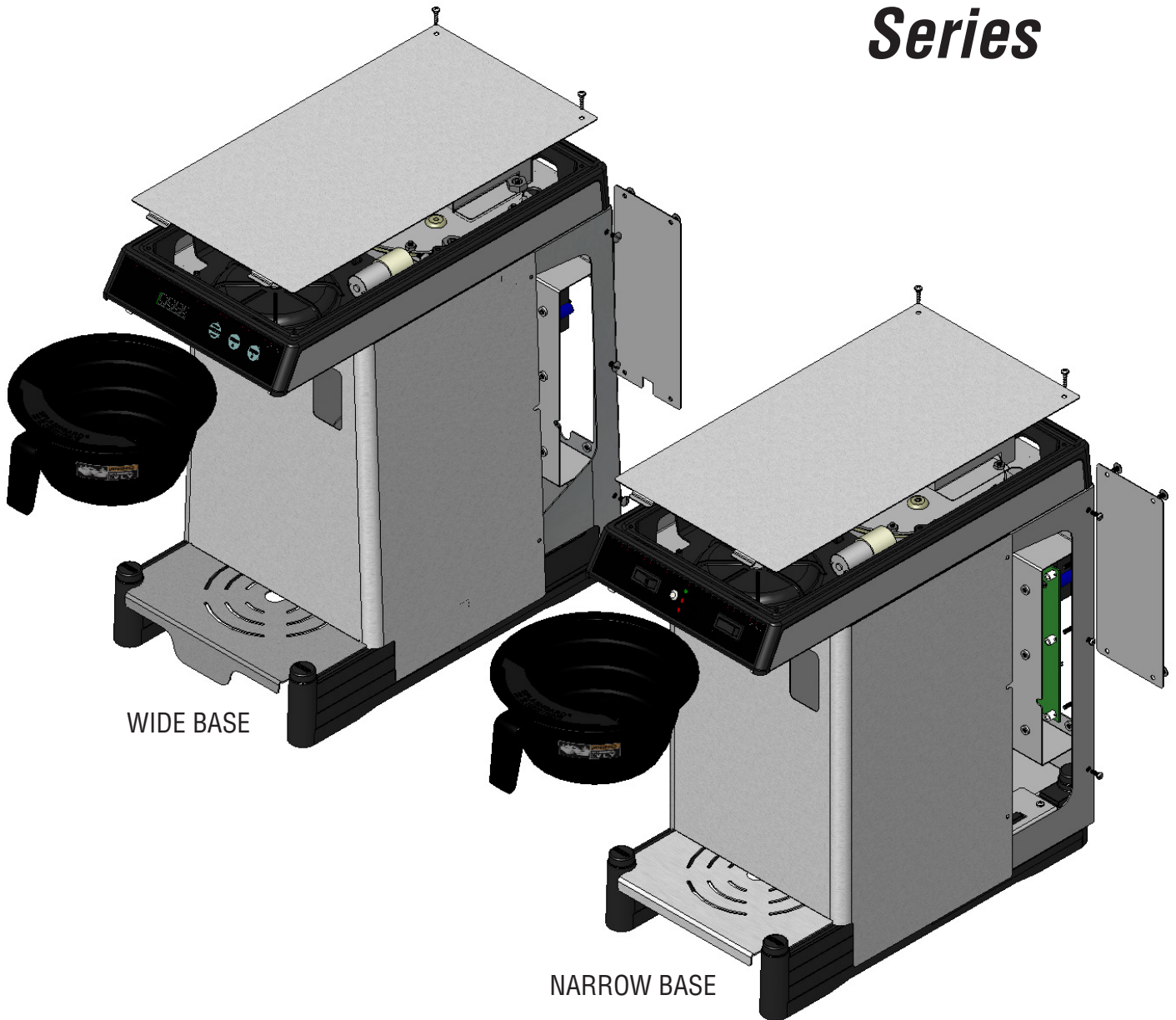


# BUNN®

# SMART WAVE® Series



## ILLUSTRATED PARTS CATALOG

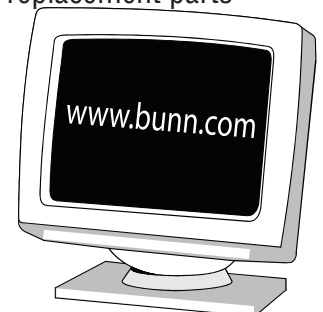
Designs, materials, weights, specifications, and dimensions for equipment or replacement parts are subject to change without notice.

**BUNN-O-MATIC CORPORATION**

POST OFFICE BOX 3227

SPRINGFIELD, ILLINOIS 62708-3227

PHONE: (217) 529-6601 FAX: (217) 529-6644



## BUNN-O-MATIC COMMERCIAL PRODUCT WARRANTY

Bunn-O-Matic Corp. ("BUNN") warrants equipment manufactured by it as follows:

- 1) Airpots, thermal carafes, decanters, GPR servers, iced tea/coffee dispensers, MCP/MCA pod brewers thermal servers and Thermofresh servers (mechanical and digital)- 1 year parts and 1 year labor.
- 2) All other equipment - 2 years parts and 1 year labor plus added warranties as specified below:
  - a) Electronic circuit and/or control boards - parts and labor for 3 years.
  - b) Compressors on refrigeration equipment - 5 years parts and 1 year labor.
  - c) Grinding burrs on coffee grinding equipment to grind coffee to meet original factory screen sieve analysis - parts and labor for 4 years or 40,000 pounds of coffee, whichever comes first.

These warranty periods run from the date of installation BUNN warrants that the equipment manufactured by it will be commercially free of defects in material and workmanship existing at the time of manufacture and appearing within the applicable warranty period. This warranty does not apply to any equipment, component or part that was not manufactured by BUNN or that, in BUNN's judgment, has been affected by misuse, neglect, alteration, improper installation or operation, improper maintenance or repair, non periodic cleaning and descaling, equipment failures related to poor water quality, damage or casualty. In addition, the warranty does not apply to replacement of items subject to normal use including but not limited to user replaceable parts such as seals and gaskets. This warranty is conditioned on the Buyer 1) giving BUNN prompt notice of any claim to be made under this warranty by telephone at (217) 529-6601 or by writing to Post Office Box 3227, Springfield, Illinois 62708-3227; 2) if requested by BUNN, shipping the defective equipment prepaid to an authorized BUNN service location; and 3) receiving prior authorization from BUNN that the defective equipment is under warranty.

**THE FOREGOING WARRANTY IS EXCLUSIVE AND IS IN LIEU OF ANY OTHER WARRANTY, WRITTEN OR ORAL, EXPRESS OR IMPLIED, INCLUDING, BUT NOT LIMITED TO, ANY IMPLIED WARRANTY OF EITHER MERCHANTABILITY OR FITNESS FOR A PARTICULAR PURPOSE.** The agents, dealers or employees of BUNN are not authorized to make modifications to this warranty or to make additional warranties that are binding on BUNN. Accordingly, statements by such individuals, whether oral or written, do not constitute warranties and should not be relied upon.

If BUNN determines in its sole discretion that the equipment does not conform to the warranty, BUNN, at its exclusive option while the equipment is under warranty, shall either 1) provide at no charge replacement parts and/or labor (during the applicable parts and labor warranty periods specified above) to repair the defective components, provided that this repair is done by a BUNN Authorized Service Representative; or 2) shall replace the equipment or refund the purchase price for the equipment.

**THE BUYER'S REMEDY AGAINST BUNN FOR THE BREACH OF ANY OBLIGATION ARISING OUT OF THE SALE OF THIS EQUIPMENT, WHETHER DERIVED FROM WARRANTY OR OTHERWISE, SHALL BE LIMITED, AT BUNN'S SOLE OPTION AS SPECIFIED HEREIN, TO REPAIR, REPLACEMENT OR REFUND.**

In no event shall BUNN be liable for any other damage or loss, including, but not limited to, lost profits, lost sales, loss of use of equipment, claims of Buyer's customers, cost of capital, cost of down time, cost of substitute equipment, facilities or services, or any other special, incidental or consequential damages.

392, AutoPOD, AXIOM, BrewLOGIC, BrewMETER, Brew Better Not Bitter, BrewWISE, BrewWIZARD, BUNN Espresso, BUNN Family Gourmet, BUNN Gourmet, BUNN Pour-O-Matic, BUNN, BUNN with the stylized red line, BUNNlink, Bunn-O-Matic, Bunn-O-Matic, BUNNserve, BUNNSERVE with the stylized wrench design, Cool Froth, DBC, Dr. Brew stylized Dr. design, Dual, Easy Pour, EasyClear, EasyGard, FlavorGard, Gourmet Ice, Gourmet Juice, High Intensity, iMIX, Infusion Series, Intellisteam, My Café, Phase Brew, PowerLogic, Quality Beverage Equipment Worldwide, Respect Earth, Respect Earth with the stylized leaf and coffee cherry design, Safety-Fresh, savemycoffee.com, Scale-Pro, Silver Series, Single, Smart Funnel, Smart Hopper, SmartWAVE, Soft Heat, SplashGard, The Mark of Quality in Beverage Equipment Worldwide, ThermoFresh, Titan, trifecta, Velocity Brew, A Partner You Can Count On, Air Brew, Air Infusion, Beverage Bar Creator, Beverage Profit Calculator, Brew better, not bitter., BUNNSource, Coffee At Its Best, Cyclonic Heating System, Daypart, Digital Brewer Control, Nothing Brews Like a BUNN, Pouring Profits, Signature Series, Tea At Its Best, The Horizontal Red Line, Ultra are either trademarks or registered trademarks of Bunn-O-Matic Corporation.

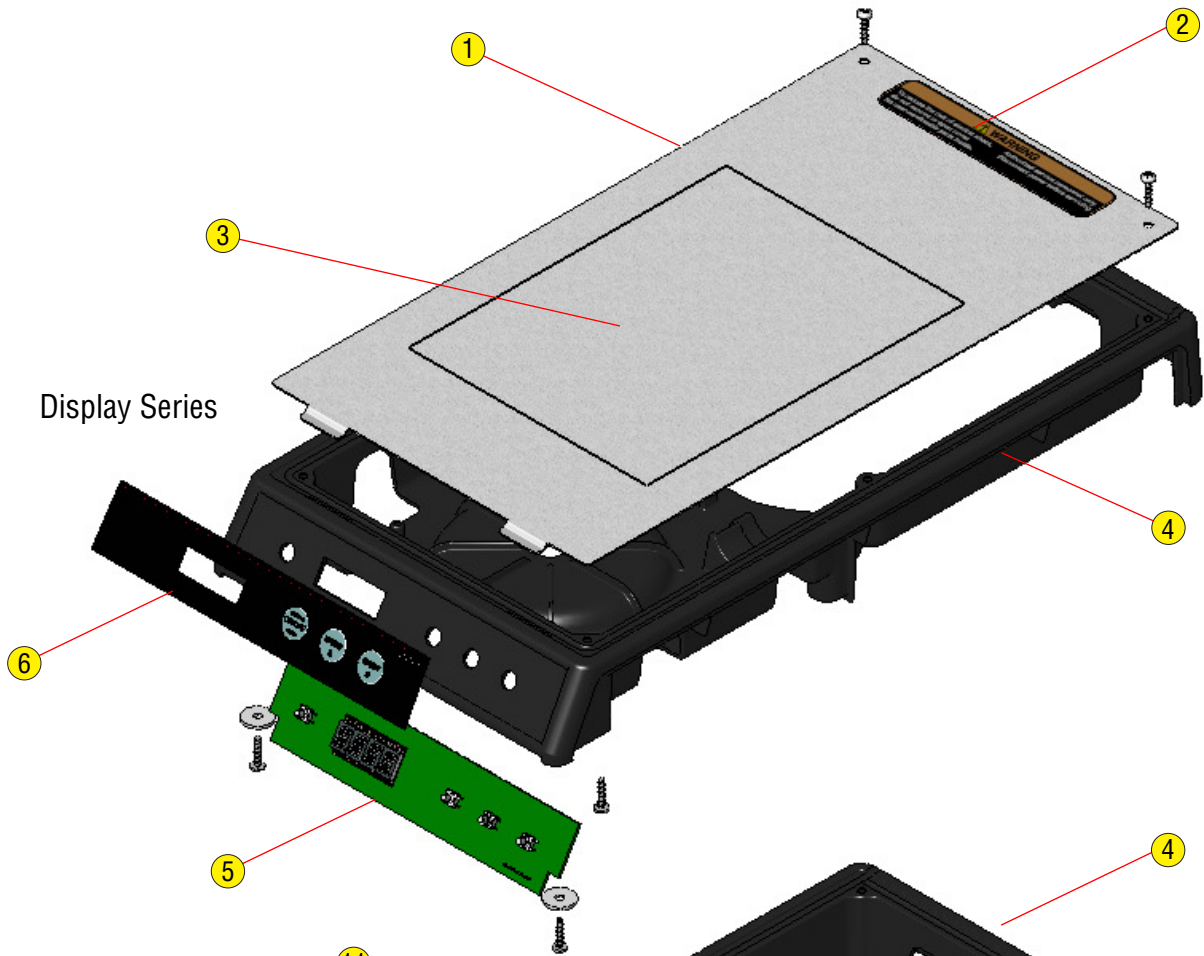
## TABLE OF CONTENTS

HOOD ASSEMBLIES .....	4
TRUNK, FAUCET & BASE .....	6
REAR FRAME & INLET FIRST STYLE.....	8
REAR FRAME & INLET SECOND STYLE .....	10
TANK AND COMPONENTS .....	12
NUMERICAL INDEX .....	14

**To order coffee filters, water filters, or other accessories, refer to Specification Sheets at [www.bunn.com](http://www.bunn.com)**

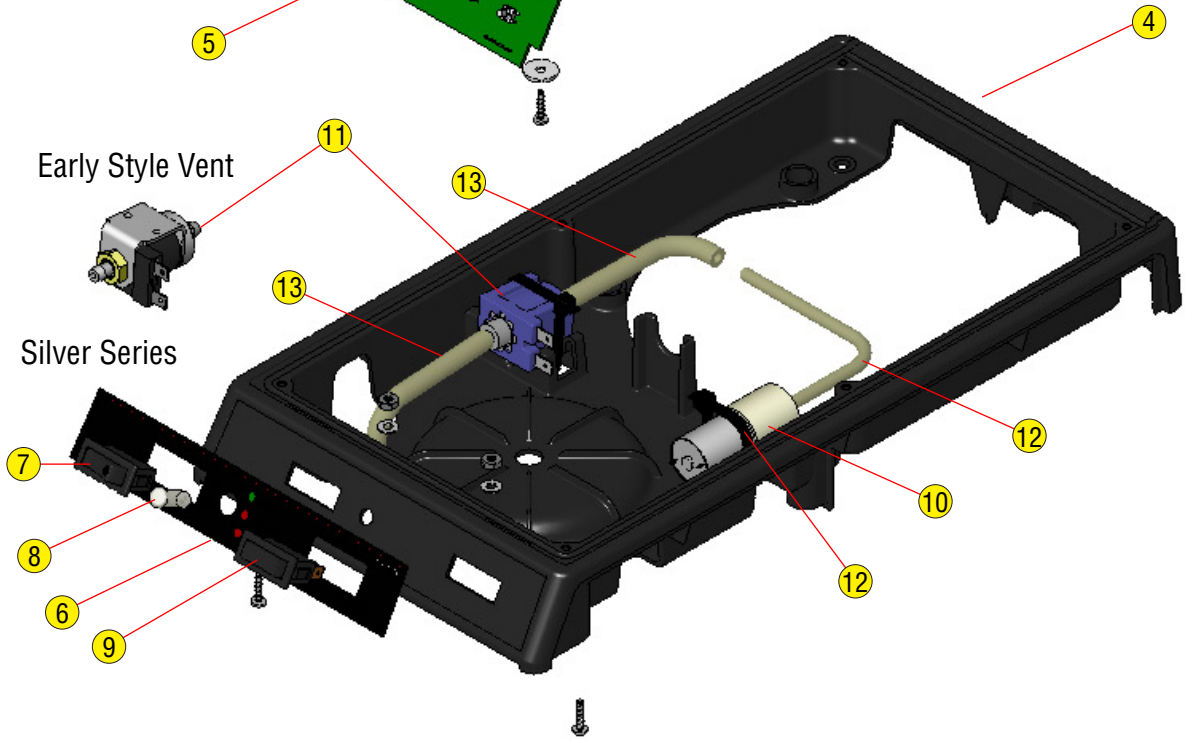
Fraction	Decimal		Fraction	Decimal
<b>1/16</b>	0.063		<b>9/16</b>	0.563
<b>1/8</b>	0.125		<b>5/8</b>	0.625
<b>3/16</b>	0.188		<b>11/16</b>	0.688
<b>1/4</b>	0.250		<b>3/4</b>	0.750
<b>5/16</b>	0.313		<b>13/16</b>	0.813
<b>3/8</b>	0.375		<b>7/8</b>	0.875
<b>7/16</b>	0.438		<b>15/16</b>	0.938
<b>1/2</b>	0.500		<b>1</b>	1.000

Display Series



Early Style Vent

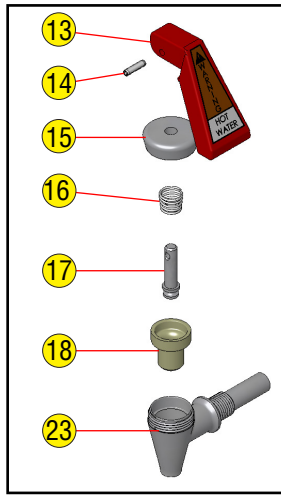
Silver Series



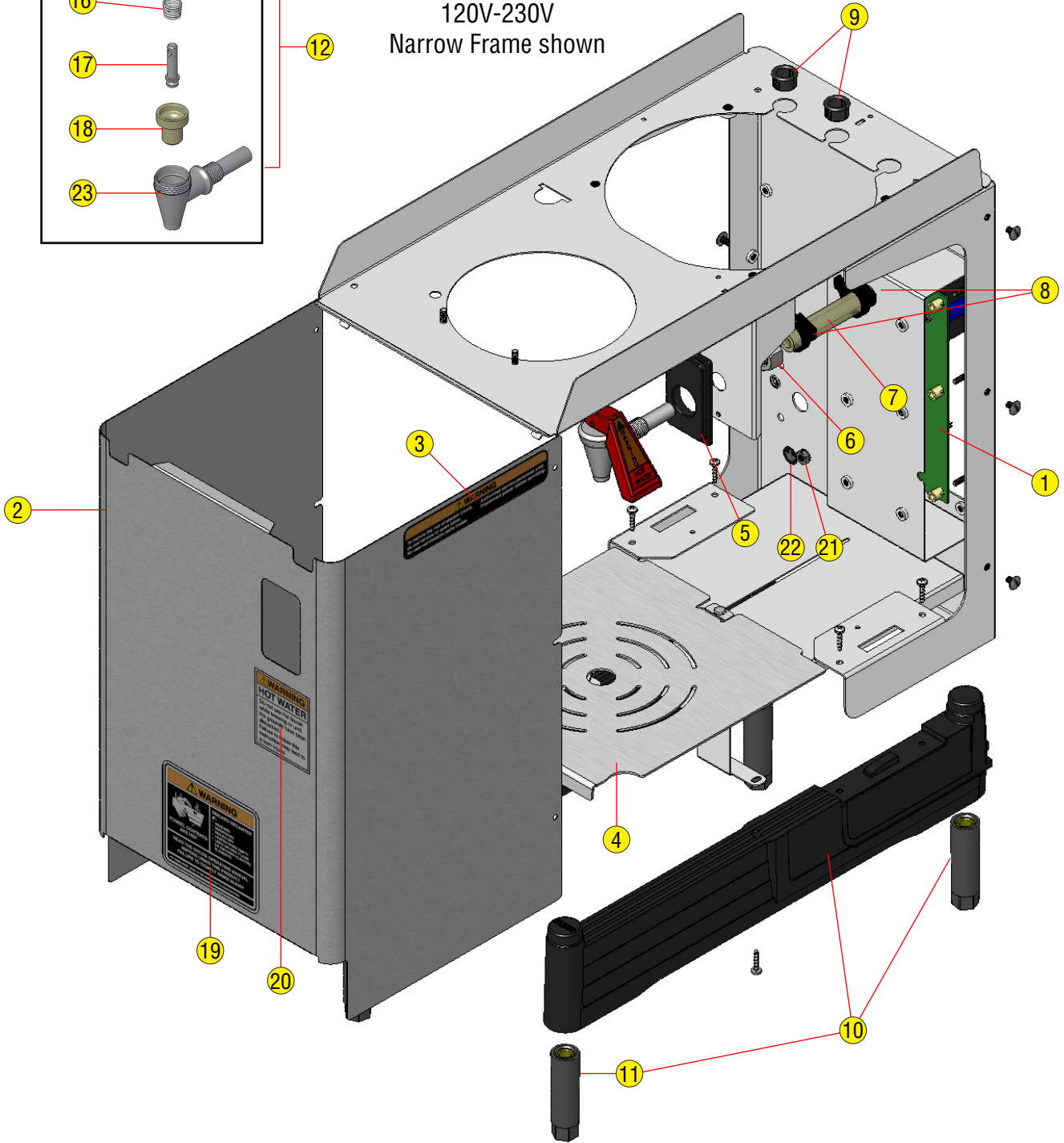
## HOOD ASSEMBLIES

ITEM	PART NO.	QTY. DISPLAY	QTY. SILVER	DESCRIPTION
1	40152.1000	1	1	Cover, (Includes Item 2)
	01360.0001	2	2	Screw # 8-32 x .375"
2	37881.0002	1	1	Decal, No User Serviceable Parts
3	40405.0001	1	1	Schematic 230V
	40405.0002	1	1	Schematic 120V/240V
	40405.0003	1	1	Schematic 100V & 120V
4	39661.0000	-	1	Hood (Silver Series)
	39661.0001	1	-	Hood (Display)
	44646.0001	2	2	Screw # 8-32 x .375"
	00908.0000	2	2	Nut #8-32
	01501.0000	3	3	Washer
5	39955.1000	1	-	Display Board
	01360.0001	2	-	Screw # 8-32 x .375"
	40608.0000	2	-	Washer
6	40201.0000	-	1	Decal, Silver Series
	40202.0000	1	-	Decal, Display Series
7	40310.0000	-	1	Switch, Enable Brew ON/OFF
8	40298.0000	-	1	LED
9	40309.0000	-	1	Switch, Brew Start
10	38316.1000	1	1	Air Pump (Includes 2 Cable Ties)
11	39984.1000	1	1	Vent Solenoid (Includes Cable Ties) Early Style
	36329.0002*	1	1	Cable Tie
	39984.1001	1	1	Vent Solenoid (Includes Cable Ties) Later Style
	36329.0004*	1	1	Cable Tie
12	36630.0000	1	1	Tube .125" ID x 6.0" LG
13	36631.0000	2	2	Tube .188" ID x 4.0" LG
<b>The Following Items Are Not Illustrated</b>				
14	36671.0003	1	-	Decals, Flavor/Batch
15	40167.0001	1	1	Wiring Harness, CBA To Vent, Pump, Level Probe
16	40168.0001	-	1	Wiring Harness, CBA To Switches
17	40173.0000	1	1	Wiring Harness, Main 120V (Includes 1 Limit Thermostat)
	40173.0001	1	1	Wiring Harness, Main 230V (Includes 2 Limit Thermostats)
	40173.0002	1	1	Wiring Harness, Main 120V/240V (Includes 1 Limit Thermostat)
18	40378.0001	1	-	Wiring Harness, CBA To Display Board

\* Indicates the part number listed is for reference only. See DESCRIPTION for possible service replacement.



120V-230V  
Narrow Frame shown



**TRUNK, FAUCET & BASE**

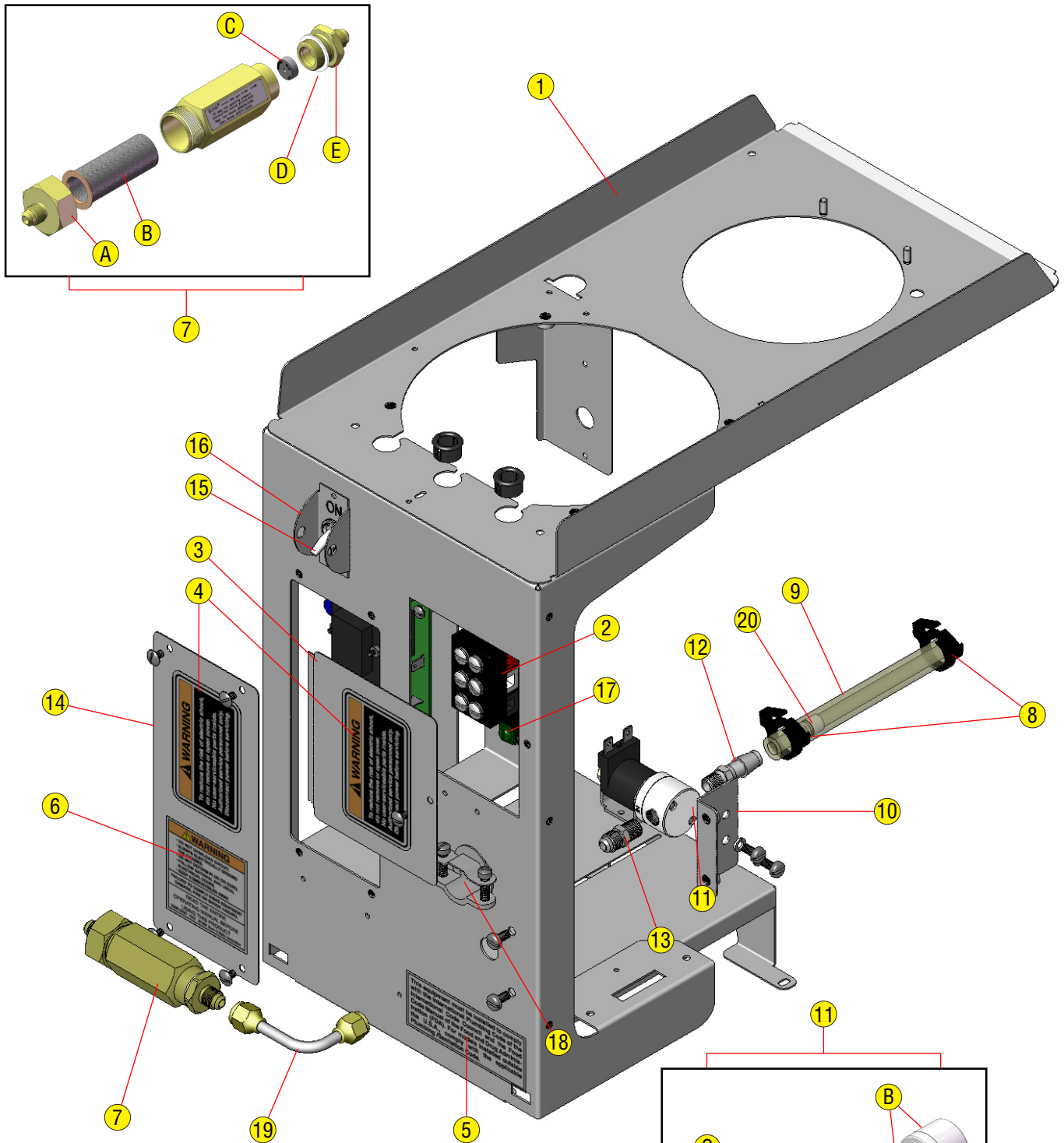
ITEM	PART NO.	QTY. DISPLAY	QTY. SILVER	DESCRIPTION
1	39658.1002	1	1	Control Board Assy. 120V
	39658.1003	1	1	Control Board Assy. 240V RoHS
	29081.0002	6	6	Spacer
	02367.0000	6	6	Screw Truss head #6-32 x .625"
2	40153.1000	1	1	Front Cover w/Decals (Narrow)
	41691.1000	1	1	Front Cover w/Decals (Wide)
	41691.1001	1	1	Front Cover w/Decals (Wide) w/o Faucet Hole
	01308.0000	6	6	Screw Truss head #6-32 x .25"
3	37881.0002	1	1	Decal, No User Serviceable Parts
4	40273.0000	1	1	Booster Plate (Narrow)
	40273.0001	1	1	Booster Plate (Wide)
5	39974.0000	1	1	Bezel, Faucet
	40374.0000	2	2	Ring, Self Locking
6	29264.0000	1	1	Nut, Faucet
7	28526.0035*	1	1	Tube, .313" ID x 3.5" LG (Order # 24)
8	12422.0006	2	2	Clamp, SNP - 8
9	00614.0000	2	2	Bushing
10	39703.1000	2	2	Leg Assy. (Includes 2 Feet Assy.)
	44646.0001	6	6	Screw, Tapping Pan head #6 x .6"
11	39667.0000	4	4	Foot Assy.
12	40293.0000	1	1	Faucet Assy.
13	02861.0003	1	1	Handle
14	02858.0000	1	1	Pin
15	02854.0000	1	1	Bonnet
16	02595.0000	1	1	Spring
17	13054.0000	1	1	Stem
18	02766.0000	1	1	Seat Cup
19	00658.0000	1	1	Decal, Warning-Decanter/Funnel
20	42878.0000	1	1	Decal, Warning-Hot Water Faucet
21	00970.0000	1	1	Keps Nut #8-32, Ground Wire
22	00824.0002	1	1	Decal, Ground
23	02856.0001*	1	1	Body, Faucet

Not Used On  
120V/240V Frame

**The Following Items Are Not Illustrated**

24	28526.1000	-	-	Tube, .313" ID x 12" LG
	28526.1001	-	-	Tube, .313" ID x 36" LG
	28526.1002	-	-	Tube, .313" ID x 60" LG
	28526.1003	-	-	Tube, .313" ID x 120" LG

\* Indicates the part number listed is for reference only. See DESCRIPTION for possible service replacement.



**Note**

120V/240V  
Frame shown



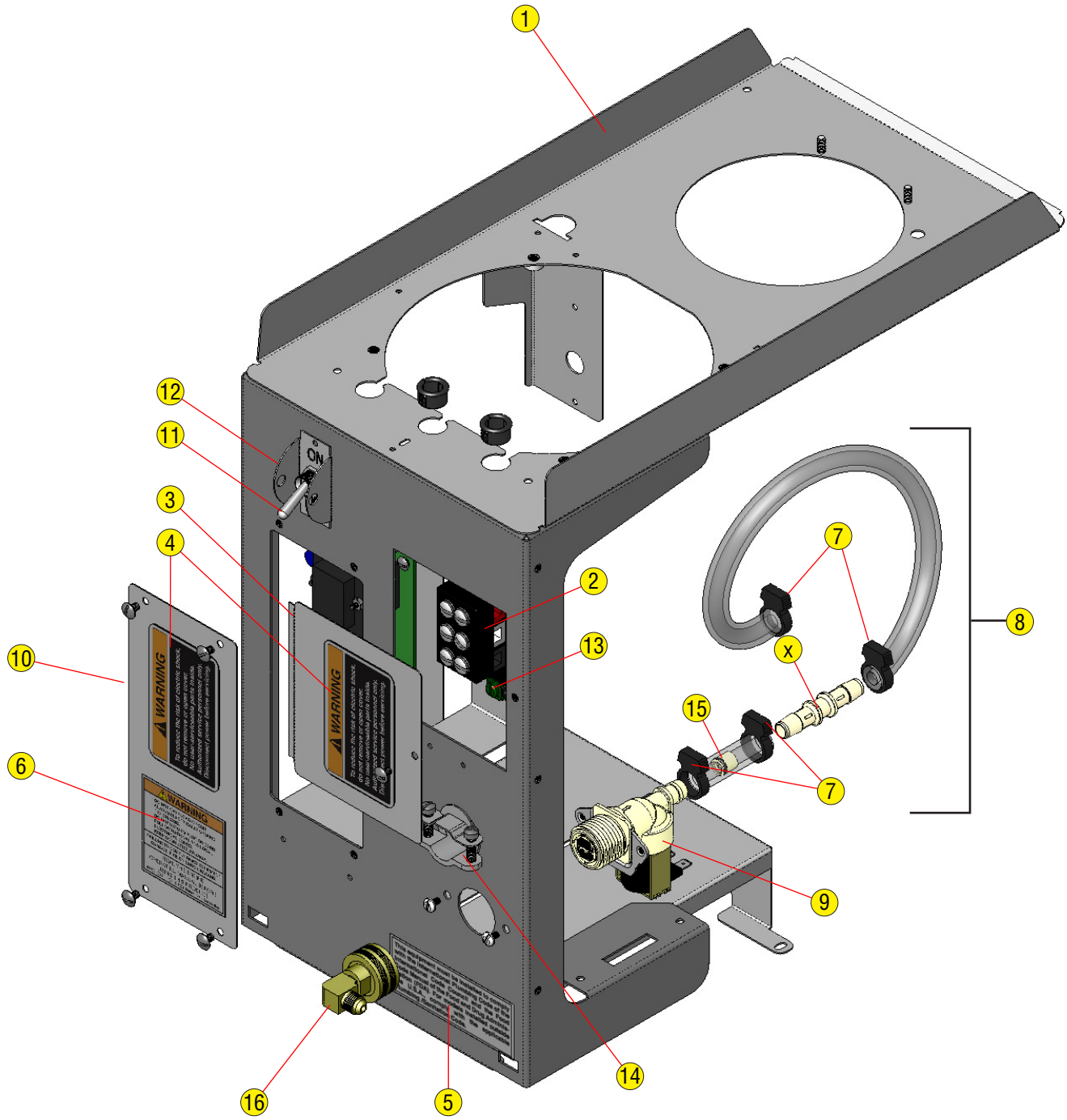
## REAR FRAME & INLET - FIRST STYLE

ITEM	PART NO.	QTY.	QTY.	DESCRIPTION	
		DISPLAY	SILVER		
1	40125.0003*	1	1	Frame Assy. 120V & 230V Narrow Models	
	40125.0004*	1	1	Frame Assy. 120V/240V Narrow Models Only (Illustrated)	
2	07038.0000	1	1	terminal Block 120V/240V Models Only	
	01317.0000	2	2	Screw, Truss Head #8-32 x .5"	
3	40739.1000	1	1	Cover, Term. Block Access 120V/240V Models Only (Includes Decal)	
	01308.0000	1	1	Screw, Truss Head #6-32 x .25"	
4	37881.0000	2	2	Decal, No User Serviceable Parts (1 less used on 120V)	
5	00656.0001	1	1	Decal, Comply to Plumbing Code	
6	00986.0000	1	1	Decal, Warning-Electrical	
7	22300.0222	1	1	Strainer/Flow Control .222 GPM	
A	22249.0000	1	1	Cap .25" Flare	
B	23721.0000	1	1	Screen	
C	20526.1222	1	1	Flow Washer .222 GPM	
D	01155.0000	1	1	Gasket	
E	01154.0001	1	1	Outlet .25" Flare	
8	12422.0006	2	2	Clamp, SNP-8	
9	28526.0034*	1	1	Tube, .313" ID x 5.5" LG (Order # 24 on page 7)	
10	36996.0001	1	1	Bracket	
	01327.0000	2	2	Screw, Pan Head #10-32 x .375"	
11	01085.0002	1	1	Solenoid Assy. 120V	
	01085.0005	1	1	Solenoid Assy. 230V	
	01327.0000	2	2	Screw, Pan Head #10-32 x .375"	
	01502.0000	2	2	Lockwasher	
A	01111.0002	1	1	Repair Kit (Plunger, Spring, O-ring)	
B	28479.0000	1	1	Base/O-Ring Kit	
C	28480.0000	1	1	Coil, 120VAC	
D	28481.0000	1	1	Guide/O-Ring Kit	
12	40343.0000	1	1	Fitting	
13	00402.0001	1	1	Fitting	
14	40179.1000	1	1	Cover, Board Access 120V & 230V Models	} Includes Decals
	40179.1001	1	1	Cover, Board Access 120V/240V Models Only (Illustrated)	
	01308.0000	4	4	Screw, Truss Head #6-32 x .25"	
15	40763.0001	1	1	Toggle Switch, DPST, Main ON/OFF (120V/240V Only)	
16	25102.0000	1	1	Bracket, Switch Gaurd (120V/240V Only)	
17	37804.0000	1	1	Ground Screw #8-32 x .5" (120V/240V Models Only)	
18	01590.0000	1	1	Connector, Cord	
19	00310.0000	1	1	Tube Assembly	
20	36378.0001	1	1	Valve, Check 2.5 Psi (CE Models Only)	

**The Following Items Are Not Illustrated**

21	36381.0005	1	1	Power Cord, 120V
	36381.0006	1	1	Power Cord, 230V

\* Indicates the part number listed is for reference only. See DESCRIPTION for possible service replacement.



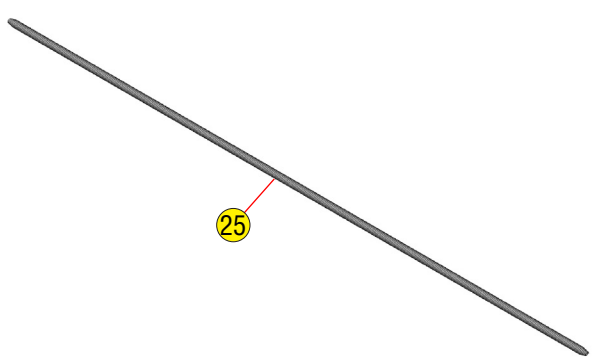
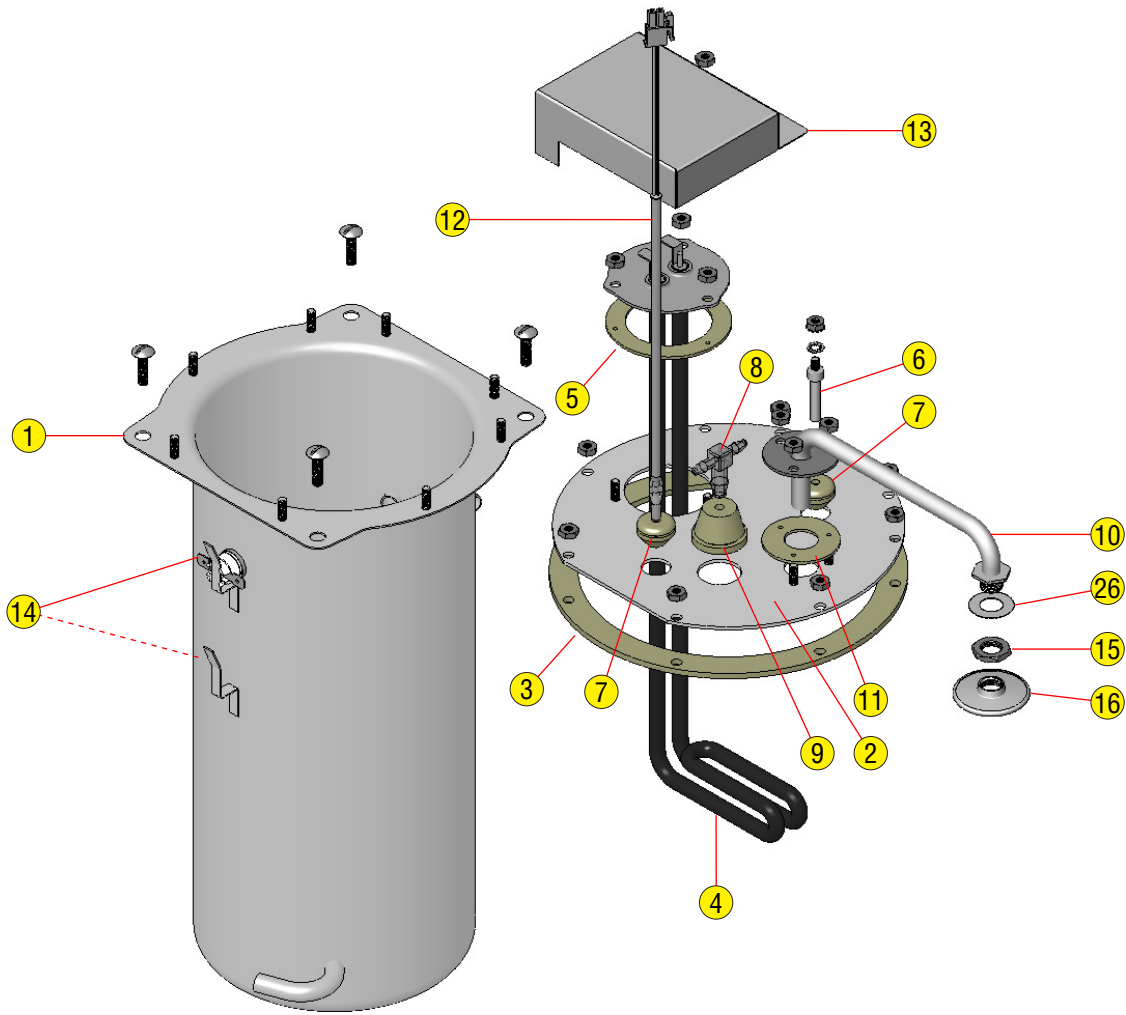
**Note**  
120V/240V  
Frame shown

## REAR FRAME & INLET - SECOND STYLE

ITEM	PART NO.	QTY.	QTY.	DESCRIPTION
		DISPLAY	SILVER	
1	40125.0005*	1	1	Frame Assy. 120V & 230V Narrow Models Only
	40125.0006*	1	1	Frame Assy. 120V/240V Narrow Models Only (Illustrated)
	41681.0000*	1	1	Frame Assy. 120V Wide Models Only
	41681.0001*	1	1	Frame Assy. 120V/240V & 230V Wide Models Only
2	07038.0000	1	1	terminal Block 120V/240V Models Only
	01317.0000	2	2	Screw, Truss Head #8-32 x .5"
3	40739.1000	1	1	Cover, Term. Block Access 120V/240V Models Only (Includes Decal)
	01308.0000	1	1	Screw, Truss Head #6-32 x .25"
4	37881.0000	2	2	Decal, No User Serviceable Parts (1 less used on 120V)
5	00656.0001	1	1	Decal, Comply to Plumbing Code
6	00986.0000	1	1	Decal, Warning-Electrical
7	12422.0006	4	4	Clamp, SNP-8
8	45313.0000	1	1	Connector, Union .375" X .375" - Kynar
9	40693.1000	1	1	Inlet Valve Assy, 120V W/FLO CTL
	40693.1001	1	1	Inlet Valve Assy, 230V W/FLO CTL
	40693.1004	1	1	Inlet Valve Assy, 100V W/FLO CTL
	32283.0000	2	2	Screw, SST SLTD PNH M4 X 6MM
10	40179.1000	1	1	Cover, Board Access 120V & 230V Models
	40179.1001	1	1	Cover, Board Access 120V/240V Models Only (Illustrated)
	01308.0000	4	4	Screw, Truss Head #6-32 x .25"
11	40763.0001	1	1	Toggle Switch, DPST, Main ON/OFF (120V/240V Only)
12	25102.0000	1	1	Bracket, Switch Guard (120V/240V Only)
13	37804.0000	1	1	Ground Screw #8-32 x .5" (120V/240V Models Only)
14	01590.0000	1	1	Connector, Cord
15	36378.0001	1	1	Valve, Check 2.5 Psi
16	37297.1006	1	1	Elbow
17	41716.1002	1	1	Kit, Tube Assy W/Check Valve & Connector

**The Following Items Are Not Illustrated**

18	36381.0005	1	1	Power Cord, 120V
	36381.0006	1	1	Power Cord, 230V



## TANK AND COMPONENTS

ITEM	PART NO.	QTY. DISPLAY	QTY. SILVER	DESCRIPTION	
1	04118.0005 01326.0007	1 4	1 4	Tank, Screw #10-32x.625"	
2	40141.0001 00908.0000	1 8	1 8	Tank Lid, Nut #8-32	
3	04221.0000	2	1	Gasket, Tank Lid	
4	39294.1000 39294.1001 39294.1002 00908.0000	1 1 1 3	1 1 1 3	Tank Heater 1850W, 230V (Includes Gasket) Tank Heater 1250W, 100V (Includes Gasket) Tank Heater 1320W, 120V (Includes Gasket) Nut #8-32	
5	39590.0000	1	1	Gasket, Tank Heater	
6	40288.1000 20203.0100 00908.0000	1 1 3	1 1 3	Probe Kit, Liquid Level (Includes Nut & Washer) Lock Washer Nut #8-32	
7	33201.0000	2	2	Grommet, Probes	
8	40287.0000	1	1	Tee Fitting	
9	33801.0001	1	1	Grommet, Tee	
10	40160.0000 00908.0000	1 3	1 3	Tube Assy., Sprayhead Nut #8-32	
11	05515.0000	1	1	Gasket, Sprayhead Tube	
12	38855.0001	1	1	Probe, Temperature Sensor	
13	40176.0000	1	1	Cover, Tank Heater	
14	29329.1000 37188.0000	1 2	1 2	Thermostat, Limit 120V, 120/240V (Auto Reset) Thermostat, Limit 230V, (One Shot)	} Also Included in Main Harness
15	01075.0000	1	1	Nut, Sprayhead .438-20	
16	01082.0000	1	1	Sprayhead, 6-.078 (Standard)	
17	33119.0000*	1	1	Funnel Body, Not Available (Order # 21)	
18	32964.0000	1	1	Splashgard	
19	03408.0002	1	1	Decal, Warning-Remove Funnel	
20	03409.0002	1	1	Decal, Warning-Hot Liquid	
21	20583.0003	1	1	Funnel Assy.	
25	01188.0000	1	1	Delimiting Spring	
26	01527.0000	1	1	Washer	
<b>The Following Items Are Not Illustrated</b>					
27	40291.1000 40291.1001 40291.1003	1 1 1	1 1 1	Tank Kit, 1320W, 120V, (Includes 1-5 & 7-11) Tank Kit, 1850W, 220V, (Includes 1-5 & 7-11) Tank Kit, 1250W, 100V, (Includes 1-5 & 7-11)	

\* Indicates the part number listed is for reference only. See DESCRIPTION for possible service replacement.

NUMERICAL INDEX

PART NO.	PAGE NO.	PART NO.	PAGE NO.	PART NO.	PAGE NO.	PART NO.	PAGE NO.
00310.0000	9	28526.1002	7	40179.1000	9,11		
00402.0001	9	28526.1003	7	40179.1001	9,11		
00614.0000	7	29081.0002	7	40201.0000	5		
00656.0001	9,11	29264.0000	7	40202.0000	5		
00658.0000	7	29329.1000	13	40273.0000	7		
00824.0002	7	32283.0000	11	40273.0001	7		
00908.0000	5,13	32964.0000	13	40287.0000	13		
00970.0000	7	33119.0000	13	40288.1000	13		
00986.0000	9,11	33201.0000	13	40291.1000	13		
01075.0000	13	33801.0001	13	40291.1001	13		
01082.0000	13	36329.0002	5	40291.1003	13		
01085.0002	9	36329.0004	5	40293.0000	7		
01085.0005	9	36378.0001	9,11	40298.0000	5		
01111.0002	9	36381.0005	9,11	40309.0000	5		
01154.0001	9	36381.0006	9,11	40310.0000	5		
01155.0000	9	36630.0000	5	40343.0000	9		
01188.0000	13	36631.0000	5	40374.0000	7		
01308.0000	7,9,11	36671.0003	5	40378.0001	5		
01317.0000	9,11	36996.0001	9	40405.0001	5		
01326.0007	13	37188.0000	13	40405.0002	5		
01327.0000	9	37297.1006	11	40405.0003	5		
01501.0000	5	37804.0000	9,11	40608.0000	5		
01502.0000	9	37881.0000	9,11	40693.1000	11		
01527.0000	13	37881.0002	5,7	40693.1001	11		
01590.0000	9,11	38316.1000	5	40693.1004	11		
02367.0000	7	38855.0001	13	40739.1000	9,11		
02595.0000	7	39294.1000	13	40763.0001	9,11		
02766.0000	7	39294.1001	13	41681.0000	11		
02854.0000	7	39294.1002	13	41681.0001	11		
02856.0001	7	39590.0000	13	41691.1000	7		
02858.0000	7	39658.1002	7	41691.1001	7		
02861.0003	7	39658.1003	7	41716.1002	11		
03408.0002	13	39661.0000	5	42878.0000	7		
03409.0002	13	39661.0001	5	44646.0001	5,7		
04118.0005	13	39667.0000	7	45313.0000	11		
04221.0000	13	39703.1000	7				
05515.0000	13	39955.1000	5				
07038.0000	9,11	39974.0000	7				
12422.0006	7,9,11	39984.1000	5				
13054.0000	7	39984.1001	5				
20203.0100	13	40125.0003	9				
20526.1222	9	40125.0004	9				
20583.0003	13	40125.0005	11				
22249.0000	9	40125.0006	11				
22300.0222	9	40141.0001	13				
23721.0000	9	40152.1000	5				
25102.0000	9,11	40153.1000	7				
28479.0000	9	40160.0000	13				
28480.0000	9	40167.0001	5				
28481.0000	9	40168.0001	5				
28526.0034	9	40173.0000	5				
28526.0035	7	40173.0001	5				
28526.1000	7	40173.0002	5				
28526.1001	7	40176.0000	13				

