

Infusion Tea and Coffee Brewer



Shown with TDO-4

ITCB with integrated flip tray

Model ITCB

(dispensers not included)

Dimensions (Tall): 34.37" H x 11.53" W x 23.78" D
(87.3cm H x 29.3cm W x 60.4cm D)

Dimensions (Short): 31.12" H x 11.53" W x 23.78" D
(79.1cm H x 29.3cm W x 60.4cm D)

Features

Perfect iced or hot tea or coffee from a brewer less than 12" wide

- Large tank provides back-to-back brewing capacity and allows 3 or 5 gallon (11.4 to 18.9 litres) tea batches.
- Dual voltage adaptable. Can operate at 120V/15 amp or 208-240V/20 amp.
- Two programmable batch switches allow full and half batches of iced tea.
- Brews into all BUNN iced tea dispensers (except TDS-5), 1.9 to 3.8 litre airpots, thermal carafes and can accommodate BUNN ThermoFresh® Servers.
- BrewWISE® intelligence with pre-infusion and pulse brew for maximum flavor extraction. Digital temperature control and cold brew lockout.
- Easy Pulse interface allows automatic programming of pulse routine.
- Energy-saver mode reduces tank temperature during idle periods.
- Display advertising messages and machine status.
- Brew counter keeps track of how many batches brewed.
- Models available with integrated flip tray that converts to three positions: thermal carafe, airpot and tea dispenser.
- Most models include graphic overlays for customizing user interface.
- English and Spanish alphanumeric display.

Sweetener Model Features

- Each brew button's sweetener may be independently set.
- Easily adjust the volume of sweetener using the Sweet Meter.
- "Out of Sweetener" indicator - LCD blinks to aid operator.
- Separate inlet for sweetener - use existing CO2 systems or external 3rd party pump for sweetener delivery.

ITCB	Tea Dispensers	ThermoFresh Servers
25.75" trunk	TD4, TDS-3, TDO-4	1gal (with base)
29" trunk	TD4,TD4T, TDS-3, TDS-3.5, TDO-4, TDO-5, TDO-N-3.5, TDO-N-4	1gal, 1.5gal (with base)

For current specification sheets and other information, go to www.bunn.com.

Related Products

Easy Clear® EQHP-TEA

Product No. : 39000.0007
Replacement Cartridge
Product No. : 39000.1007



Easy Clear® EQHP-10

Product No.: 39000.0000
Replacement Cartridge
Product No.: 39000.1000

Single/Dual Filter Pack (500)

Product No. : 20100.0000
Dimensions: 5 1/4" Base x 3 3/4" Sidewall



TDO-4 Tea Dispenser

(solid lid)
Product No. : 34100.0000



TDO-N-3.5 Tea Dispenser

Product No. : 39600.0001

Airpot Booster-Short (5.15")

Product No. : 35976.0002

Airpot Booster-Tall (8.4")

Product No. : 35976.0003



2.5 litre Lever-Action Airpot

Product No. : 32125.0000

3.0 litre Lever-Action Airpot

Product No. : 32130.0000

3.8 litre Lever-Action Airpot

Product No.: 36725.0000

1.9 litre Deluxe Thermal Carafe

Product No.: 36029.0001

1.9 litre Economy Thermal Carafe

Product No.: 40163.0000



Model

ITCB

Agency Listing



Dimensions & Specifications

Model	Product #	Volts	Amps	Tank Heater Watts	Total Watts	Coffee Brewing Capacity	Tea Brewing Capacity	Cubic Measure	Shipping Weight	Cord Attached
All ITCB-DV models share the specifications shown below:										
		120	14	1680	1700	4.5 gal/hr	26.7 gal/hr	10.3 ft ³	50 lbs.	Yes†
		120/208	13	2611	2650	7.5 gal/hr	26.7 gal/hr	10.3 ft ³	50 lbs.	
		120/240	15	3476	3500	7.5 gal/hr	26.7 gal/hr	10.3 ft ³	50 lbs.	

ITCB-DV	35700.0000	29" trunk, with overlays								
	35700.0019	29" trunk, with flip tray, with overlays								
	35700.0001	25.75" trunk, with overlays								
	35700.0020	25.75" trunk, with flip tray, with overlays								
	35700.0002	29" trunk, 7 hole sprayhead, with overlays								
	35700.0033	25.75" trunk, with sweetener option and low sweetener detect (does not include overlays or hot water faucet)								

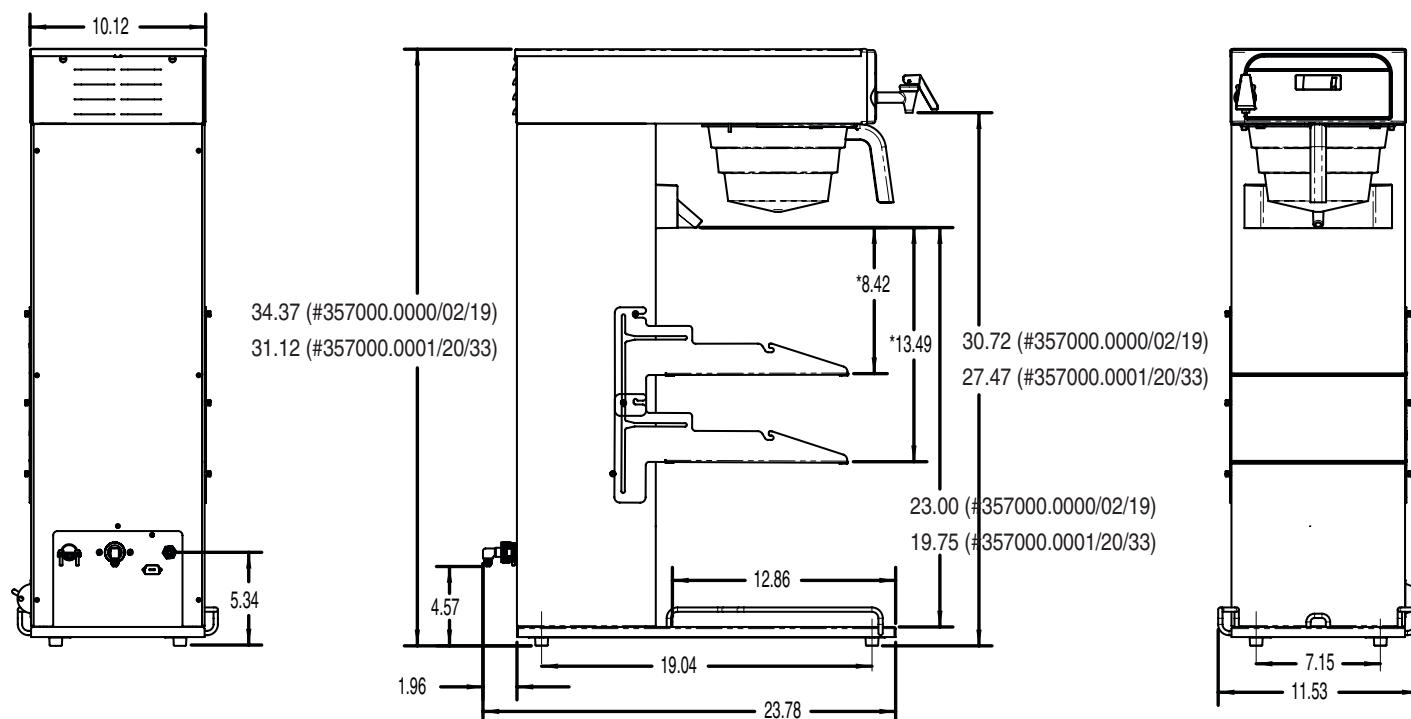
†Power cord (NEMA 5-15P) 15 Amp-120V.

Additional models with other funnel and sprayhead configurations are available as make-to order items. Contact your BUNN sales representative.

Electrical: 120 volt, 15 amp. models require 2-wires plus ground service rated 120V, single phase, 60 Hz.

If wired for 120/208V or 120/240V, required 3 wires plus ground service rated 120/208V or 120/240V, single phase, 60Hz. An internal terminal block is configured for connection to a 3-wire plus ground.

Plumbing: 20-90 psi (138-621 kPa). Model supplied with a 1/4" male flare fitting. Requires minimum 1GPM water flow.



* Flip tray to funnel dimensions are the same for both trunk heights.

Bunn-O-Matic® Corporation - 1400 Stevenson Drive Springfield, Illinois 62703 • 800-637-8606 • 217-529-6601 • Fax 217-529-6644 • www.bunn.com

BUNN® practices continuous product research and improvement. We reserve the right to change specifications and product design without notice. Such revisions do not entitle the buyer to corresponding changes, improvements, additions or replacements for previously purchased equipment.

All dimensions shown in inches.