

Compact Cappuccino & Hot Chocolate Dispensers



GB1HC-CP

Models:

- GB1CP
- GB2CP
- GB3CP
- GB1HC-CP
- GB2HC-CP

- GB1HC-CP-PC*
- GB2HC-CP-PC*



GB2CP (SHOWN)



Cecilware Corporation
43-05 20th. Avenue, LIC NY 11105
Tel: 800.935.2211 / 718.932.1414
Fax: 718.932.7860 • www.cecilware.com
Email: customer.service@cecilware.com

Cecilware sells value... Worldwide

Operation Manual
NL05A August 2009

Mechanical Specifications

Model #	Label	No. of Hoppers	Hopper Capacity (lb.)	Width (in.)	Depth (in.)	Height (in.)	Tank (Gal.)
GB1CP	Cappuccino	1	8 lb.	7.75	19	27	2
GB2CP	Cappuccino	2	4 lb.	7.75	19	27	2
GB3CP	Cappuccino	3	4 lb.	9.88	19	27	2
GB1HC-CP	Hot Chocolate	1	8 lb.	7.75	19	27	2
GB2HC-CP	Hot Chocolate	2	4 lb.	7.75	19	27	2
GB1HC-CP-PC	Hot Chocolate	1	8 lb.	7.75	19	27	2
GB2HC-CP-PC	Hot Chocolate	2	4 lb.	7.75	19	27	2

Add an additional 2.5" to 4.0", when installing with legs. Add 2" for line cord and valve fitting clearance.
 Plumbing: ¼" water line required.

Electrical Specifications

Model No.	Volts	Phase	Hz	Watts	Number of Heaters	Amps	Receptacle Nema No.	Circuit Breaker
GB1CP, GB2CP, GB3CP GB1HC-CP, GB2HC-CP GB1HC-CP-PC*, GB2HC-CP-PC*	120V	1	50/60	1.8KW	1	15	5-15R	15A

*** Automatic Portion Control**

For Wiring, refer to Wiring Diagrams. See Electrical Data Label attached to the back of the unit for proper voltages, breaker sizes and electrical outlet requirements for each model number listed.

DESCRIPTION OF COMPONENTS:

RINSE SWITCH.

With the door open, the rinse switch is located on the left side of the first Whipper Chamber next to the power switch. In the **RINSE** position it **disengages the hopper motors** and **allows only water to be dispensed**. It is used for flushing out the Whipper Chambers and to adjust the water dispense valves for proper flow rates.

HEATER SWITCH.

This switch is **located behind the cabinet in the rear of the unit..** Its primary function is to shut off the heating element during the initial priming, start up operation of the machine, or whenever the tank is being drained for service.
Note: Power Switch and Heater Switch must be ON in order for the elements to operate.

POWER SWITCH.

With the door open, the power switch is located on the left side of the first Whipper Chamber next to the Rinse Switch. The Power Switch controls all power to the machine including the heater elements.

WATER LEVEL CONTROLS.

Under normal conditions and operation, the water level in the tank should not drop more than ½" from the probe. If it does, the tank is not refilling fast enough. Check the water line and water filter, they may need cleaning or replacing.

I. INSTALLATION INSTRUCTIONS

This equipment is to be installed to comply with the applicable Federal, State, or local plumbing codes having jurisdiction.

In addition:

1. A quick disconnect water connection or enough extra coiled tubing (at least 2x the depth of the unit) so that the machine can be moved for cleaning underneath.
2. An approved back flow prevention device, such as a double check valve to be installed between the machine and the water supply.

The GB beverage dispenser is equipped with a ¼" Flare Water Inlet Fitting which is located on the left side in the back of the base (when looking at the machine from the front).

HIGHLY RECOMMENDED: A WATER SHUT-OFF VALVE and A WATER FILTER, preferably a combination Charcoal/Phosphate Filter, to remove odors and inhibit lime and scale build up in the machine.

Note: In areas with extremely hard water, a water softener must be installed in order to prevent a malfunctioning of the equipment and in order not to void the warranty.

After the machine has been unpacked and placed on a counter, pull out the stainless steel drip tray. It should contain the following: A Set of 4 Adjustable Leveling Legs & Water Inlet Fitting.

II. START UP INSTRUCTIONS

Caution: Make sure that the Heater Switch, located behind right hopper with door opened, is in the OFF position.

1. Connect the ¼" dia. copper waterline to the ¼" flare water inlet fitting of the valve.
2. Plug the power cord into a proper receptacle.
3. Activate the **Power Switch** (Toggle Up). The red power indicator light and the green dispense buttons will light up and the tank will start filling. Allow approximately 4-5 minutes for the tank to fill.
4. Activate the **Heater Switch**. Allow approximately 10-30 minutes for the water to reach a temperature of 195°F. The heat up time will depend on the water inlet temperature, the input voltage and the wattage of the elements in the machine.
5. Place a **6 oz.** or larger cup under the left dispense nozzle, press and hold the left dispense switch for 6 seconds. The machine will dispense water at the rate of 1 oz. per second. Repeat it several times to check for consistent output. Repeat same for the other dispense switches. This procedure checks that the dispense valves are not air-locked.
6. While the tank is heating up, remove the hoppers, load them with products and reposition them back in the machine. When the green ready light comes on, the tank has reached its brew temperature and the machine is ready to dispense the first cup of Cappuccino.

To Dispense a Cup of Cappuccino: Place a 8 oz. or larger cup under selected drink dispense nozzle.

For Manual units: Push and hold brew button until cup is 2/3 full, then release button.

For Automatic units: Press and Release button. Cup will fill up automatically to it's preset amount.

See **Drink Strength Adjustments** if different levels of drink strength are desired or **Programming Dispense Volume** if different cup sizes are used.

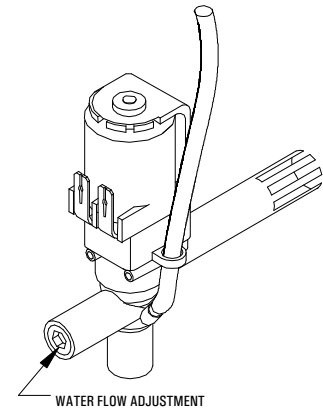
ADJUSTMENTS

A. WATER FLOW ADJUSTMENTS, FLOW RATE

The Unit Is Factory Adjusted To Dispense Water At The Rate of 1 to 1.3 oz/ sec.
To increase or decrease flow, proceed as follows:

1. Remove Left side panel and locate Dispense Valve mounted on tank, with Flow Adjuster facing up, underneath cold water reservoir.
2. Locate Flow Adjustment Screw (white) on Dispense Valve. Use Allan Key to reach Flow Adjuster.
3. Rotate Adjustment Screw Counterclockwise to **INCREASE** flow rate.
4. Rotate Clockwise to **DECREASE** flow rate.

When making adjustments, do not adjust by more than 1/4 turn at a time, without checking output flow or drink strength (ratio of water to powder).



The Dispense Valve is factory adjusted for a maximum flow rate of 1 to 1.3 oz/ sec. for coffee or cappuccino.
Exceeding 1.3 oz / sec Flow Rate will cause the Mixing Chamber to overflow.

To Check Volume And Gram Throw Dispensed (ratio):

1. Remove the product guide from the hopper and position a receptacle under the hopper nozzle to catch the gram throw of product. Also place a measuring cup under extension tube to catch the water dispensed.
2. Push the dispense button and check the amount of product dispensed, amount of water dispensed, and time [use stop watch] to dispense that water.
3. The amount of water dispensed in the measuring cup divided by the amount of time to dispense that water is the Water Flow Rate from Dispense Valve.

For Cappuccino:The machine is factory adjusted to dispense 4.5-5.0g / sec. per 1oz. of water [36-40g Product per 8 oz. cup]

MAINTENANCE

RECOMMENDED PREVENTIVE MAINTENANCE

1. Check All Chamber Mounts For Signs Of Wear

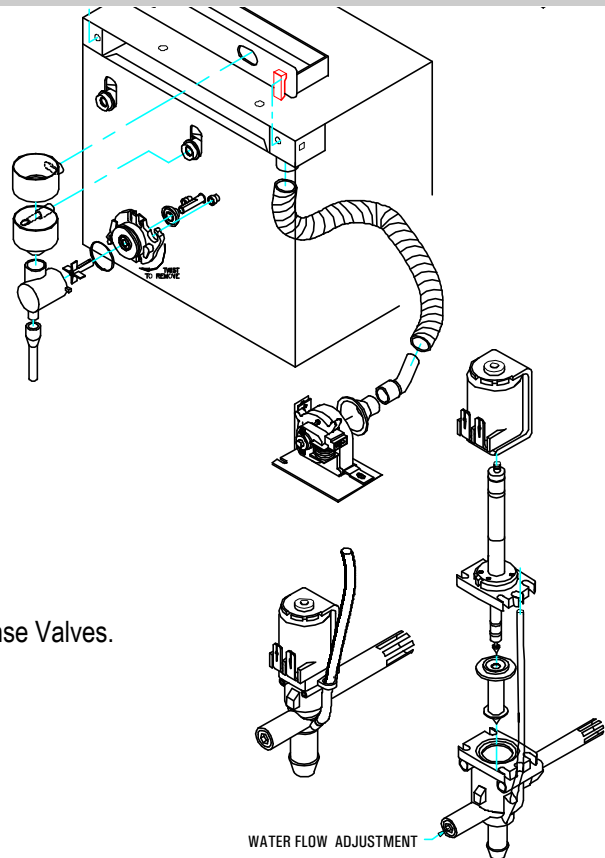
- A. Product Running Down The Front Of The Unit.
- B. Product Built Up On The Back Of Chamber Mount.
Remove Chamber Mount.
Clean And Re-Lubricate Motor Shaft
Using Food Grade Lubricant Only .
Replace With New Chamber Mount.

2. Clean Out Vent Motor, Trough And Tubing.

- Lift up black tabs, remove Trough Drawer,
Clean, and replace Trough Drawer.
Remove Hose Assembly From The Motor.
Clean Out And Replace.

3) Check All Dispense Valves For Lime Build-Up.

- Drain The Water Tank To Just Below The Level Of The Dispense Valves.
Remove The Valves And Clean.
(You Can Take These Valves Apart By Hand As Shown).
Replace The Assembly As Needed.
Replace The Valve Into The Tank And Refill tank.



COMPONENTS TEST

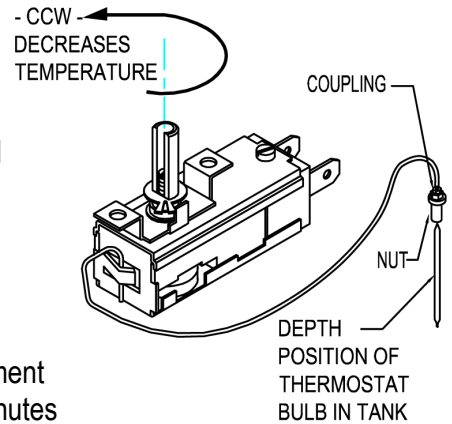
A) Thermostat Adjustments:

The Thermostat is factory set for proper dispense temperature of 190° F with the control shaft set to the maximum clockwise position. If field adjustments are needed proceed as follows:

To DECREASE temperature, turn the control shaft slightly in the COUNTERCLOCKWISE direction.

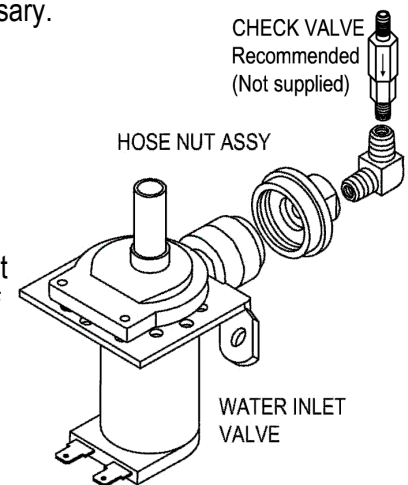
For qualified technicians ONLY:

Remove the knob and locate the Slotted Adjustment Screw inside the hollow thermostat shaft. Using a narrow-bladed screwdriver, engage slotted adjustment screw and turn it ¼ turn very slowly counterclockwise (CCW). Allow a few minutes for the temperature to reach set level. The Heater Light will go ON, indicating the heating element is activated, wait for it to go OFF, indicating that the water has reached NEW set temperature. Take a temperature reading and repeat if necessary.



B) Water Inlet Valve Test

Turn power OFF. If the water level rises inside a partially filled tank, the Water Inlet Valve is leaking. Disconnect wires from the Water Inlet Valve coil and connect a 2 wire line cord to the terminals. Plug it into a 115V outlet. If water flows in and stops when you pull it out, the Valve is working fine. Repeat this test a few times. The problem may be in the Probe or Water Level Control Board. If the water does not flow in when the cord is plugged into an electrical outlet, the Solenoid coil may be damaged, opened, or the valve may have an obstruction preventing the water from flowing in. Clean or replace it.

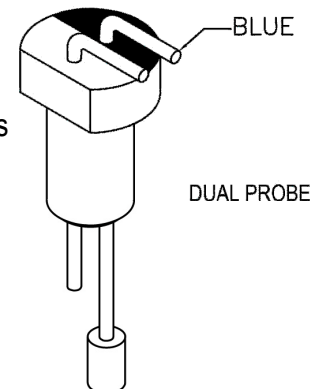


C) Dual Probe Test

If lack of water persists, first check incoming water flow rate, if flow rate is OK proceed as follows:

Turn on the power and water supply. Check inside the tank to make sure the water is below the Probe. Pull the BLUE wire and terminal OFF the Probe rod. If water still does not flow after the wire is disconnected from the Probe, the problem may be in the Solid State Dual Level Control Board.

If water starts flowing into the tank, the Probe may be grounded, due to excessive liming. Check with Ohm meter. Clean or replace probe.



D) Dual Probe Liquid Level Controller Bench Test

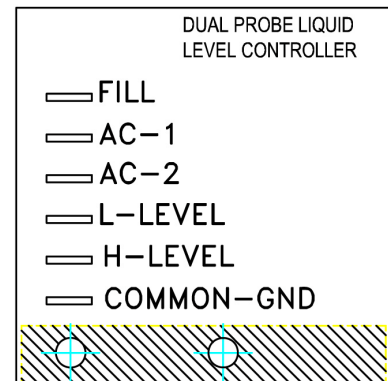
Check the Controller as follows:

1. Make sure there is power input to the Controller at the terminals AC1 & AC2

Your voltmeter should read 115 Volts. It should read the same at terminals AC1 & FILL when the water level is low. This is the output power to actuate the coil of the Solenoid Valve to open it. The lack of voltage at terminals AC1 & L-LEVEL or H-LEVEL indicates that the Controller is not working properly.

2. Make sure all wire connections are tight, including ground.

3. If after this, the Controller is still failing to open the Water Inlet Valve, replace it.



TROUBLESHOOTING GUIDE

WARNING: To reduce the risk of electrical shock unplug the dispenser power cord before repairing or replacing any internal components of the unit.. Before any attempt to replace a component be sure to check all electrical connections for proper contact.

PROBLEM		PROBABLE CAUSE	REMEDY
1 No water when Rinse Switch is ON.	A	Water supply OFF.	Turn water ON.
	B	Clogged inlet screen (Water Inlet Valve).	Disconnect water line and clean inlet screen.
	C	Inoperative Water Inlet Valve.	Check connection, if needed replace Valve.
	D	Loose electrical connection at level control probe or board.	Check all electrical connections. at water level controls.
2 No product when Dispense Button is pressed	A	No product in Hopper.	Add product.
	B	Auger not working.	Engage Hopper/Nut to Motor Gear (See section VI).
	C	Damaged, loose, or missing Agitator Gear.	Replace Agitator/Auger Gear (See section VI).
	D	Inoperative Auger Motor or Relay.	Check connections of Motor, Relay and/or Switch, if needed replace components.
	E	Hopper outlet clogged	Clean Hopper and check Cartridge Heater.
	F	Faulty Coupling.	Replace damaged Coupling components.
3 Water does not shut off. Water keeps dispensing.	A	Clogged/stuck Water Dispense Valve	Clean or unclog Water Dispense Valve. Replace Dispense Valve if inoperative.
4 Water is not heating up in the tank.	A	Heater Switch is OFF.	Turn Heater Switch ON.
	B	Thermostat is OFF.	Turn Thermostat ON. Turn Knob Clockwise.
	C	Loose connection on Thermostat.	Make sure all wires and terminals on Thermostat are tight.
	D	Bad Thermostat	Replace the thermostat.
	E	Hi-Limit Temperature Switch is defective	Replace the Hi-limit.
	F	Heater is burned out or defective.	Replace the Heater.

CLEANING AND SANITIZING

Sanitizing: All sanitizing agents in the food zone must comply with 21 CFR 178.1010. All food dispensing units should be sanitized periodically. All parts to be sanitized must be cleaned first.

To prepare a sanitizing solution:

Add 2 Tsp. Of Liquid Clorox Bleach (5.25% Concentration) To 1 gallon Of Water At Room Temperature (70°- 90°F).

Note: Always start with a unopened bottle of Clorox Bleach since the solution from an opened bottle has a short life span.

- Soak all parts for a minimum of 3 min. in the sanitizing solution.
- Let all sanitized parts drain and dry naturally. **DO NOT WIPE THEM DRY.**
- Before using the sanitized unit (or parts) with food stuffs, rinse all parts thoroughly with water.

Water pipe connecting and fixtures directly connected to a potable water supply shall be sized, installed, and maintained in accordance with Federal, State, and Local codes-section 7.

Cleaning

1. Turn the power switch to OFF.
2. Remove the drip tray with grill and empty the contents.
3. Wash and let dry the tray and grill (use a mild dishwasher detergent).
4. Wash and let dry the dispense area.
5. Turn the power switch to ON.

Cleaning the Hoppers

1. Remove the hopper from of the cabinet.
2. Pull off the elbow chute and remove the hopper cover.
3. Unscrew the rear auger nut and pull out the auger, agitator wheel, and spring.
4. Follow the cleaning and sanitizing procedure above.
5. Let dry all items and reassemble in reverse order.

Filling the Hoppers

1. Remove Hopper from cabinet
2. Fill each hopper with the correct product.
3. Reposition hoppers in the hopper compartment, making sure the hoppers are properly seated.

Flushing the Whipper Chamber

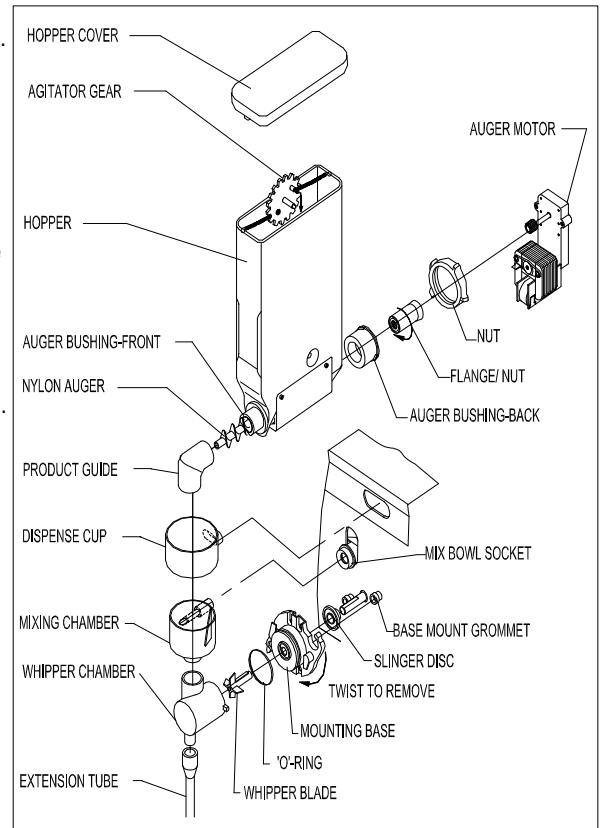
1. Open the cabinet door and turn the RINSE switch to ON.
2. Place a container under the dispense nozzle and push the dispense switches.
Note: On manual dispense machines, push and hold the dispense buttons for 10 seconds.
3. Turn the Rinse switch back to OFF.
4. Remove the drip tray, wash and let dry thoroughly.

Removing and Cleaning the Whipper Chambers

1. Remove the dispense cap by pulling it forward and at the same time twisting it clockwise.
2. Grab and pull the mixing bowl out of the mixing bowl socket.
3. Grab and twist the whipping chamber clockwise and pull it off the mounting plate.
4. Pull the Whipper blade off the motor shaft.

Notice the flat keyways on the motor shaft and the matching keyways on the Whipper Blade shaft.

5. Twist the mounting plate clockwise and pull it off the motor shaft.
6. Slip off the o-ring from the Whipper chamber mounting plate and clean o-ring and o-ring seat.

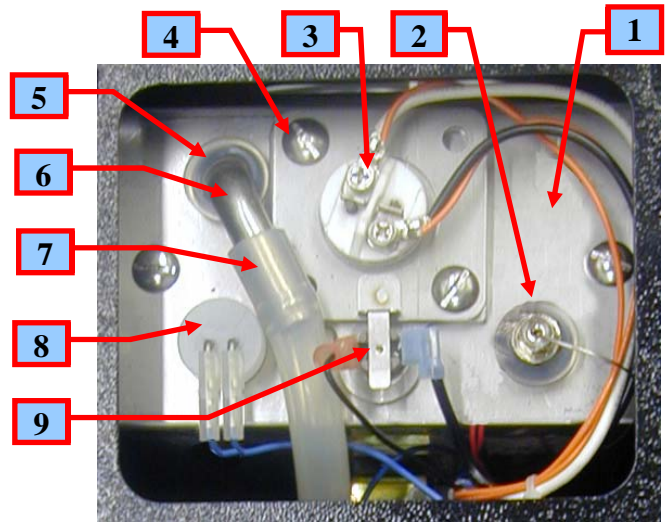


INTERNAL COMPONENTS IDENTIFICATION

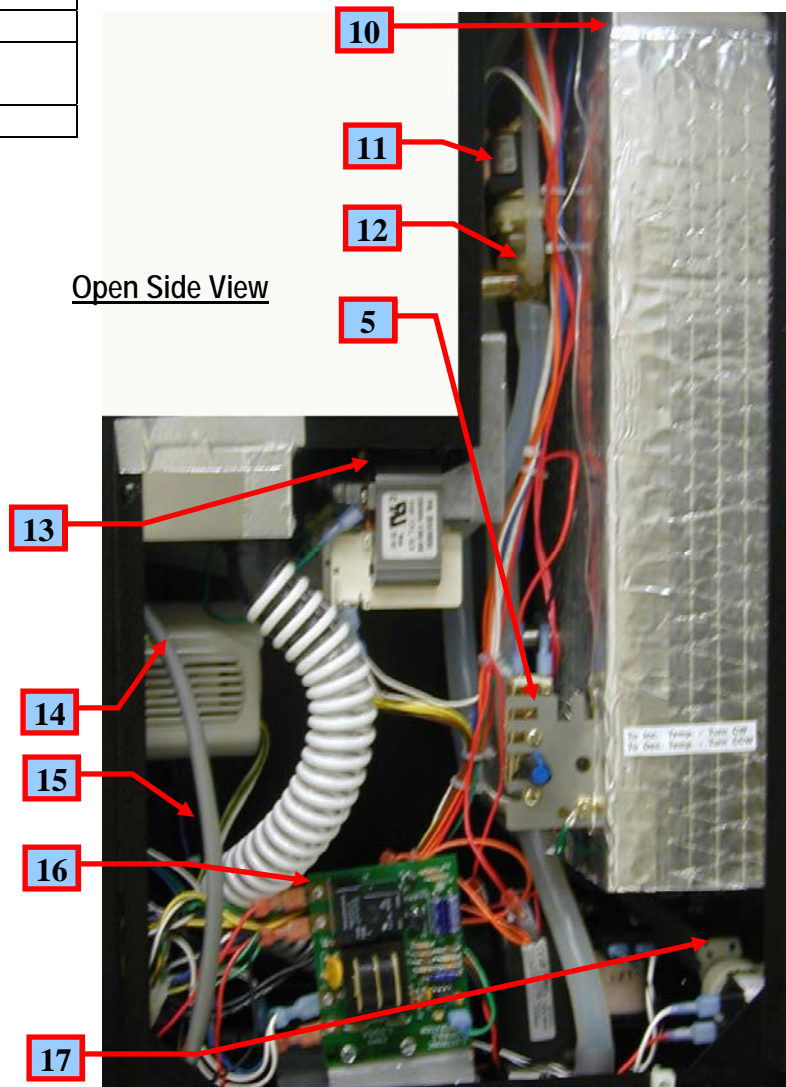
TANK ASSEMBLY SK890

ITEM	P/N	QTY	DESCRIPTION
1	SK88A	1	Tank Top
2	L681A	1	Thermostat & Probe
	M008A	1	Thermostat Knob
3	G267A	1	Heater 120v 1700w
	MO18A	1	Gasket, Tank Heater
4	P465A	4	1/4-20x5/8 SS SL Hex Washer Hd Scr
5	M461A	5	Silicone Seal 12mm (.466 Id)
	M462A	1	Silicone Seal 15mm
6	K525A	3	Elbow 90° Ss
7	M326A	23"	Hose - Overflow
8	K695Q	1	Dual Probe Sub-Assy
9	L573A	1	Hi-Limit 220° F
10	SK89A	1	Tank Weldment
11	L467A	1	Dispense Valve
12	M324A	6"	Hose to Dispense Valve
13	CD175	1	Auger Motor
14	CD350	1	Whipper Motor
15	CD56A	1	Suction Fan
16	L690A	1	Dual Level Control Hi-Lo
17	CD257	1	Inlet Valve 110V
	K491B	1	Water Inlet Connector

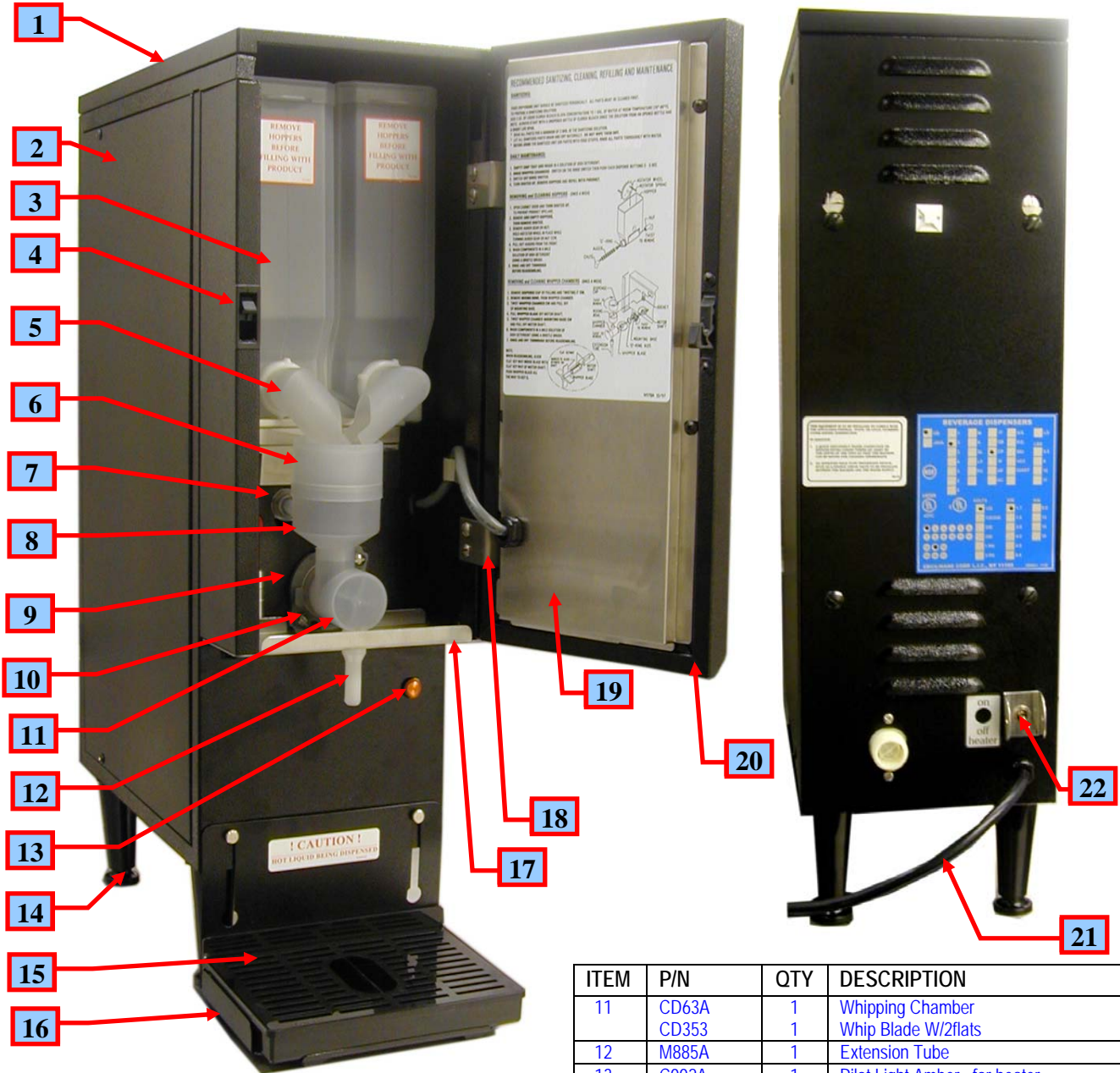
Tank Top View



Open Side View

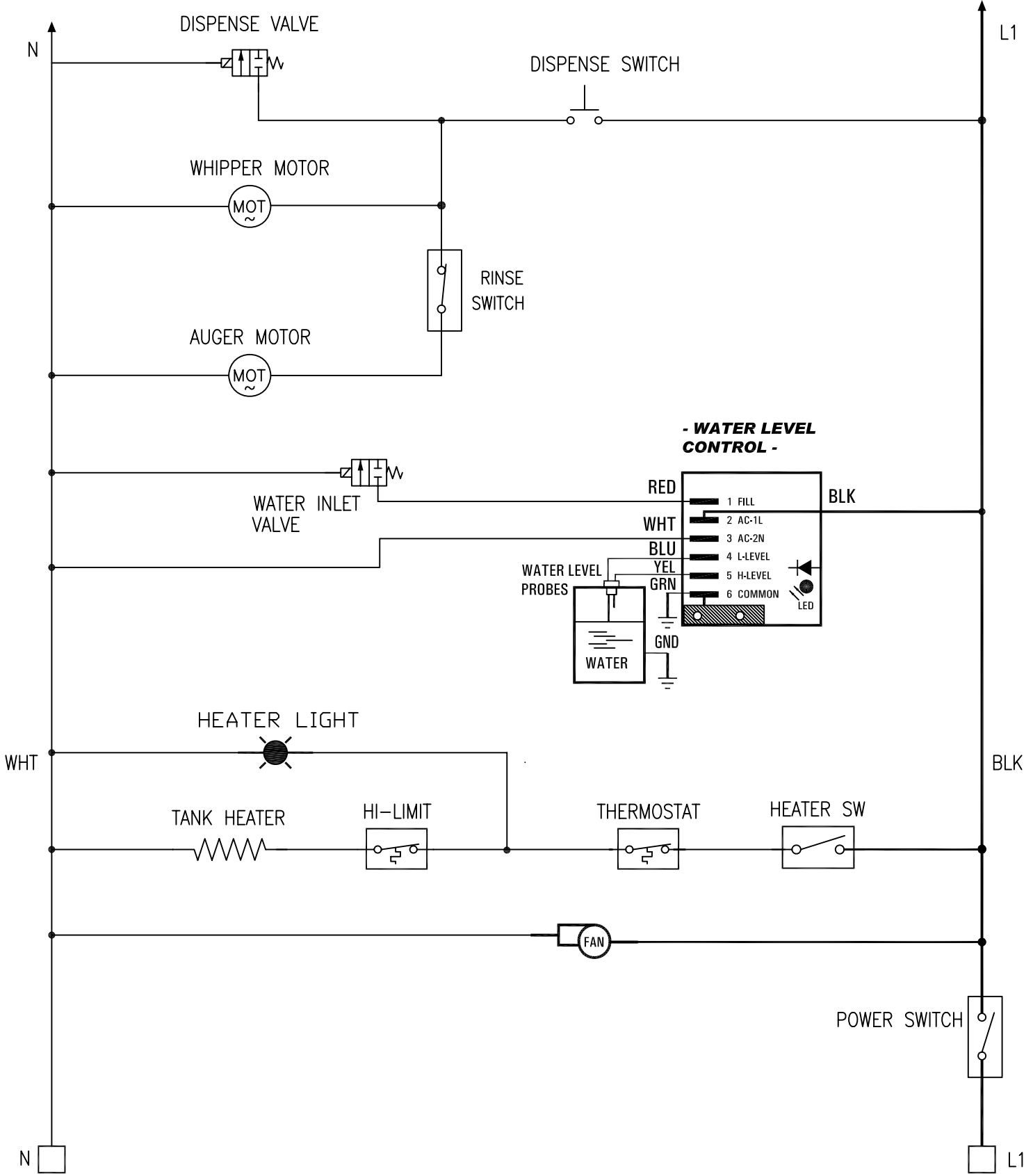


EXTERNAL COMPONENTS IDENTIFICATION



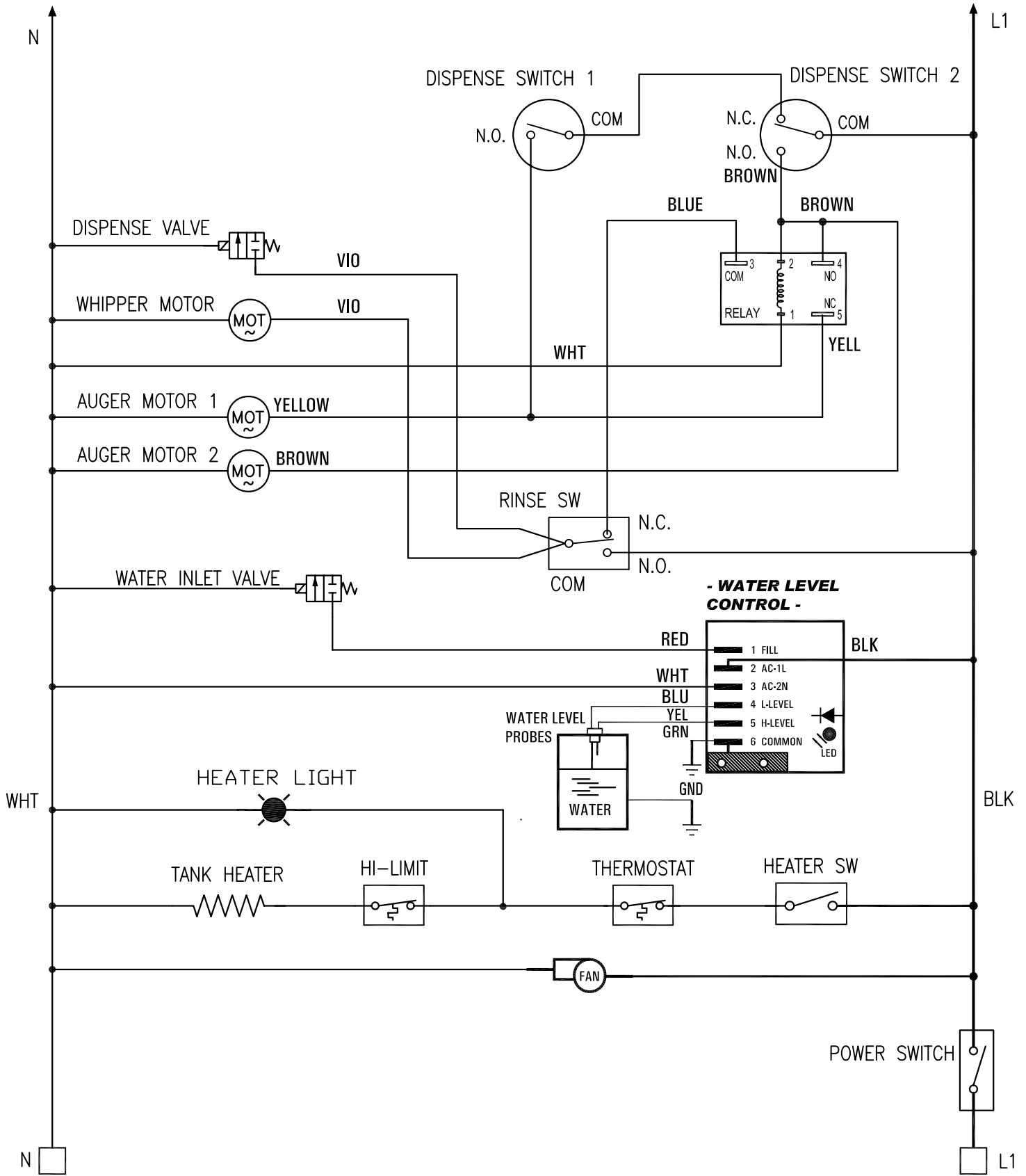
ITEM	P/N	QTY	DESCRIPTION
1	SS42A	1	Top Cover
2	SS51A	2	Side Panels
3	CD284	1	Hopper 8lb GB1
	CD352	2/3	Hopper 4lb GB2, GB3
4	M705A	1	Door Latch
5	CD70A	1	Product Guide GB1, GB3
	CD234	1	Product Guide Right GB2
	CD246	1	Product Guide Left GB2
	CD374	1	Product Guide Right GB3
	CD373	1	Product Guide Left GB3
6	CD61A	1	Steam Deflector GB1, GB2
	CD254	1	Steam Deflector GB3
7	CD67A	1	Mix Bowl Socket
8	CD137	1	Mixing Chamber
9	CD124	1	Slinger Disk
10	CD65A	1	Chamber Mount
	CD66A	2	Chamber Mount Grommet

ITEM	P/N	QTY	DESCRIPTION
11	CD63A	1	Whipping Chamber
	CD353	1	Whip Blade W/2flats
12	M885A	1	Extension Tube
13	C002A	1	Pilot Light Amber, for heater
14	M172S	1	Legs 4"Adj (Set Of 4)
15	75014	1	Molded Drip Tray
	75015	1	Grill
16	RE73A	1	Drip Tray Platform
17	SS46A	1	Facia Bottom Cap
18	K618A	2	Hidden Hinge S/S
19	SS49A	1	Inside Door Panel
20	SS48A	1	Door Housing
21	C032S	1	Line Cord
22	L069A	1	Heater Switch in Back of Machine
	L069A	1	Power Sw. in Hopper Compartment
	L584A	1	Dispense Switch, GB1
	L584A	2	Dispense Switch, GB2
	L735A	3	Dispense Switch, GB3
	L069A	1	Rinse Switch, GB1
	L584A	1	Rinse Switch, GB2
	K491B	1	Hose Nut Ass'y [not shown]

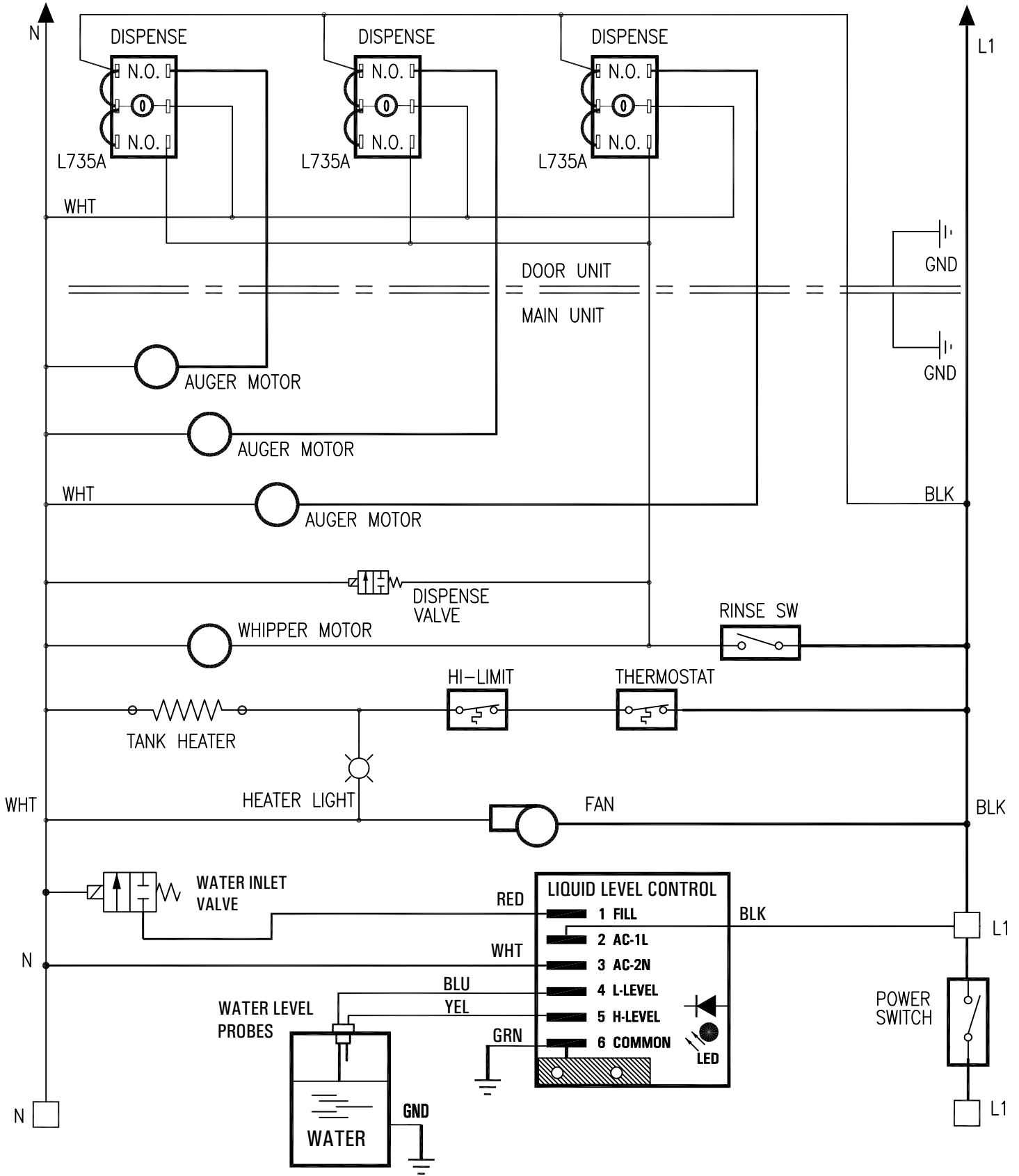


REV	BY	DATE	DESCRIPTION	APP'D BY	DATE	PART NO NE203
				DRAWN BY J.L.	DATE 02/06/09	SCALE 1 : 1
<p>CECILWARE CORPORATION 43-05 20 AVE. L.I.C. NY 11105</p>						
TITLE: ELECTRICAL DIAGRAM (GB1CP, GB1HC-CP)						REV.

NE203



REV	BY	DATE	DESCRIPTION	APP'D BY	DATE	PART NO NE289
				DRAWN BY J.L.	DATE 01/30/09	SCALE 1 : 1
CECILWARE CORPORATION				43-05 20 AVE. L.I.C. NY 11105		
TITLE: ELECTRICAL DIAGRAM (GB2CP, GB2HC-CP)						REV.



REV	BY	DATE	DESCRIPTION	APP'D BY	DATE	PART NO	SCALE
				GV	5/24/2004	NE233	1 : 1
<p>CECILWARE CORPORATION 43-05 20 AVE. L.I.C. NY 11105</p>							REV.
							NE233