

AUTOMATIC HOT WATER BOILER

**ME10E-N ME15E-N
CME10E-N CME15E-N**



**18 Gauge Type 304L
Stainless Steel
construction to resist
corrosion.
Solid State water level
control for automatic
refill**

CONTENTS

**Specifications
Start up Instructions
Trouble Shooting Guide
Parts List
Wiring Diagram**

**Cecilware sells value... Worldwide
Cecilware Corporation**

43-05 20th Avenue, Long Island City, NY 11105

Tel: 718-932-1414

Fax: 718-932-7860

800-935-2211

E-Mail: customer.service@cecilware.com

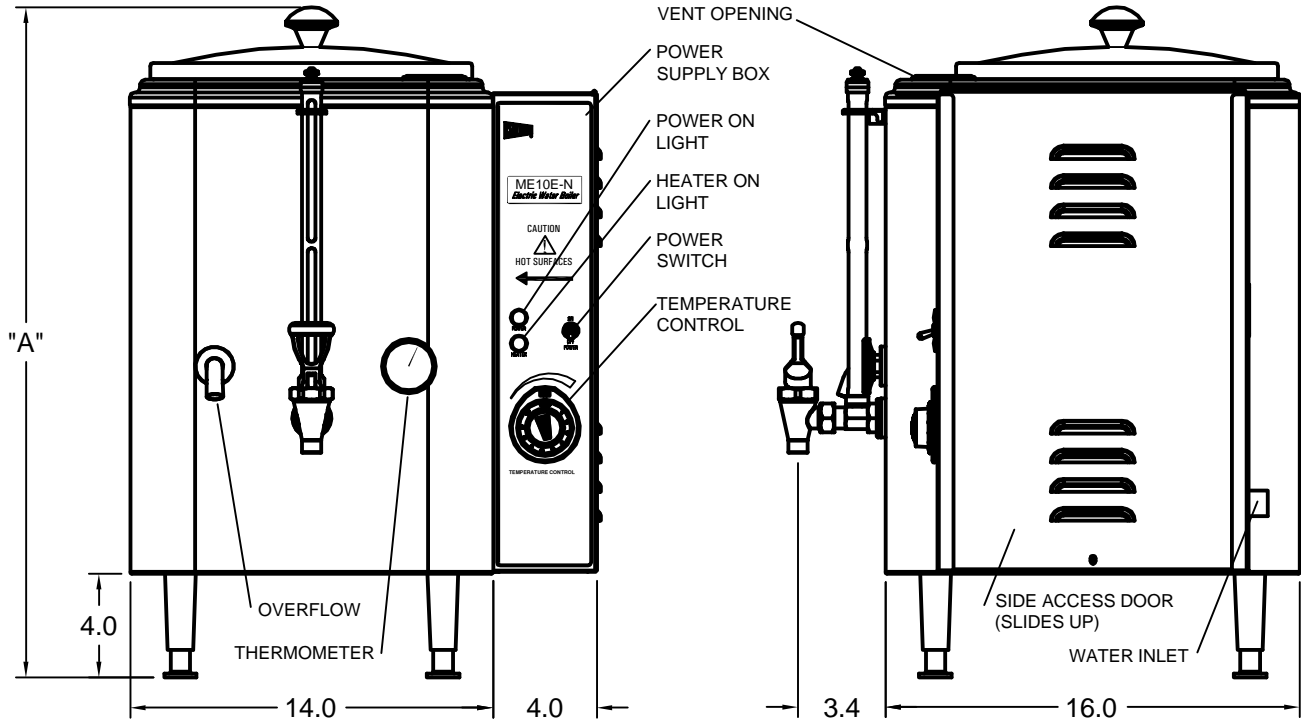


Website: www.cecilware.com

Operation Manual
NP57A 07/13/07

GENERAL SPECIFICATIONS

MODEL NO	WATER CAP. (GAL)	DIMENSION "A" (INCHES)	SHIPPING WT. (LB)
ME10E-N CME10E-N	10.0	26.0	45
ME15E-N CME15E-N	15.0	30.5	50



ELECTRICAL SPECIFICATIONS

MODEL NO	VOLTS	WATTS	AMPS	PHASE	FIELD WIRING SIZE
ME10E-N CME10E-N ME15E-N CME15E-N	120	1,800	15	1	14 AWG
	240	7,000	29.2	1	10 AWG
	208	5,300	25.5	1	10 AWG
	240	10,500	25	3	10 AWG
	208	7,900	22	3	10 AWG

NOTE:

1. FIELD WIRING MUST BE SUITABLE FOR 75 DEGREES CELSIUS.
2. USE COPPER WIRE ONLY FOR POWER SUPPLY CONNECTION.
3. 120 VOLT UNITS SUPPLIED WITH A GROUNDED 120V-15A LINE CORD AND PLUG.

AUTOMATIC HOT WATER BOILER

WARRANTY

Every Cecilware product has been carefully inspected before shipment. The finest materials and the highest standards of workmanship have been built in to the equipment.

Within 1 year of purchase, should any Cecilware product show defect in factory workmanship or material, we agree to repair at our option or replace without cost to user, such parts which prove upon factory inspection to have been so defective. All equipment must be shipped transportation charges prepaid for acceptance. This warranty covers replacement parts only; labor charges are covered for 90 days after installation.

This warranty does not apply under the following conditions:

- neglect or abuse of equipment
- excessive lime condition
- improper installation
- any outside modification to equipment

Every Cecilware urn body is covered for three years. This warranty covers the stainless steel body and stainless steel liners only.

Portable equipment such as Electric Fryers, Food Warmers, Electric Stoves, Dispensers, Plug-In Urns, Coffee Brewers and Warmers must be returned to the factory or brought to an authorized service station for repair.

UNPACKING INSTRUCTIONS:

Carefully unpack the water boiler and inspect immediately for shipping damages. Your automatic water boiler was shipped in a carton designed to give maximum protection in normal handling. It was thoroughly inspected before leaving the factory and the carrier accepted and signed for it. File any claims for shipping damage or irregularities directly with the carrier.

ASSEMBLY:

The four legs, faucet, vent cap drain, and hose nut are packed separately with the water boiler. Install legs by tilting the water boiler on its side and screwing the legs in the leg supports until hand tight. Carefully right the unit and install it in its permanent location, being sure to leave at least 6" on the right side of the water boiler for access to the controls. Level the unit by adjusting the bottom pad of the legs. Place the vent cap in to the recess in the top of the unit. Mount the faucet assembly on to the shank.

INSTALLATION INSTRUCTIONS FOR WATER BOILERS

Water boilers are shipped with the thermostats in the OFF position. Do not turn the thermostat on before filling the water boiler with water.

NOTE: When positioning the unit, leave a minimum of 6" clearance on the right side of the water boiler for ease of service.

ELECTRICAL HOOK-UP PROCEDURES: FOR QUALIFIED SERVICE PERSONNEL ONLY

NOTE: Always check the rating plate of the unit for proper voltage and current requirements.

1. 120V water boilers are provided with 120V/15A grounding plug. Units must have a separate 120V/15A outlet.
2. 208/240V water boilers are provided with a terminal block inside the control box. Field wiring must be performed by a qualified serviceman. 1 and 3 phase hook-up for units with terminal blocks. To access terminal block, remove the fastener on the cover and slide off cover. Install a suitable conduit and connect copper wires to terminal L1 and L2 (and L3 for 3 phase unit only) and a #14 AWG ground wire to the ground lug.

WATER HOOK-UP PROCEDURE:

Water Inlet Connection:

This equipment is to be installed to comply with the applicable Federal, State, or local plumbing codes having jurisdiction. In addition:

1. A quick disconnect water connection or enough extra coiled tubing (at least 2x the depth of the unit) so that the machine can be moved for cleaning underneath.
2. An approved back flow prevention device, such as a double check valve to be installed between the machine and the water supply.

The unit is equipped with a ¼" Flare Water Inlet Fitting which is located on the back of the control box.

NOTE: Connecting the water boiler to a warm water supply will speed up heating and recovery times.

HIGHLY RECOMMENDED:

A WATER SHUT-OFF VALVE and A WATER FILTER, preferably a combination Charcoal/Phosphate Filter, to remove odors and inhibit lime and scale build up in the unit.

Note: In areas with extremely hard water, a water softener must be installed in order to prevent a malfunctioning of the equipment and in order not to void the warranty.

PRIMING AND FILLING A UNIT:

Connect unit to power line (plug cord into line for 120V unit or turn on switch for the 208/240V units). Turn on the water supply. The unit fills at the rate of 1 gallon per minute. When the water level becomes visible in the sight gage, turn the thermostat clockwise to maximum position. The unit will now automatically fill to capacity and heat the water.

CLEANING INSTRUCTIONS:

DAILY: Wipe the outside of the unit with a damp cloth, using soap solution or a non-abrasive compound when required.

SANITIZING THE UNIT:

With power to the unit disconnected, fill unit to capacity. Add 1 ounce of CLOROX BLEACH (5.25%) for every gallon of water in the unit (400 PPM). Let the solution stand in the unit for 15 minutes, then drain all water from the unit slowly. If the unit is not to be used again immediately after sanitizing—do not rinse with water. If the unit is to be used immediately after sanitizing—rinse with water before refilling the unit for further use.

COMPONENT TESTS

A) Thermostat Adjustments:

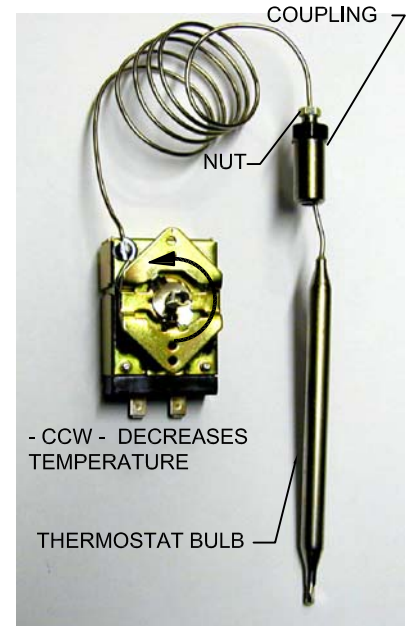
The Thermostat is factory set for proper dispense temperature of 190°F with the control shaft set to the maximum clockwise position. If field adjustments are needed proceed as follows:

To DECREASE temperature, turn the control knob slightly in the COUNTERCLOCKWISE direction.

For qualified technicians ONLY:

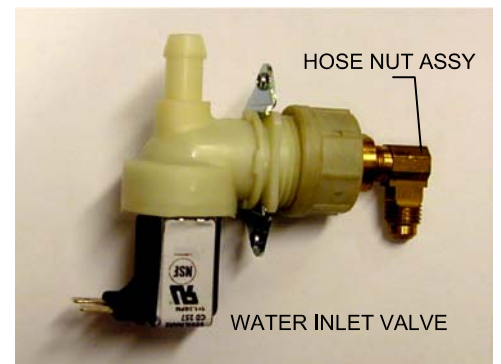
Remove the knob and locate the Slotted Adjustment Screw inside the hollow thermostat shaft. Using a narrow-bladed screwdriver, engage slotted adjustment screw and turn it ¼ turn slowly counter-clockwise (CCW).

Allow a few minutes for the temperature to reach set level. The Heater Light will go ON, indicating the heating element is activated, wait for it to go OFF, indicating that the water has reached NEW set temperature. Take a temperature reading and repeat if necessary.



B) Water Inlet Valve Test

Turn power OFF. If the water level rises inside a partially filled tank, the Water Inlet Valve is leaking. Disconnect wires from the Water Inlet Valve coil and connect a 2 wire line cord to the terminals. Plug it into a 115V outlet. If water flows in and stops when you pull it out, the Valve is working fine. Repeat this test a few times. The problem may be in the Probe or Water Level Control Board. If the water does not flow in when the cord is plugged into an electrical outlet, the Solenoid coil may be damaged, opened or the valve may have an obstruction preventing the water from flowing in. Clean or replace it.

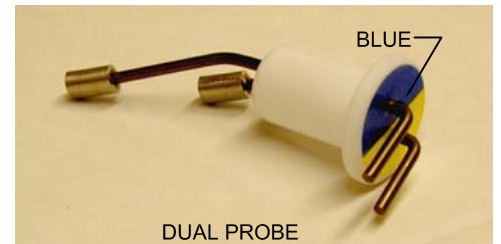


C) Dual Probe Test

If lack of water persists, check the probe as follows:

Turn on the power and water supply. Check inside the tank to make sure the water is below the Probe. Pull the BLUE wire and terminal OFF the Probe rod. If water still does not flow after the wire is disconnected from the Probe, the problem may be in the Solid State Dual Level Control Board.

If water starts flowing into the tank, the Probe may be grounded, due to excessive liming. Check with Ohm meter. Clean or replace probe.



D) Dual Probe Liquid Level Controller Test

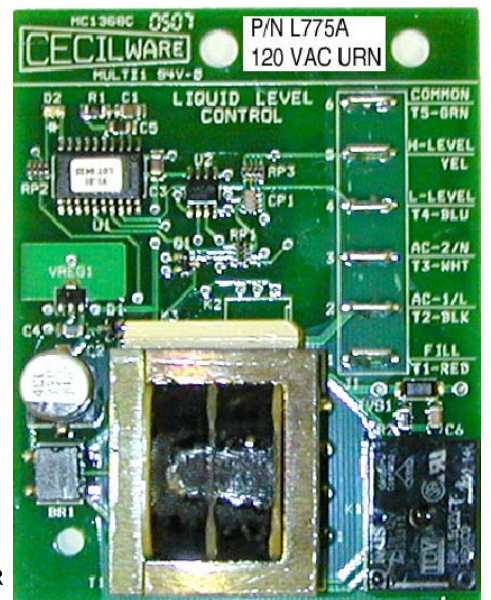
Check the Controller as follows:

1. Make sure there is power input to the Controller at the terminals AC1 & AC2

Your voltmeter should read 115 Volts. It should read the same at terminals AC1 & FILL when the water level is low. This is the output power to actuate the coil of the Solenoid Valve to open it. The lack of voltage at terminals AC1 & L-LEVEL or H-LEVEL indicates that the Controller is not working properly.

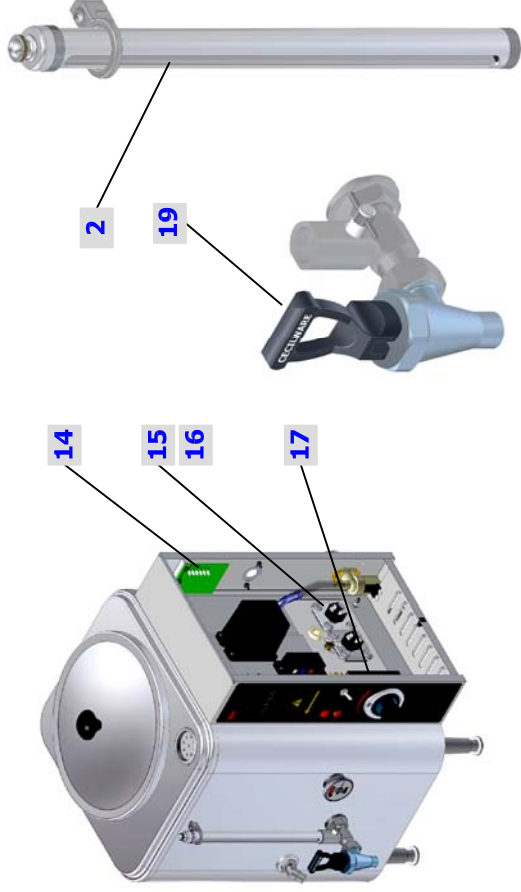
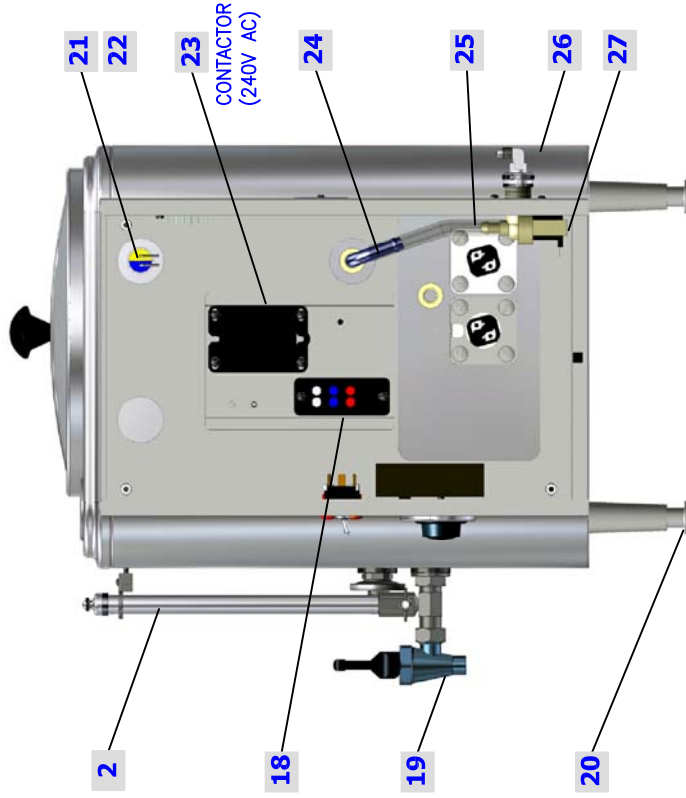
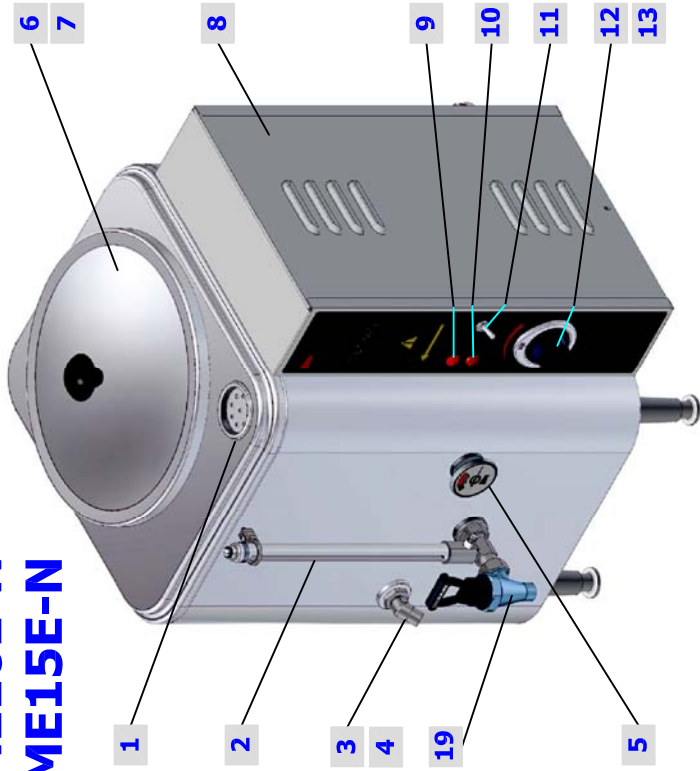
2. Make sure all wire connections are tight, including ground.

3. If after this, the Controller is still failing to open the Water Inlet Valve, replace it.



DUAL PROBE CONTROLLER

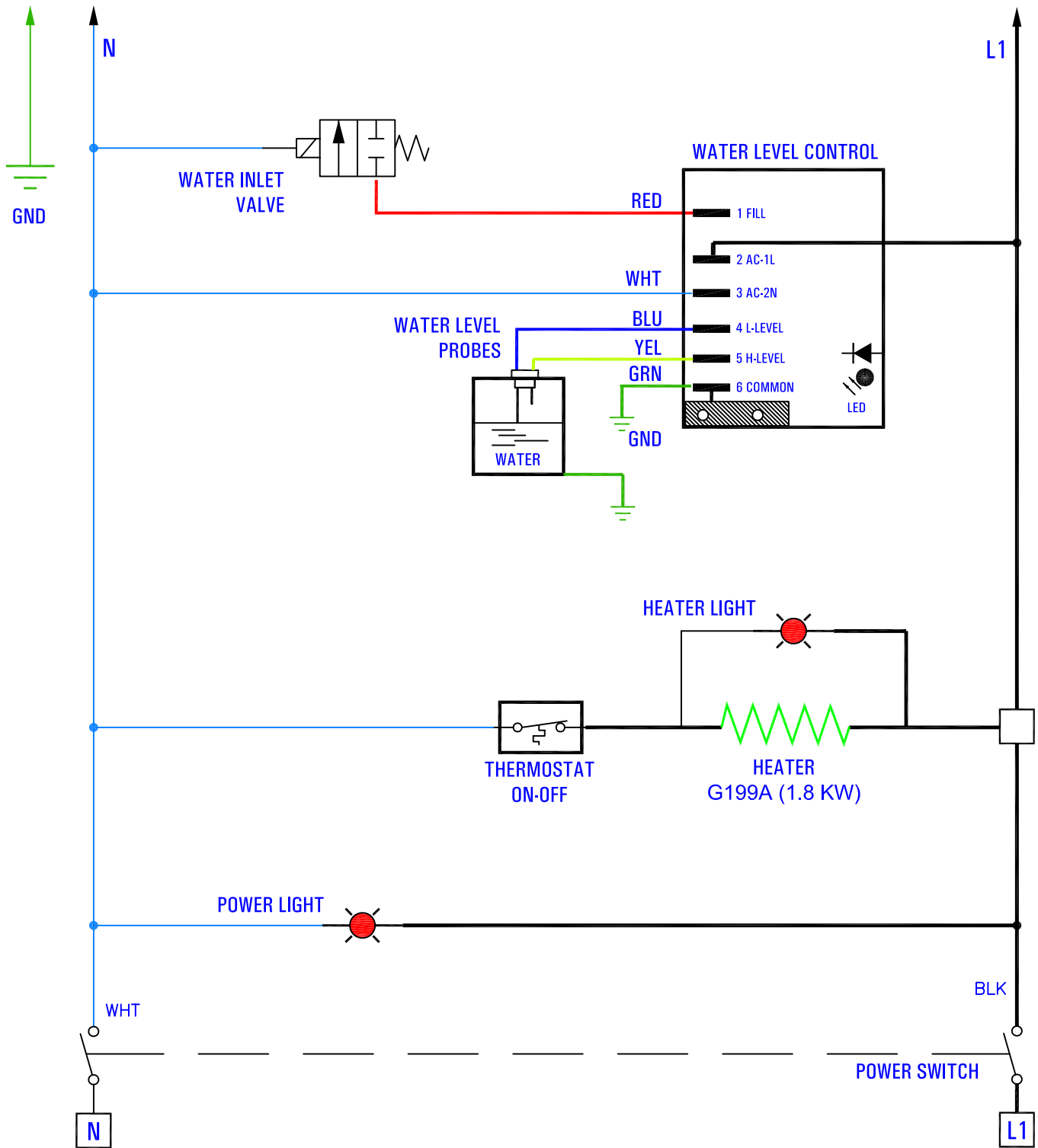
ME10E-N ME15E-N



PARTS LIST

ITEM	DESCRIPTION	ME10E-N	ME15E-N	QTY
1	VENT CAP DRAIN	U019A	U019A	1
2	GAUGE ASSEMBLY	D020B	D018A	1
3	OVERFLOW DRAIN ASSEMBLY	H429Q	H433Q	1
4	OVERFLOW SPOUT W/ NUT	E009A	E009A	1
5	DIAL THERMOMETER	L007A	L007A	1
6	COVER W/ KNOB	Q102Q	Q102Q	1
7	SILICONE GASKET	M607A	M607A	1
8	SIDE BOX COVER	SZ09A	SZ12A	1
9	PILOT LIGHT - RED	C165A	C165A	1
10	PILOT LIGHT - AMBER	C002A	C002A	1
11	ON - OFF SWITCH 20 AMP	L299A	L299A	1
12	THERMOSTAT KNOB	M008A	M008A	1
13	THERMOSTAT BEZEL	M016A	M016A	1
14	DUAL LEVEL CONTROL BOARD 120V	L775A	L775A	1
14	DUAL LEVEL CONTROL BOARD 240V	L776A	L776A	1
15	HEATER ELEMENT 120V	G199A	G199A	1
15	HEATER ELEMENT 240V	G197A	G197A	2
15	HEATER ELEMENT 240V 3 PH	G197A	G197A	3
16	HEATER GASKET	M018A	M018A	1
17	THERMOSTAT	L780A	L780A	1
18	TERMINAL BLOCK 3 POSITION	B000A	B000A	1
18	TERMINAL BLOCK 4 POSITION	B157A	B157A	1
19	FAUCET, SHANK W/ VALVE	D022Q	D022Q	1
20	4 INCH LEGS S.S. - SET OF 4	M005S	M005S	1
21	SILICONE SEAL 15mm	M462A	M462A	1
22	LEVEL SENSOR - DUAL PROBE	K810Q	K810Q	1
23	CONTACTOR 2 POLE, 30-40 AMP 220V	B178A	B178A	1
23	CONTACTOR 3 POLE, 50 AMP 240V	C036A	C036A	1
24	SILICONE SEAL 12mm	M461A	M461A	2
25	HOSE WATER INLET 5" LONG	M326A	M326A	1
26	HOSE NUT ASSEMBLY	K491B	K491B	1
27	WATER INLET VALVE 120V	C0257	C0257	1
27	WATER INLET VALVE 220V	C0258	C0258	1

ELECTRICAL DIAGRAM ME10E-N, ME15E-N 120 VOLTS

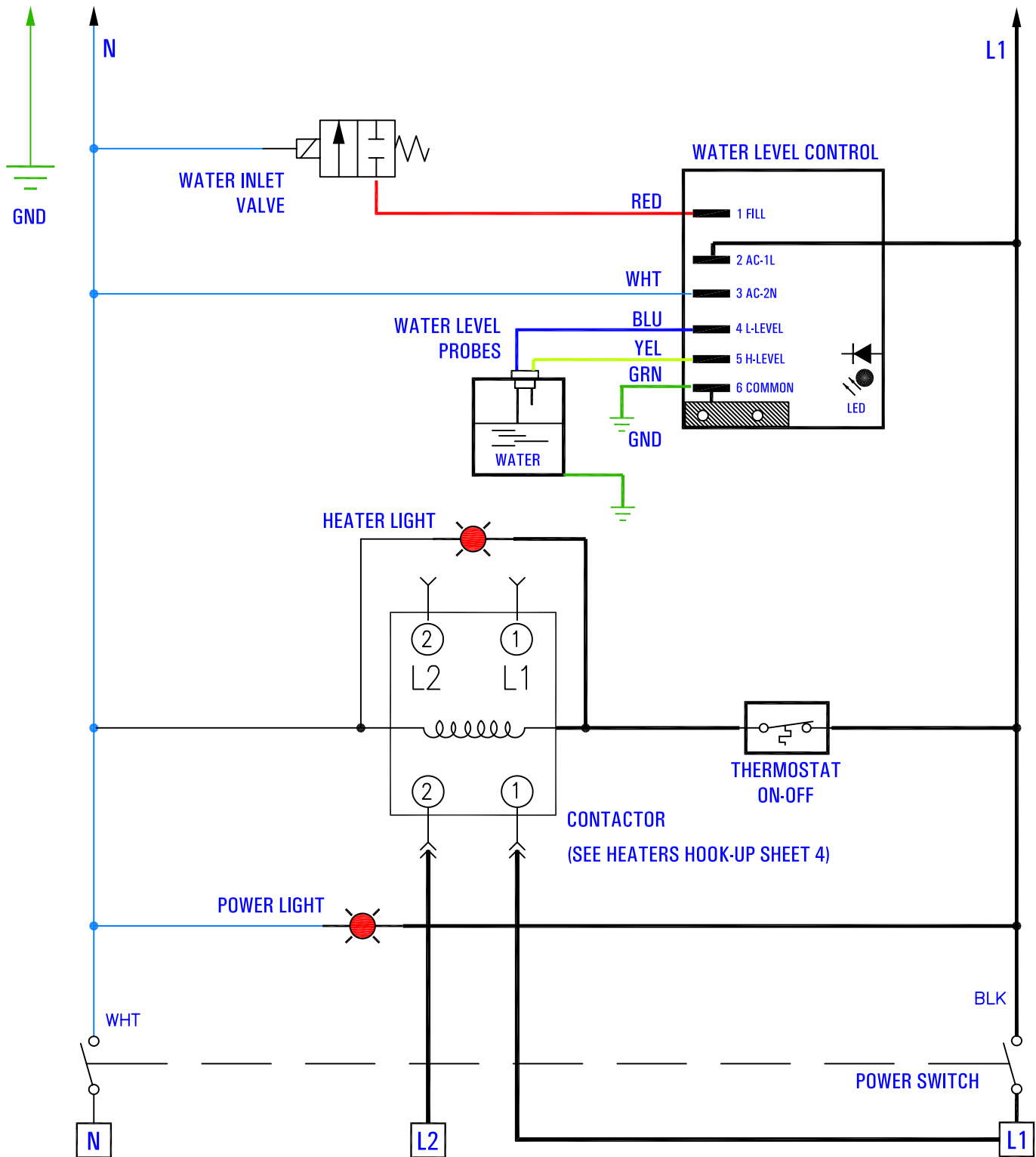


SHEET 1 of 4

				APP'D BY	DATE	PART NO NE267
REV	BY	DATE	DESCRIPTION	DRAWN BY G.V.	DATE 04/26/2006	SCALE 1 : 1
CECILWARE CORPORATION				43-05 20 AVE. L.I.C. NY 11105		
TITLE: ELECTRICAL DIAGRAM						REV.

NE267

ELECTRICAL DIAGRAM ME10E-N, ME15E-N 120/ 240 VOLTS

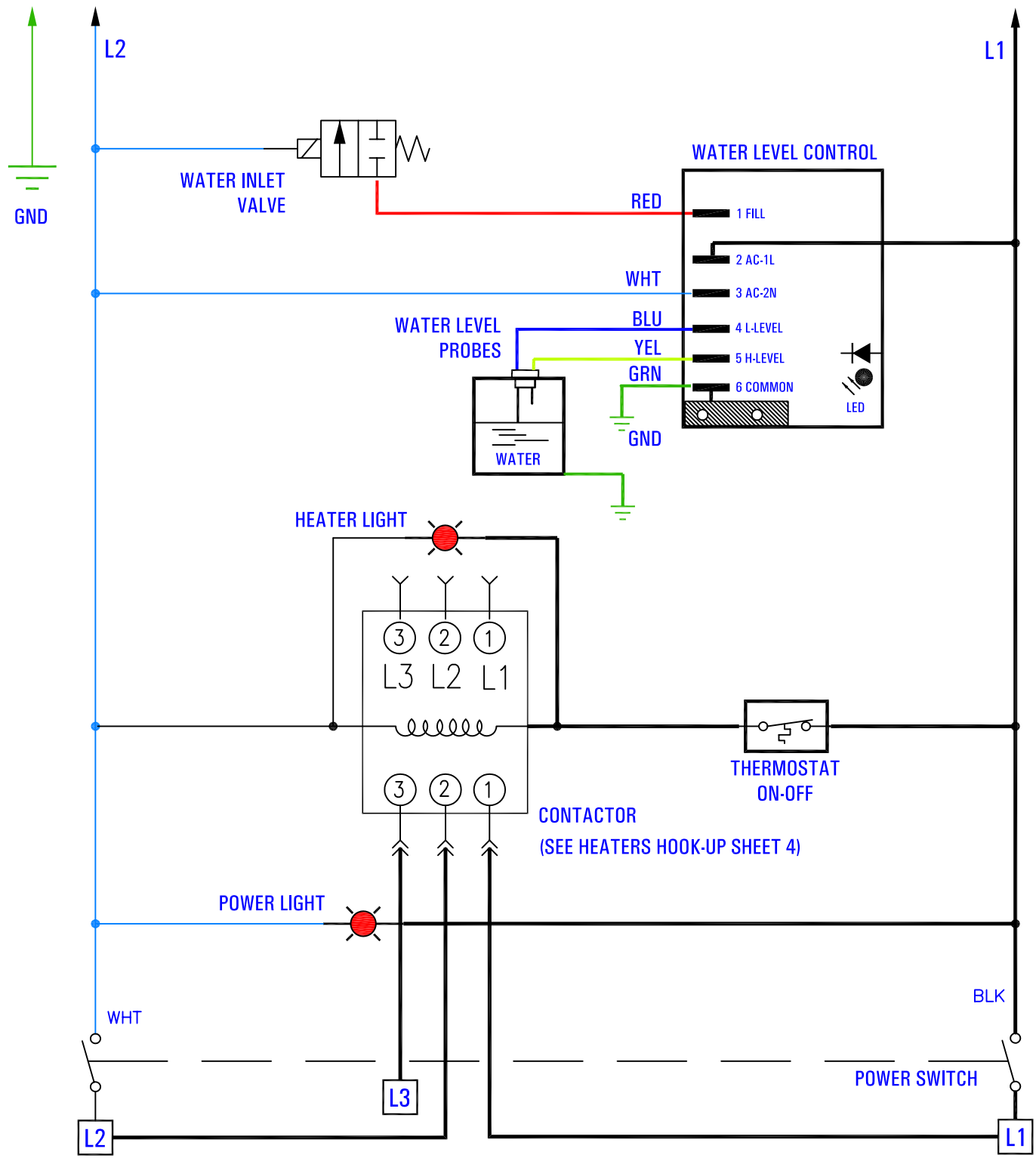


SHEET 2 of 4

REV	BY	DATE	DESCRIPTION	APP'D BY	DATE	PART NO NE267
					04/26/2006	SCALE 1 : 1
CECILWARE CORPORATION						
43-05 20 AVE. L.I.C. NY 11105						
TITLE: ELECTRICAL DIAGRAM						REV.

NE267

ELECTRICAL DIAGRAM ME10E-N, ME15E-N 240 VOLTS



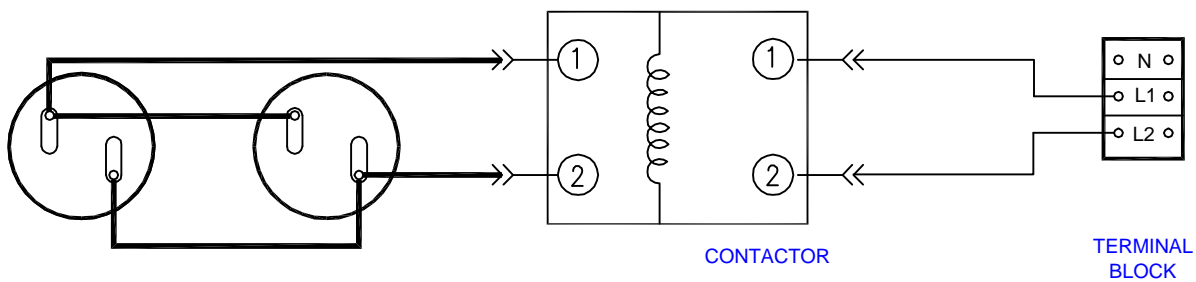
SHEET 3 of 4

REV	BY	DATE	DESCRIPTION	APP'D BY	DATE	PART NO NE267
					04/26/2006	SCALE 1 : 1

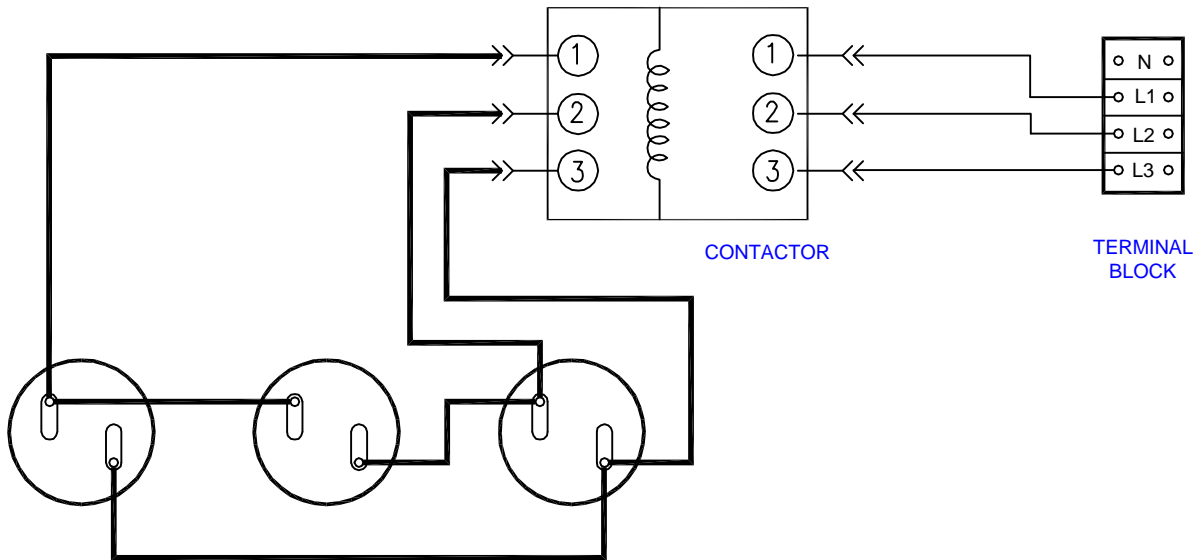
CECILWARE CORPORATION 43-05 20 AVE. L.I.C. NY 11105

NE267

ELECTRICAL DIAGRAM ME10E-N, ME15E-N 240 VOLTS HEATERS HOOK-UP



1 PHASE 240 VOLTS
G197A (2 x 3.5 KW)
TOTAL: 7 KW



3 PHASE 240 VOLTS
G197A (3 x 3.5 KW)
TOTAL: 10.5 KW

REV	BY	DATE	DESCRIPTION	APP'D BY	DATE	PART NO NE267
				DRAWN BY G.V.	DATE 04/26/2006	SCALE 1 : 1
CECILWARE CORPORATION 43-05 20 AVE. L.I.C. NY 11105						
TITLE: ELECTRICAL DIAGRAM						REV.