

Item#

Project

Date

Models: PBVSA-330, PBVSA-430



Models PBVSA-430 & PBVSA-330



Model PBVSA-330



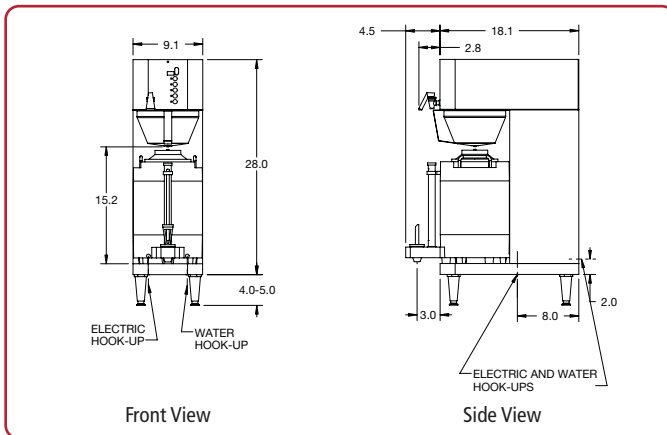
Model PBVSA-430
(Shown with optional 3.0L airpot)

Features

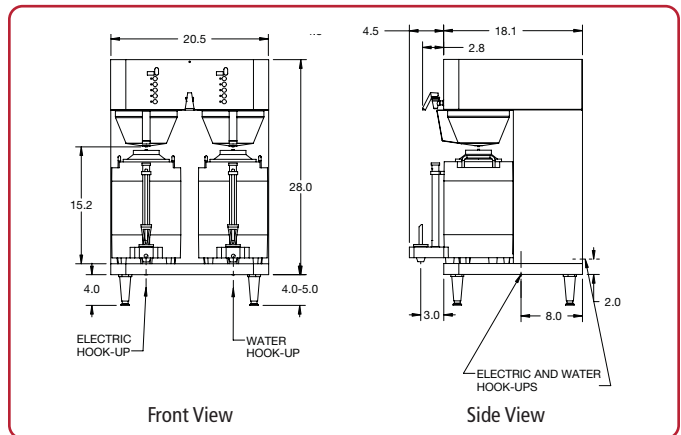
- Model PBVSA-330 is a single, digitally controlled brewer. It includes (1) vacuum insulated, VS-1.5 Shuttle® without stand*.
- Model PBVSA-430 is a twin, digitally controlled brewer. It includes (2) vacuum insulated, VS-1.5 Shuttles® without stand*.
- The VS-1.5 Shuttle® is a 1.5 gallons (5.7L) vacuum insulated, stainless steel container. When used with available stand, it is portable and will maintain freshly brewed coffee hot without additional heat.
- Programmable Pre-Infusion – Allows the operator complete control over the initial soaking of the grounds independently from Pulse Brewing feature.
- Programmable Energy Saving Feature – Allows the brewer to go into energy conservation mode after three hours of inactivity.
- Improved Operator Feedback – Real-time feedback provides operator with: 1) a brew cycle countdown timer; instant knowledge of when the spray-over will finish. 2) a scrolling dripping message indicating that the brew basket is draining. 3) a scrolling done message indicating that the brew cycle is completely done.
- Programmable Drip Time – Allows operator to control the length of time the brew basket will remain locked after the spray over is completed.
- The following brew variables are programmable through the front display: Water temperature, brew volume, pulse brewing sequence, bypass percentage, low temp/no brew.
- Precise Brew Temperature – The brewer will hold the brew temperature to +/- 1°F during the complete brew cycle.
- 3 Brew Volumes – From ½ gallon (1.9L) to 1½ gallons (5.7L). Each volume can be set by 'teach' mode to eliminate trial-&-error set-up.
- Bumper guides allow brewer to brew into 3.0L airpots. (Airpots sold separately).

Models & Dimensions

PBVSA-330 Single, Digitally Controlled Brewer



PBVSA-430 Twin, Digitally Controlled Brewer



Specifications

Model	Description	Dimensions (H x W x D)	Ship Dimensions (H x W x D)	Electrical	Ship Weight
PBVSA-330	Single, digitally controlled brewer brews into (1) vacuum insulated, VS-1.5 Shuttle® (included) without stand.	28" x 9" x 18" (71 cm x 23 cm x 46 cm)	33" x 11" x 26" (83 cm x 28 cm x 66 cm)	120/240V, 6600W, 28A 120/208V, 5000W, 24A	55 lbs. (25 kg)
PBVSA-430	Twin, digitally controlled brewer brews into (2) vacuum insulated, VS-1.5 Shuttles® (included) without stand.	28" x 20.5" x 18" (71 cm x 52 cm x 46 cm)	33" x 27.5" x 22" (83 cm x 69 cm x 55 cm)	120/240V, 6600W, 28A 120/208V, 5000W, 24A	100 lbs. (45 kg)

Plumbing: 3/8" (9.5 mm) flare water line at 30 - 80 psi required. **Electrical:** Line cord not included. Export voltage available, see International guide. **Capacity:** 5 oz. (148 ml) cups/hour (140°F Δ T) PBVSA-330 @ 240V = 460, @ 208V = 385. PBVSA-430 @ 240V = 500, @ 208V = 385. Contact Grindmaster-Cecilware™ for more information. Specifications subject to improvement or change without notice.

Accessories

Model	Description
VS-1.5	Additional vacuum insulated Shuttle®.
VS-5	Shuttle® stand.
BB1.5WP	13" x 5" filter paper for BB1.5SS - 500/case.
BB2.0WP	14" x 6" filter paper for BB2.0SS - 500/case.
DP-15	Drip pan for PBVSA-430.
DP-8	Drip pan for PBVSA-330.
APF3.0-B	3.0 L airpot.

Options

Model	Description
BB2.0SS	Gourmet brew basket.
A418-032	Gourmet spray head.
AOPT-248	3-heater 15 KW (high output) PBVSA-430 only.
AOPT-303	Master power switch.
AOPT-304	Shuttle® lockout switch - single.
AOPT-305	Shuttle® lockout switch - twin.

