

Model: _____ Item #: _____ Date: _____

Project: _____ Qty: _____ Approved By: _____



BS84L-KSS-LRR Shown

Following sizes also available:

- 36" Single Door
- 60" Two Door
- 84" Three Door
- 108" Four Door

Standard Features

Electrical	115 V, 1 Phase, 60 Hz. Furnished with 8'-0" plug-in cord, which exits left rear of cooler. NEMA 5-15P Plug Configuration. Dedicated 15 Amp circuit recommended. 1 Door Model: 3.6 Full Load Amps, 1/5 HP 2 Door Model: 6.0 Full Load Amps, 1/4 HP 3 Door Model: 9.0 Full Load Amps, 1/3 HP 4 Door Model: 7.0 Full Load Amps, 1/3 HP																				
Refrigeration	Self-contained 134A Refrigerant. 30°F-40°F operating range Digital Thermostat on front grille																				
Case Capacity	<table border="1" style="width: 100%; text-align: center;"> <thead> <tr> <th></th> <th>36"</th> <th>60"</th> <th>84"</th> <th>108"</th> </tr> </thead> <tbody> <tr> <td>Long Neck Bottles:</td> <td>7</td> <td>12</td> <td>24</td> <td>30</td> </tr> <tr> <td>12 oz. Cans:</td> <td>10</td> <td>20</td> <td>34</td> <td>40</td> </tr> <tr> <td>Wine Bottles (each):</td> <td>72</td> <td>106</td> <td>170</td> <td>300</td> </tr> </tbody> </table>		36"	60"	84"	108"	Long Neck Bottles:	7	12	24	30	12 oz. Cans:	10	20	34	40	Wine Bottles (each):	72	106	170	300
	36"	60"	84"	108"																	
Long Neck Bottles:	7	12	24	30																	
12 oz. Cans:	10	20	34	40																	
Wine Bottles (each):	72	106	170	300																	
Interior	20 gauge stainless steel with coved corners. Two adjustable epoxy coated wire shelves with floor rack per door. Door opening: 29-11/16" high x 19-15/16" wide																				
Exterior	Sides: 20 gauge stainless steel or black vinyl Front: 20 gauge stainless steel, black vinyl or glass Back: 20 gauge galvanized steel Top: 20 gauge galvanized steel with option of stainless steel																				
Insulation	2" thick foamed-in-place polyurethane																				
Plumbing	No drain connection required. Condensate evaporator pan included.																				

Optional Accessories

BS-100	Four 6" Stainless Steel Legs
BS-101	Six 6" Stainless Steel Legs (84" & 108" Models)
BS-102	Four 4" Stainless Steel Legs
BS-103	Six 4" Stainless Steel Legs (84" & 108" Models)
BS-106	Left Side Stainless Steel Kick Plate
BS-107	Right Side Stainless Steel Kick Plate
BS-136	36" Stainless Steel Front Kick Plate
BS-160	60" Stainless Steel Front Kick Plate
BS-184	84" Stainless Steel Front Kick Plate
BS-199	108" Stainless Steel Front Kick Plate
BS-130	Four 1" Ultra Low Profile Casters w/ Brakes
BS-131	Six 1" Ultra Low Profile Casters w/ Brakes (84" & 108" Models)
BS-132	Four 2" Low Profile Casters w/ Brakes
BS-133	Six 2" Low Profile Casters w/ Brakes (84" & 108" Models)
BS-134	Four 3" Casters w/ Brakes
BS-135	Six 3" Casters w/ Brakes (84" & 108" Models)

This equipment is intended for the storage and display of non-potentially hazardous bottle or canned products only.

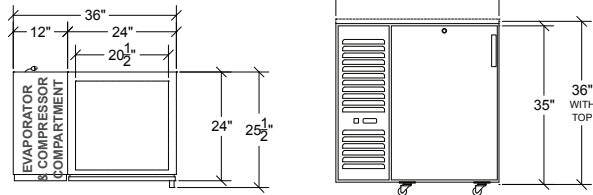


Model: _____ Item #: _____ Date: _____

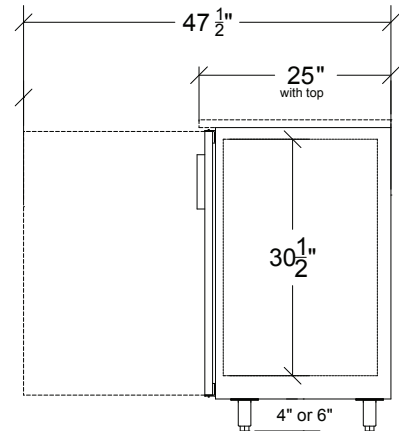
Project: _____ Qty: _____ Approved By: _____

One Door (36")

235 lbs. (250 lbs. with Top)

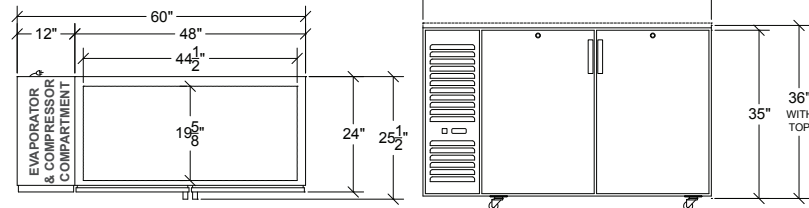


Side View - All Models



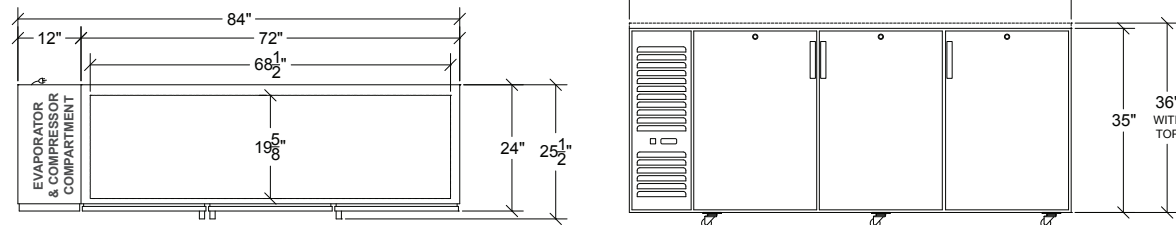
Two Door (60")

360 lbs. (380 lbs. with Top)



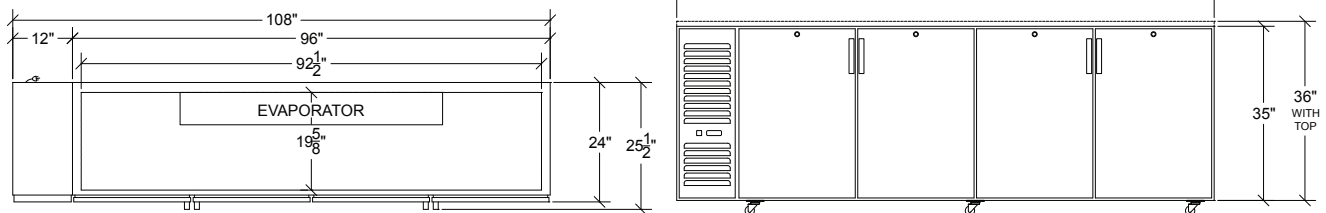
Three Door (84")

480 lbs. (505 lbs. with Top)



Four Door (108")

525 lbs. (580 lbs. with Top)



Note: Optional casters raise height 1" higher than wheel size

Note: Optional 4" or 6" legs available