



FRONT DOOR GLASSWASHER

LOW TEMPERATURE

INSTALLATION AND OPERATION INSTRUCTION MANUAL



MODEL GWD-24



SERIAL NO.

[]



SERVICE INFORMATION

For future reference, record your dishwasher information in the box below.

Model Number _____	Serial Number _____	
Voltage _____	Hertz _____	Phase _____
Service Agent _____	Tel: _____	
Parts Distributor _____	Tel: _____	

SERVICE CONTACT INFORMATION

Krowne Metal Corporation
100 Haul Road
Wayne, NJ 07470

Toll-Free: (800) 631-0442
Phone: (973) 305-3300
Fax: (973) 872-1129
Email: service@krowne.com

ATTENTION:

The model no., serial no., voltage, Hz and phase are needed to identify your machine and to answer questions.

The machine data plate is located on the lower front panel.

Please have this information ready if you call for service assistance.



WARRANTY REGISTRATION FORM

MODEL NO.: _____ SERIAL NO.: _____ INSTALL DATE: _____

NAME OF ESTABLISHMENT: _____ PHONE NO.: _____

ADDRESS: _____ CITY/STATE: _____ ZIP: _____

DEALER NAME: _____ CITY/STATE: _____

INSTALLATION COMPANY: _____

ADDRESS: _____

PHONE NO.: _____

CONTACT: _____

**PLEASE FAX TO (973) 872-1129 TO
COMPLETE REGISTRATION**

**YOU CAN ALSO REGISTER YOUR WARRANTY ONLINE
AT WWW.KROWNE.COM/WARRANTY-GW**

Krowne Metal Corporation

100 Haul Rd. Wayne, NJ 07470 • Toll Free: (800) 631-0442 • Fax: (973) 872-1129
sales@krowne.com • www.krowne.com • www.facebook.com/KrowneMetal • www.twitter.com/KrowneMetal

LIMITED WARRANTY

Krowne Metal Corporation, (herein referred to as "The Company"), 100 Haul Road, Wayne, New Jersey 07470 warrants machines, and parts, as set out below.

Warranty of Machines: The Company warrants all new machines of its manufacture bearing the name "Krowne Metal Corporation" to be free from defects in material and workmanship for a period of one (1) year after the date of installation or fifteen (15) months after the date of shipment by The Company, whichever occurs first. [See below for special provisions relating to glasswashers.] The registration card must be submitted by fax or online with The Company within ten (10) days after installation. If the registration is not submitted to The Company within such period, the warranty will expire after one year from the date of shipment.

The Company will not assume any responsibility for extra costs for installation in any area where there are jurisdictional problems with local trades or unions.

If a defect in workmanship or material is found to exist within the warranty period, The Company, at its election, will either repair or replace the defective machine or accept return of the machine for full credit; provided; however, as to glasswashers, The Company's obligation with respect to labor associated with any repairs shall end (a) 120 days after shipment, or (b) 90 days after installation, whichever occurs first. In the event that The Company elects to repair, the labor and work to be performed in connection with the warranty shall be done during regular working hours by The Company's authorized service technician. Defective parts become the property of The Company. Use of replacement parts not authorized by The Company will relieve The Company of all further liability in connection with its warranty. In no event will The Company's warranty obligation exceed The Company's charge for the machine. The following are not covered by The Company's warranty:

- a. Lighting of gas pilots or burners.
- b. Cleaning of gas lines.
- c. Replacement of fuses or resetting of overload breakers.
- d. Adjustment of thermostats.
- e. Adjustment of clutches.
- f. Opening or closing of utility supply valves or switching of electrical supply current.
- g. Cleaning of valves, strainers, screens, nozzles, or spray pipes.
- h. Performance of regular maintenance and cleaning as outlined in operator's guide.
- i. Damages resulting from water conditions, accidents, alterations, improper use, abuse, tampering, improper installation, or failure to follow maintenance and operation procedures.
- j. Wear on Pulper cutter blocks, pulse vanes, and auger brush.

Examples of the defects not covered by warranty include, but are not limited to: (1) Damage to the exterior or interior finish as a result of the above, (2) Use with utility service other than that designated on the rating plate, (3) Improper connection to utility service, (4) Inadequate or excessive water pressure, (5) Corrosion from chemicals dispensed in excess of recommended concentrations, (6) Failure of electrical components due to connection of chemical dispensing equipment installed by others, (7) Leaks or damage resulting from such leaks caused by the installer, including those at machine table connections or by connection of chemical dispensing equipment installed by others, (8) Failure to comply with local building codes, (9) Damage caused by labor dispute.

Warranty of Parts: The Company warrants all new machine parts produced or authorized by The Company to be free from defects in material and workmanship for a period of 90 days from date of invoice. If any defect in material and workmanship is found to exist within the warranty period. The Company will replace the defective part without charge.

DISCLAIMER OF WARRANTIES AND LIMITATIONS OF LIABILITY. THE COMPANY'S WARRANTY IS ONLY TO THE EXTENT REFLECTED ABOVE. THE COMPANY MAKES NO OTHER WARRANTIES, EXPRESS OR IMPLIED, INCLUDING, BUT NOT LIMITED, TO ANY WARRANTY OF MERCHANTABILITY, OR FITNESS OF PURPOSE. THE COMPANY SHALL NOT BE LIABLE FOR INCIDENTAL OR CONSEQUENTIAL DAMAGES. THE REMEDIES SET OUT ABOVE ARE THE EXCLUSIVE REMEDIES FOR ANY DEFECTS FOUND TO EXIST IN THE COMPANY'S DISHWASHING MACHINES AND THE COMPANY'S PARTS, AND ALL OTHER REMEDIES ARE EXCLUDED, INCLUDING ANY LIABILITY FOR INCIDENTALS OR CONSEQUENTIAL DAMAGES.

The Company does not authorize any other person, including persons who deal in The Company's dishwashing machines to change this warranty or create any other obligation in connection with The Company's Dishwashing Machines.

TABLE OF CONTENTS

Receiving	6
Installation	7
<i>Electrical Connections</i>	7
<i>Water Connection</i>	8
<i>Drain Connection</i>	9
Initial Start-up	10
<i>Chemical Dispensing Pumps</i>	11
Operation	14
<i>Normal Wash Mode</i>	14
<i>Drain Mode</i>	15
Cleaning and Maintenance	16
<i>Cleaning</i>	16
<i>De-liming</i>	19
<i>Maintenance</i>	20
<i>Troubleshooting</i>	21
Service Replacement Parts	23
Electrical Schematics	46
Timer Charts	47

Receiving

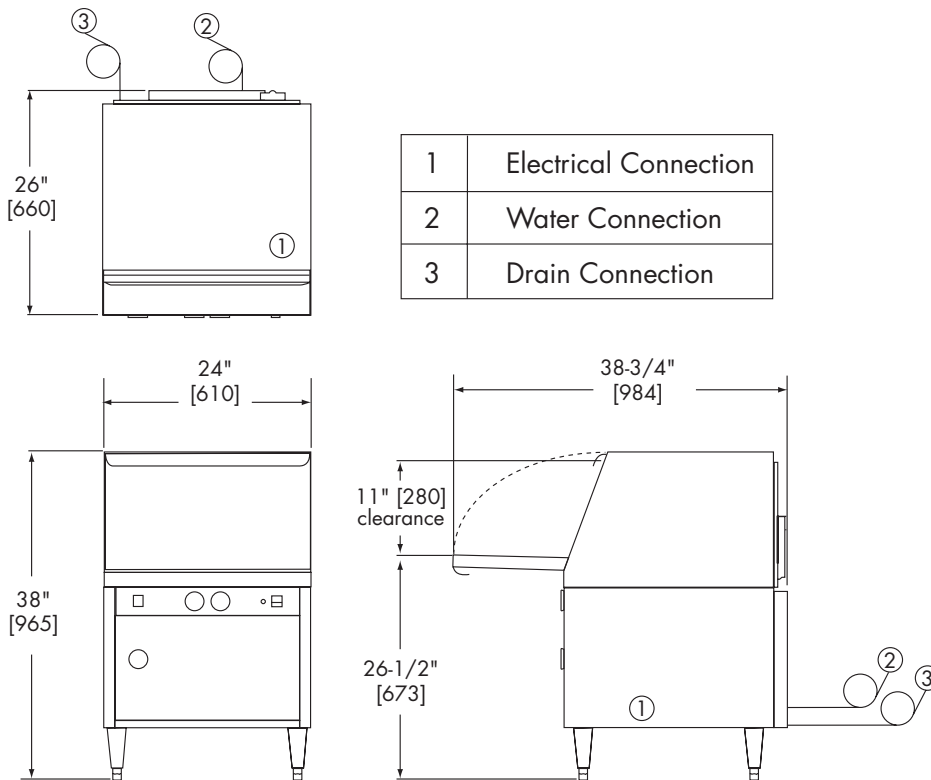
CAUTION:

Be careful when lifting and moving the glasswasher to prevent damage to the machine.

NOTE:

The installation of your glasswasher must be performed by qualified service personnel who will observe all applicable safety, electrical, plumbing, and health codes. Problems due to improper installation are not covered by the Warranty.

1. Inspect the outside of the glasswasher carton for signs of damage.
2. Remove the carton and inspect the glasswasher for damage.
3. Check for any accessories that may have shipped with your glasswasher.
4. Turn to the front of this manual for the instructions to validate your machine warranty online or by fax.
5. Move the glasswasher near its permanent location.
6. Compare the installation site utility connections with the glasswasher utility connections and make sure they are the same.
7. The installation should provide storage space for the glasswasher chemical supply containers. Containers must be placed on the floor and as close to the machine as possible.
8. Place the glasswasher in its permanent location.
9. Level the glasswasher front-to-back and side-to-side.
The machine has 4 adjustable feet for leveling unless equipped with optional casters.



Note: The GWD-24 has a flexible power cord and plug for 115VAC/60/1 operation.

Electrical Connection



WARNING:

Electrocution or serious injury may result when working on an energized circuit.

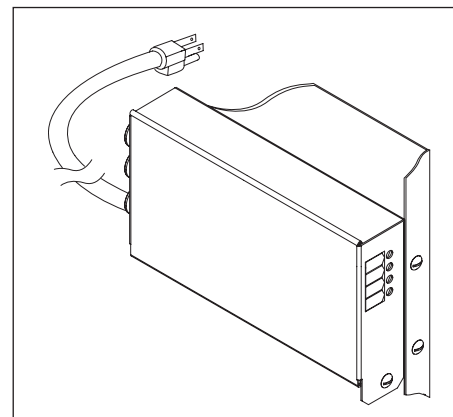
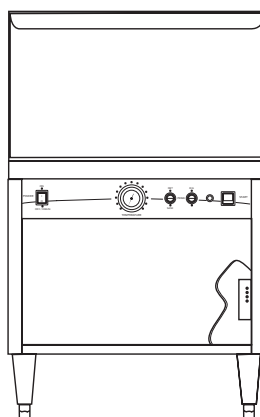
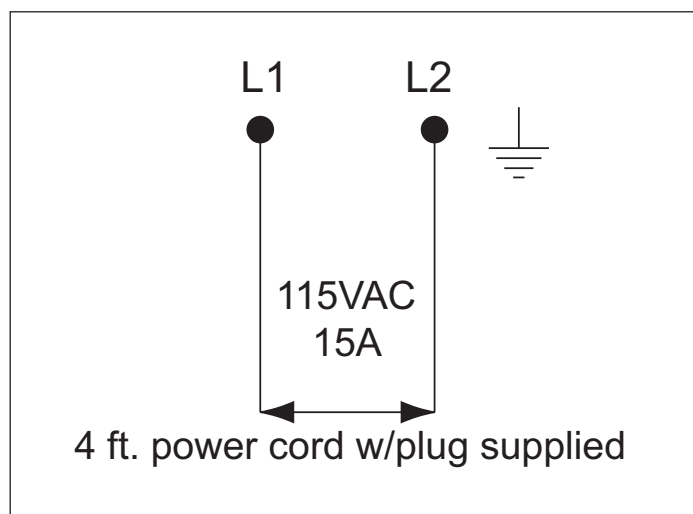
Disconnect power at the main breaker or service disconnect switch before working on the circuit.

Lock-out and tag the breaker to indicate that work is being performed on the circuit.

ATTENTION

A qualified electrician must connect the main incoming power to the glasswasher in accordance with all local codes and regulations or in the absence of local codes in accordance with the National Electrical Code.

1. Glasswasher is equipped with a 4 ft. power cord and plug.
2. The power cord is prewired at the junction box located on the front right side of the machine behind the lower front access panel.
3. This model requires a 115VAC, 15A receptacle.



The power cord is prewired to the junction box located at the lower right-side of the machine behind the lower front access panel.

Water Connection

ATTENTION

Plumbing connections must comply with national, local plumbing and sanitary codes.

IMPORTANT

Make sure that the flexible water supply and drain hoses are not kinked.

1. The unit has a 7 ft./1.8 m flexible hot water fill hose with a 3/4" female garden hose connector.
2. A 1/2" or larger main incoming supply line should be installed to the glasswasher.
3. A 1/2" or larger shut-off valve should be installed in the main water supply as close to the glasswasher as possible for service.
4. The machine has a built-in flow control. The incoming hot water supply pressure must be between 25-95 psi/173-655 kPa.
5. The hot water supply must provide a minimum of 140°F/60°C, measured at the glasswasher.

Drain Connection

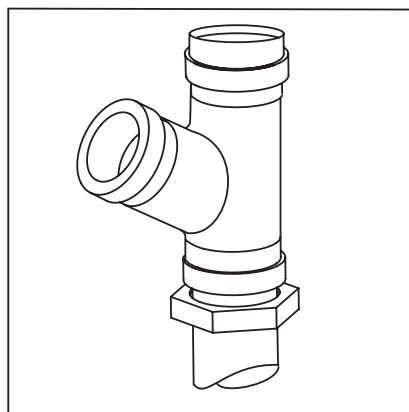
ATTENTION

Do not connect the drain hose to a disposer. The glasswasher will not drain correctly.

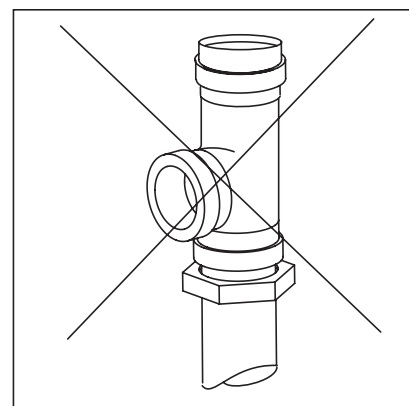
1. This unit has a 6ft. 5/8" I.D. drain hose. The maximum drain height connection must not exceed 3 ft.[.09 m] above the finished floor.
2. The drain hose is located at the rear of the glasswasher.
3. The drain hose is secured to the rear of the machine by a clamp to maintain a goose-neck bend in the drain hose.

DO NOT REMOVE THE DRAIN HOSE RETAINING CLAMP.
DO NOT KINK, STRETCH OR LENGTHEN THE DRAIN HOSE.

4. Install the drain hose to a "WYE" drain fitting. Connection to a "TEE" fitting will prevent the glasswasher from draining completely.
5. The maximum drain flow is 15 US gpm/12.5 Imp gpm/57 Lpm.
6. Make sure the drain hose does not kink. Kinks will prevent the glasswasher from draining completely, and the glasswasher will overflow out the front door.



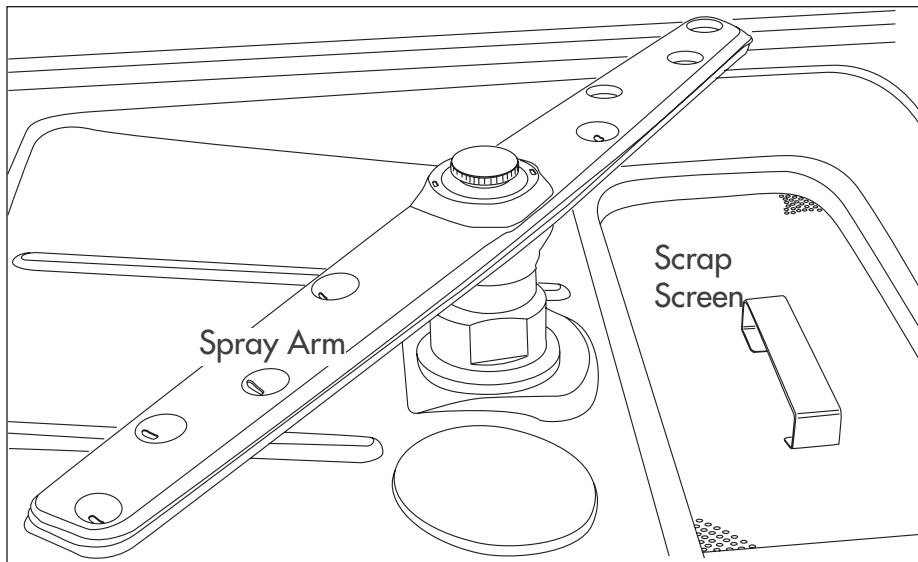
The glasswasher flexible drain hose must be connected to a WYE fitting.



Do not connect the glasswasher flexible drain hose to a TEE fitting.

Check List

1. Make sure the glasswasher is permanently located.
2. Make sure all utility connections are complete.
3. Make sure the flexible drain hose and the hot water fill hose are not kinked.
4. Remove any protective film from glasswasher.
5. Check the interior for foreign material.
6. Remove the scrap screen and check the sump for foreign material.
7. Make sure the chemical supply containers are full and that the chemical pick-up tubes are installed in the proper containers.
8. Make sure the scrap screen is in place.
9. Make sure the spray arm is in place and that it spins freely.
10. Close the glasswasher door.
11. Turn hot water supply on and check for leaks in the main water supply piping connected to the glasswasher.

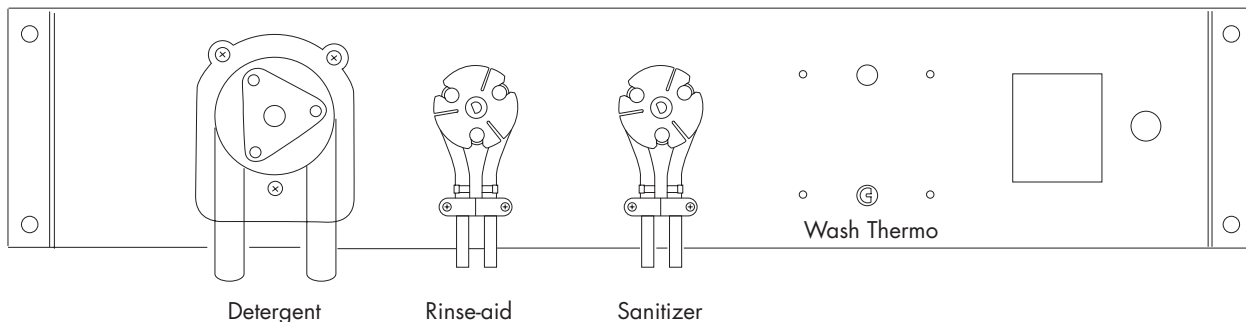


Make sure the scrap screen and spray arm are in place.

Chemical Dispensing Pumps

ATTENTION

5.25% sodium hypochlorite (chlorine bleach) must be used as a sanitizing agent to provide a minimum concentration of 50 ppm in the final rinse. The 50 ppm concentration must be checked using chlorine test strips to make sure the proper concentration is maintained

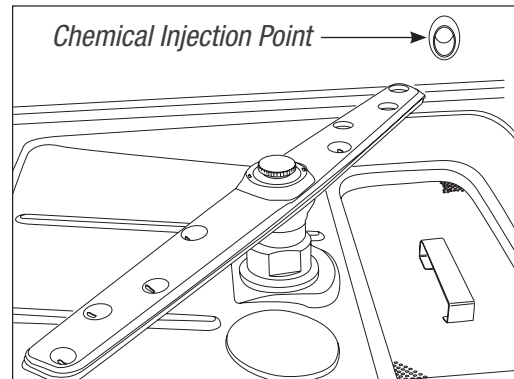
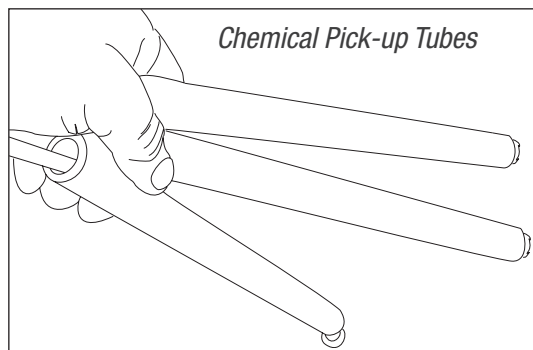


1. Glasswasher is equipped with built-in detergent, rinse-aid, and sanitizer dispensing pumps. (See the illustration above).
2. The pumps are located on a center bracket behind the lower-front access panel.
3. The pick-up tubes are marked with colored labels that identify the type of chemical used:

RED	= Detergent	(Non-chlorinated)
BLUE	= Rinse-Aid	(Consult chemical supplier)
WHITE	= Sanitizer	(5.25% Sodium hypochlorite (chlorine bleach) solution.)

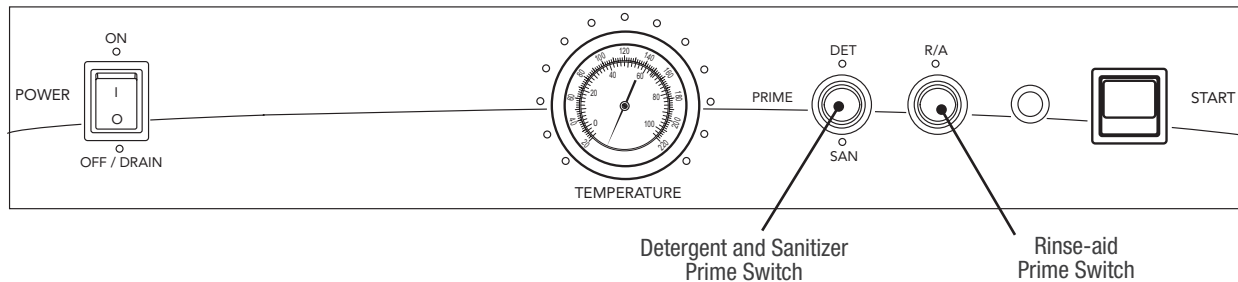
The chemicals enter the wash tank compartment through a fitting on the right rear of the wash compartment.

4. The detergent supply should be a non-chlorinated liquid detergent, the chemical supplier will determine an appropriate rinse agent. Your chemical supplier must adjust the dispensers for the supplied product.
5. Place the chemical supply containers as close to the glasswasher as possible.
6. Do not elevate the chemical containers above the finished floor.



Chemical Dispensing Pumps

Priming the Chemical Dispensing Pumps



1. There are two chemical dispenser prime push buttons on the glasswasher. The first is labeled DET and SAN on the front control panel; the second is labeled R/A.

DET = Detergent

SAN = Sanitizer

R/A = Rinse-aid

2. Make sure the chemical containers are full and the correct pick-up tubes are in their containers.
3. Turn the glasswasher power switch ON. The switch will illuminate and the glasswasher will fill with water.
4. Open the glasswasher door, then push and hold the first prime push button UP to the DET position until detergent enters the wash tank compartment. Release the PRIME push button.
5. Push and hold the prime push button DOWN to the SAN position until sanitizer is observed entering the wash tank compartment. Release the Prime push button.
6. Push and hold the second prime push button UP to the R/A position until rinse-aid is observed entering the wash tank compartment. Release the Prime push button.
7. Run three empty cycles to remove chemicals in the wash tank.
8. Priming is complete.

Chemical Dispensing Pumps

Chemical Dispensing Pump Speed and Tank Fill Adjustments

NOTE:

The chemical dispensing pump speeds are not set at the factory and variations in the type of chemicals supplied by the chemical supplier always require that the supplier make final adjustments for the products supplied.

1. Adjustment screws are provided for the dispensing pumps and for the wash tank fill. They are located on the right-side of the glasswasher behind the lower front access panel.
2. Make sure the chemical containers are full and the pick-up tubes are in the proper containers.
3. Turn the glasswasher power switch ON. The switch will illuminate and the glasswasher will fill with water.
4. The chemical supplier should run a normal glasswasher cycle and test detergent and rinse-aid concentrations according to the chemical supplier's instructions.

CAUTION:

Excessive pressure to the potentiometers when adjusting can result in bent or broken adjusting screws.

5. Each dispensing pump has a clearly marked adjustment screw. Turn the screw CW to increase the time of the dispensing pump and CCW to reduce the dispensing pump time.
6. The Fill adjustment screw will provide a small change in the tank water level. If a large adjustment is needed, then check the incoming water pressure making sure the fill hose is not kinked. If the above items are okay then the size of the incoming water supply should be evaluated.

7. Detergent, rinse-aid and sanitizer are used.

5.25% sodium hypochlorite (chlorine bleach) must be used as a sanitizing agent to provide a minimum concentration of 50 ppm in the final rinse. The 50 ppm concentration must be checked using chlorine test strips to make sure that the proper concentration is maintained.



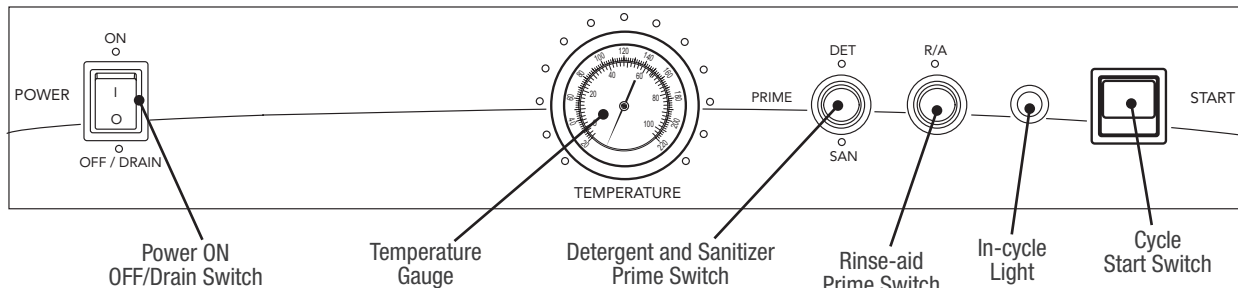
Turning the chemical dispenser adjusting Screws increase or decrease the chemical dispensed.



Proper Water Level in the Wash Tank.

Operation

Normal Wash Mode



GWD-24 Control Panel

1. Push the POWER switch up to the ON position. The switch illuminates and water enters the wash compartment.
2. Check the temperature gauge to ensure that it indicates a minimum of 140°F/60°C.
3. Prescrap and load wares into the appropriate dish rack. Do not overload dish rack. Load wares in a peg rack; load silverware in a single layer in a flat-bottom dish rack. Overloading dish rack will result in poor washing results.
4. Open glasswasher door and slide dish rack into the machine. Load 1 dish rack per wash cycle.
5. Close the glasswasher door. Press and hold START button for 1 second. The cycle light illuminates and the wash cycle begins.
6. Check the temperature gauge during the final rinse cycle to ensure the final rinse temperature indicates a minimum of 140°F/60°C during the final rinse.
7. The green in-cycle light goes out completing the cycle. The final rinse water is held for the next wash cycle.
8. Open the glasswasher door and remove the dish rack of clean wares.
9. Repeat steps 2-8 for additional cycles.

NOTE:

Opening the door stops the cycle. When the glasswasher door is closed the cycle automatically restarts from the beginning of the cycle.

Operation

Drain Mode

1. Push the glasswasher POWER switch up to the ON position.
2. The POWER switch illuminates and the machine fills with water.
3. Press and hold the green START button for 1 second.
4. Release the START switch.
5. The glasswasher starts and the green cycle light illuminates.
6. Check the temperature gauge to confirm that it displays the correct incoming hot water temperature. This may take several minutes for the wash tank to reach temperature.
7. When the glasswasher stops, push the POWER switch down to the OFF/DRAIN position.
8. After a 4 second pause, the green cycle light will illuminate, the machine will drain, fill with water; and perform 3 short cycles and then drain completely.
9. The green cycle light goes out when the machine has drained completely.

Cleaning

The best preventative maintenance is keeping the glasswasher as clean as possible during regular use. A regular cleaning schedule will increase the life of the glasswasher and ensure the best washing results.

CAUTION:

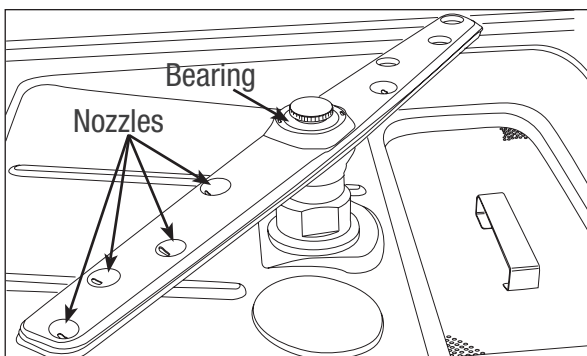
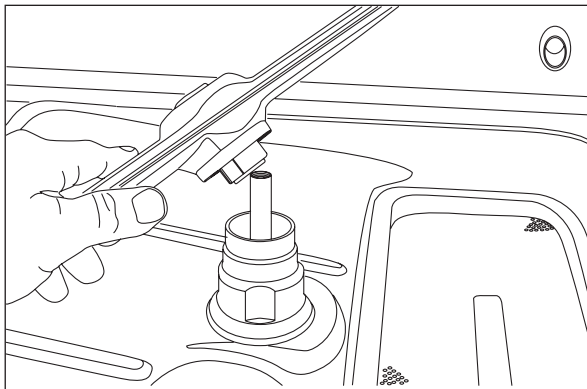
Damage to the unit or improper operation may occur if components are not flushed and cleaned on a regularly scheduled basis.

After Each Meal Period or Every 8 hours of Operation

1. Remove the scrap screen and flush with clean water. Be sure to backflush the screen.
2. Inspect the sump and pump intake screen and clean as required.
3. Reassemble the machine and return to normal operation.

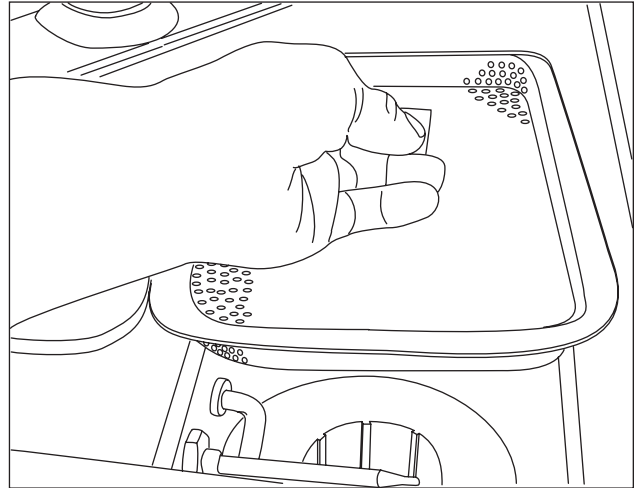
Daily-End of the Day

1. Push the POWER switch to the OFF/DRAIN position and close the door to drain the tank. The green in-cycle light will illuminate indicating the machine is in the drain cycle.
2. After the green in-cycle light goes out, open the door and remove the lower spray arm.
3. Backflush the spray arm with clean water to remove any debris from the spray nozzles. Do not strike the spray arm against solid objects

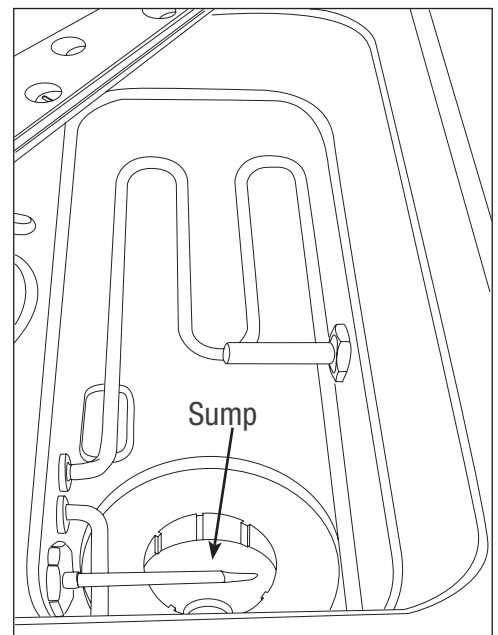
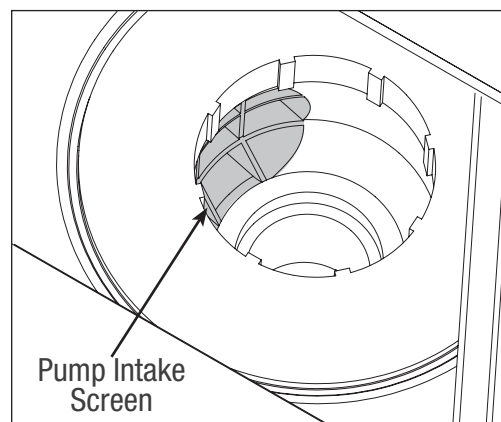


Cleaning

4. Remove and clean the scrap screen by rinsing with clean water. Be sure to backflush the screen. Do not strike the screen on hard surfaces.



5. Inspect the sump and remove any foreign material.
6. Clean the pump intake screen. The pump intake screen is not removable.
7. Reinstall the scrap screen.

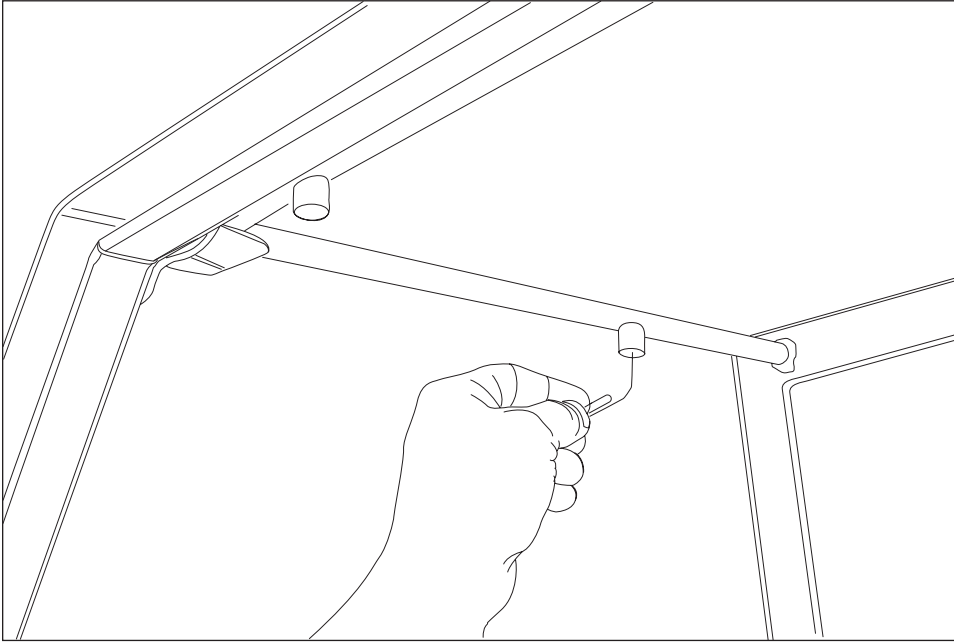


continued on next page

Cleaning

Daily-End of the Day *(continued)*

8. Using a small paperclip, clean the nozzles in the upper rinse piping. The rinse piping is not removable.



9. Wipe the exterior of the glasswasher clean using a soft cloth and mild detergent.
10. Leave the glasswasher door open overnight to allow the inside to dry.

De-liming

Minerals accumulate on the interior surfaces of the glasswasher. The removal of lime deposits is called de-liming and the glasswasher should be de-limed regularly. Inspect the machine interior for lime deposits. If de-liming is required, a de-liming agent should be used in accordance with the chemical supplier's instructions.

DANGER:

Death or serious injury may result when de-liming solution is mixed with sodium hypochlorite sanitizing agent. Mixing may cause hazardous gases to form. De-liming solution and other acids must never be mixed with chlorine, iodine, bromine, or fluorine.

CAUTION:

Skin contact with de-liming solutions can cause severe irritation and possible chemical burns. Always wear eye protection, rubber gloves and protective clothing when handling chemicals.

Follow the steps below to de-lime the glasswasher. Close the door.

1. Open the glasswasher door and remove any dish racks.
2. Turn the power switch on the glasswasher to the ON position.
3. Remove the detergent, sanitizer and rinse-aid chemical supply tubing from their chemical supply containers.
4. Place the tubing in a container of hot water.
5. Press and hold the prime switch UP in the DET position for 2 minutes to flush the detergent from the supply tubing. Release the switch.
6. Press and hold the prime switch DOWN in the SAN position for 4 minutes to flush the sanitizer from the supply tubing. Release the switch.
7. Press and hold the prime switch UP in the R/A position for 4 minutes to flush the rinse-aid from the supply tubing. Release the switch.
8. Turn the glasswasher power switch to OFF/DRAIN to drain the wash tank. The green in-cycle light will go out when complete. Turn the power switch to ON to refill the machine. Repeat 3 more times to completely flush any chemicals from the machine.
9. Open the door and carefully add the de-liming chemical to the wash tank in accordance with the chemical supplier's instructions. Be careful to avoid splashing.
10. Close the door and press the START button to begin a wash cycle.
11. The green in-cycle light will illuminate and the machine will complete an automatic cycle.
12. Turn the glasswasher power switch to OFF/DRAIN to drain the wash tank. The green in-cycle light will go out when complete (90 seconds). Turn the power switch to ON to refill the machine.
13. Run 3 more empty wash cycles to completely flush any chemicals from the machine.
14. Check the de-liming results and if scale is still present repeat steps 8-13.
15. Return chemical supply tubing to their containers and prime the chemical lines.
16. Return the glasswasher to normal operation.

Maintenance Schedule

Follow the maintenance schedules below to keep the glasswasher operating most efficiently.

Daily Maintenance

1. Make sure that the water supply is on and that the drain is not clogged.
2. Check the temperature gauge and ensure it is operating.
3. Make sure that dish racks are in good condition.
4. Check the chemical containers and refill as required.
5. Follow the cleaning procedures given above.

Weekly Maintenance

1. Perform Steps 1-5 in the Daily Maintenance.
2. Inspect water lines for leaks.
3. Check for water leaks underneath the glasswasher.
4. Make sure the flexible water fill and drain hoses are not kinked.
5. Make sure that the glasswasher is level.
6. Clean accumulated lime deposits from the wash tank heating element.
7. Inspect the scrap screen and replace it if damaged.
8. Check the spray arm and replace or repair if damaged.

Monthly Maintenance

1. Perform the Daily and Weekly Maintenance listed above.
2. Clean the chemical dispenser pick-up tubing by flushing with hot water.

To clean the pick-up tubing:

1. Remove the pick-up tubes from their containers.
2. Place each tube in a separate container of hot water.
3. Press and hold the PRIME button up in the DET position until water flows into the wash tank compartment.
4. Press and hold the PRIME button down in the SAN position for 3 minutes.
5. Press and hold the PRIME button up in the R/A position for 3 minutes.
6. Return the pick-up tubes to their containers.
7. Run 3 empty glasswasher cycles to flush any chemicals from the glasswasher wash compartment.

Troubleshooting

CONDITION	CAUSE	SOLUTION
Glasswasher will not run.	Door not closed. Main power OFF. Glasswasher OFF.	Close door completely. Check breaker on panel. Turn glasswasher ON.
Low or no water.	Main water supply off. Solenoid valve defective. Solenoid strainer clogged. Flow washer defective. Timer board defective.	Open supply valve. Install repair kit or replace. Clean strainer. Replace flow washer. Test/replace timer board.
Chemicals won't feed into glasswasher.	Chemical supply low. Supply tubing damaged. Supply tubing kinked. Pick-up tube clogged or defective. Timer board defective.	Refill chemical container. Replace tubing. Straighten tubing. Clean/replace tube. Test/replace timer board.
Low water pressure pumped from spray arms.	Clogged scrap screen. Clogged spray arms. Clogged pump intake screen.	Clean scrap screen. Clean spray arms. Clean sump and pump intake screen.
Poor wash results.	Water temperature low. Thermostat defective. (See chemicals won't feed above.) (See low or no water above.) Detergent injector defective. Wares incorrectly loaded in dishrack.	Raise incoming watertemperature. Adjust/replace thermostat. (See chemicals won't feedabove.) (See low or no water above.) Replace squeeze tube. Replace injector motor. Clean pick-up tubing, hoses and strainer. Reposition wares/reduce amount of wares.

**This Page
Intentionally
Left Blank**

SERVICE REPLACEMENT PARTS

Wash Pump/Motor Assembly 24

Electrical Panel and Timer Board Assembly 26

Control Panel Assembly 28

Wash, Rinse and Drain Assemblies 30

Wash Tank, Heater and Scrap Screen 32

Drain Manifold and Fill Solenoid Valve Assembly 34

Fill Chute and Rear Piping Assembly 36

Panel Assembly 38

Door Assembly 40

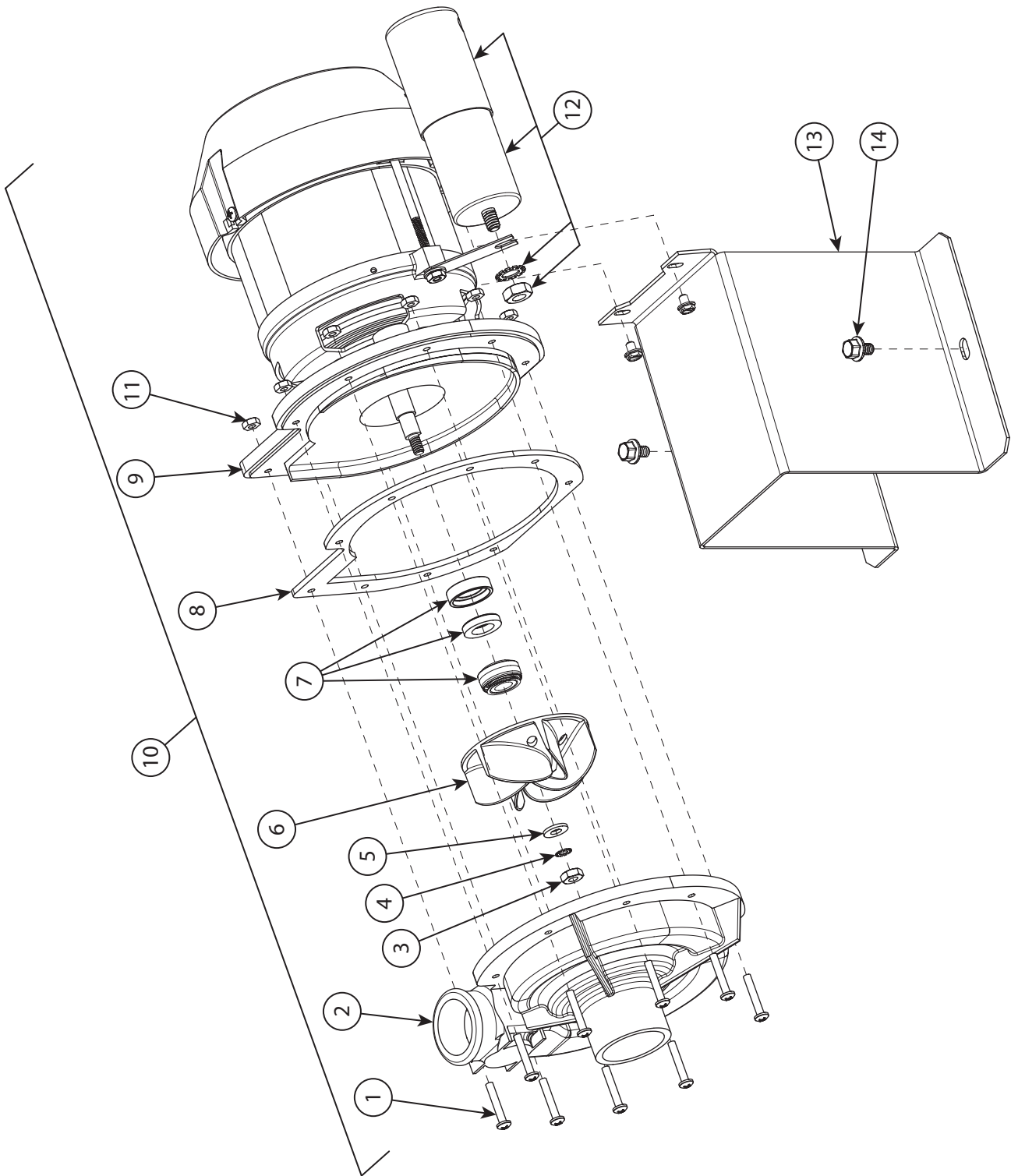
Chemical Dispensing Pumps 42

Dish Racks 44

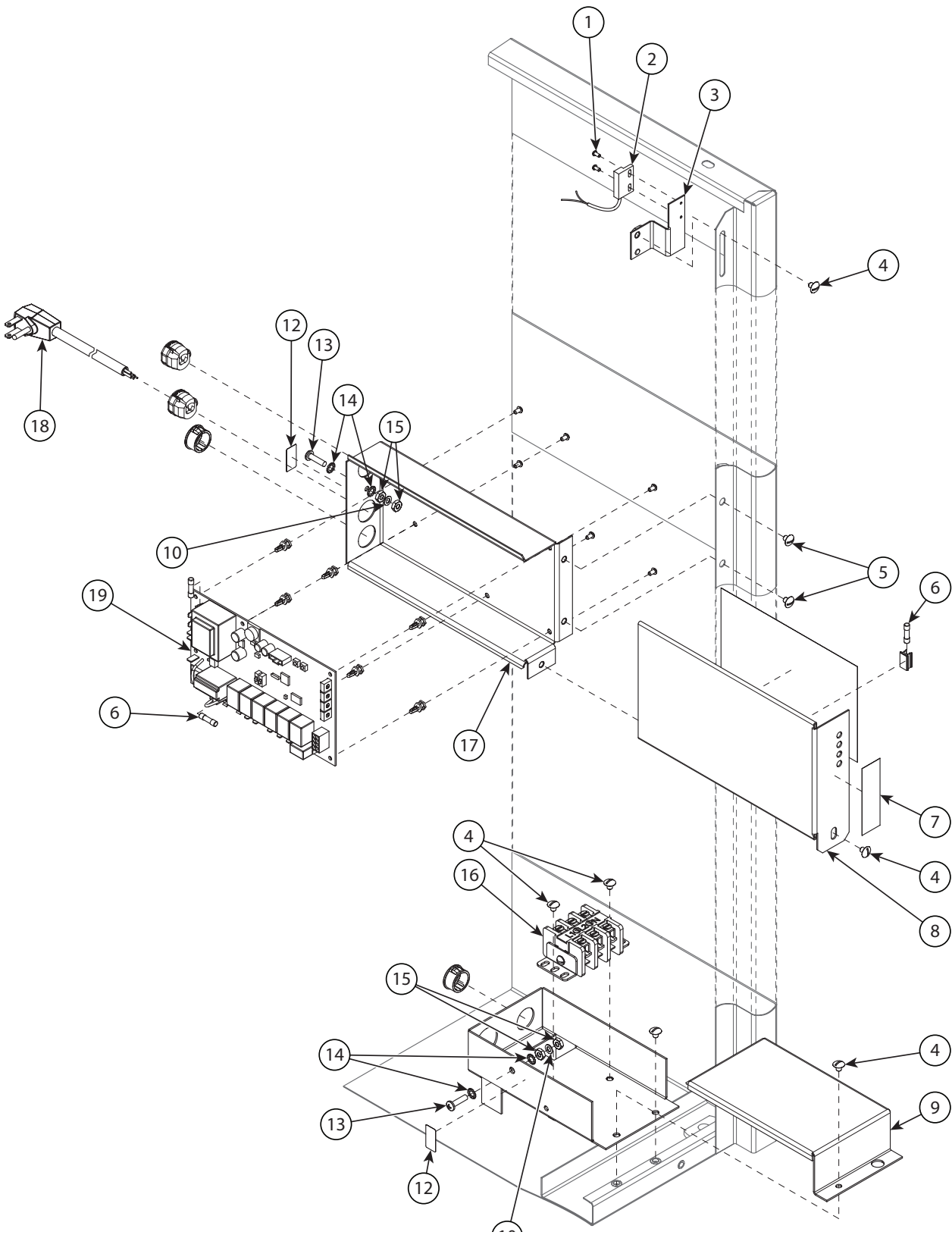
Electrical Schematic 46

Timer Chart 47

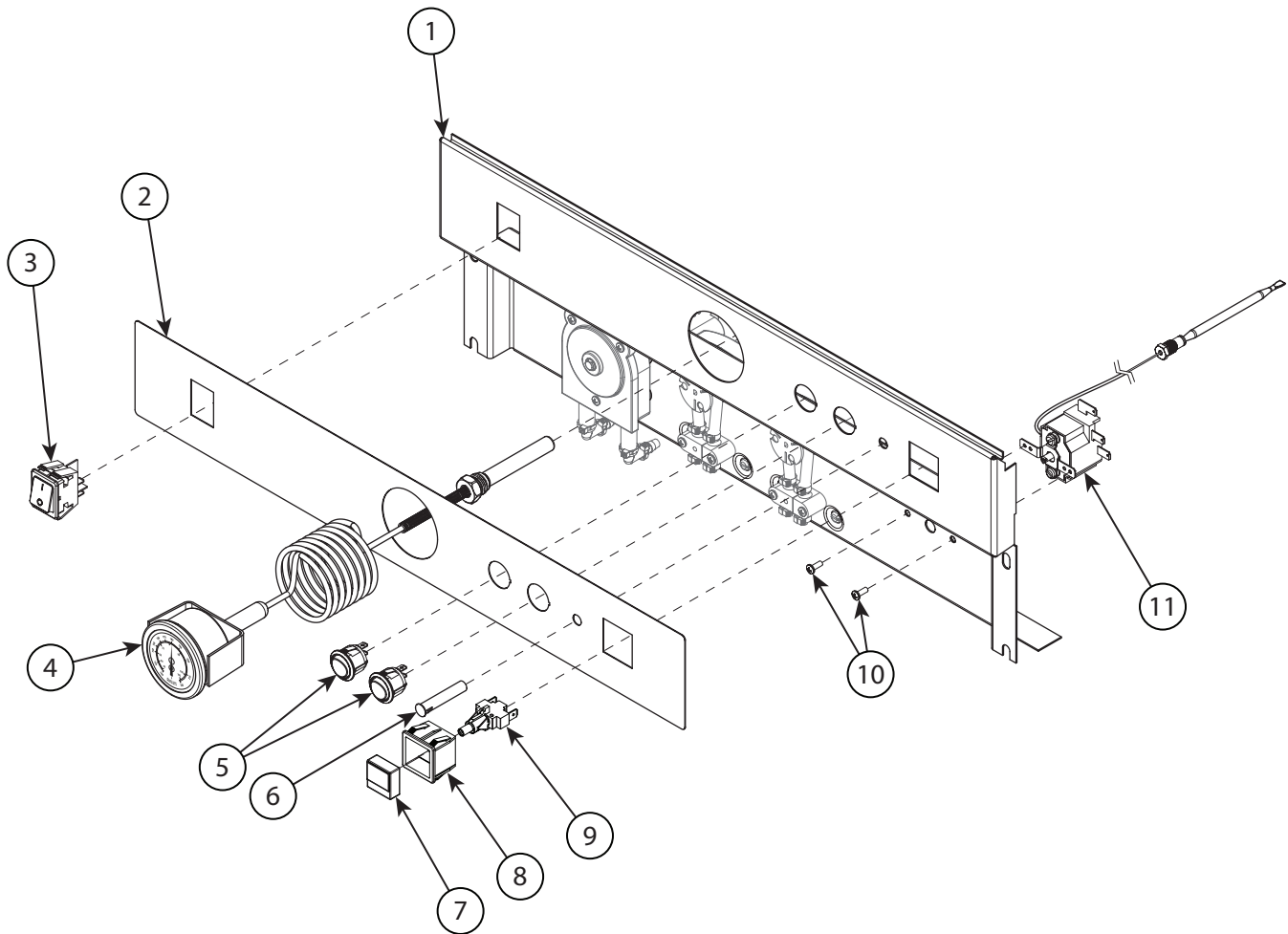




Item No.	Part No.	Description	Qty.
1	GW-1000	SCREW, M4, PHIL.PAN HD.	9
2	GW-1001	IMPELLER, HOUSING COVER	1
3	GW-1002	NUT, M6 (LEFT-HAND THREADS)	1
4	GW-1003	WASHER, LOCK 1/4"	1
5	GW-1004	WASHER, PLAIN 17/64"	1
6	GW-1005	IMPELLER	1
7	GW-1006	SEAL, PUMP	1
8	GW-1007	GASKET, PUMP	1
9	GW-1008	PLATE, PUMP BACKING	1
10	GW-1009	MOTOR, PUMP ASSEMBLY COMPLETE 115V/60/1	1
11	GW-1010	NUT, M4	9
12	GW-1011	CAPACITOR, 40 μ F	1
13	GW-1012	BRACKET, PUMP	1
14	GW-1013	BOLT, HEX FLANGE, 1/4-20 X 3/8" SST	2

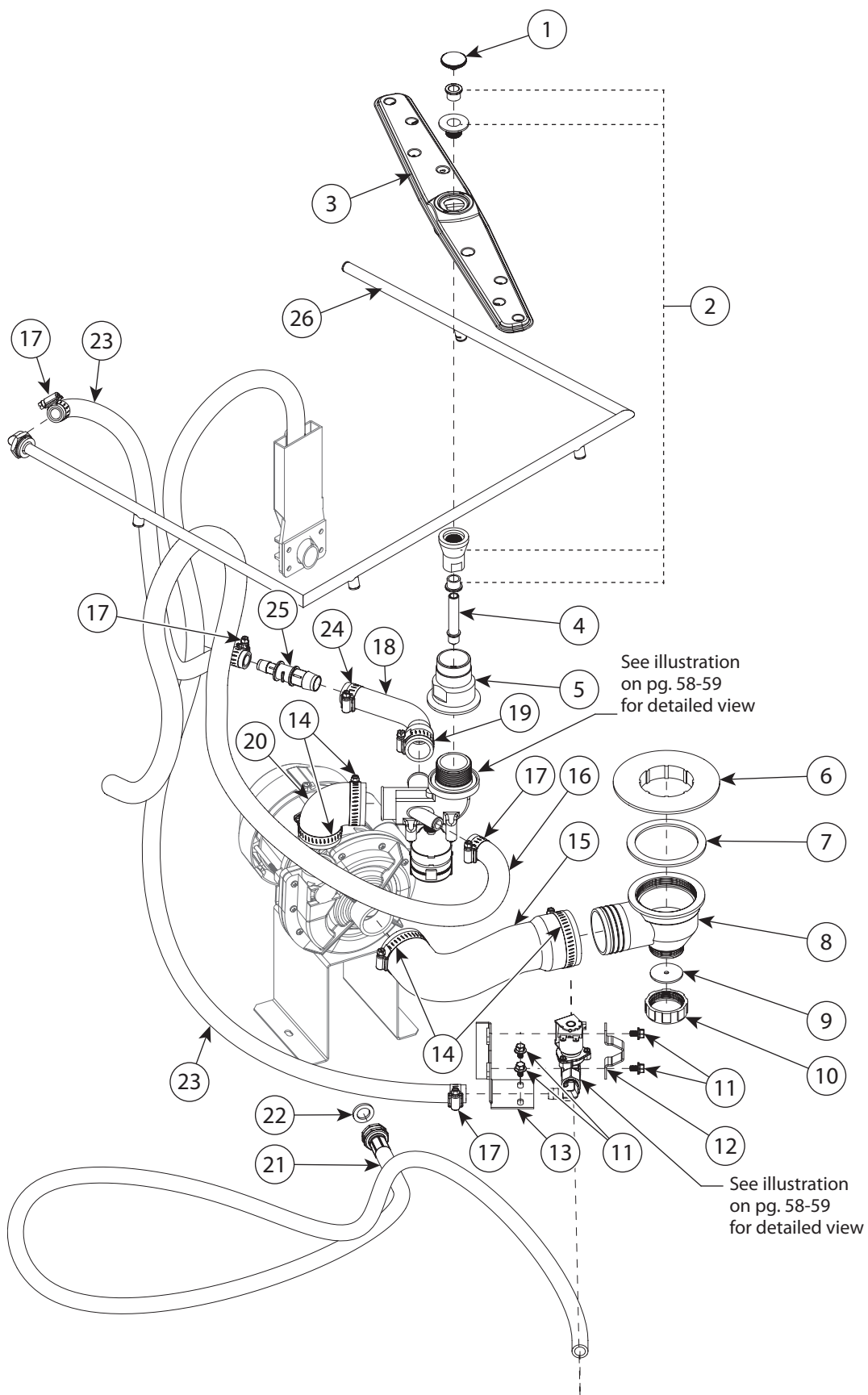


Item No.	Part No.	Description	Qty.
1	GW-1100	SCREW, 4-40 X 3/4" ROUND HEAD SST	2
2	GW-1101	SWITCH, MAGNETIC REED	1
3	GW-1102	BRACKET, SWITCH ADJUSTMENT	1
4	GW-1103	SCREW, 10-32 X 3/8" TRUSS HEAD	3
5	GW-1104	SCREW, 1/4-20 X 3/8" TRUSS HEAD SST	2
6	GW-1105	FUSE, 4A, 250VAC	2
7	GW-1106	LABEL, ADJUSTMENT	1
8	GW-1107	COVER, TIMER ENCLOSURE	1
9	GW-1108	COVER, ENCLOSURE, ELEC. CONN.	1
10	GW-1109	WASHER, FLAT 1/8" X 1/2" BRASS	2
12	GW-1110	LABEL, GROUND (EARTH)	2
13	GW-1111	SCREW, RH 10-32 X 3/4" SLOTTED BRASS	2
14	GW-1112	WASHER, LOCK #10 EXT. TOOTH BRASS	4
15	GW-1113	NUT, 10-32 BRASS	4
16	GW-1114	BLOCK, TERMINAL 4-POLE	1
17	GW-1115	BASE, TIMER ENCLOSURE	1
18	GW-1116	CORD AND PLUG	1
19	GW-1117	TIMER CKT. BOARD, SOLID STATE	1

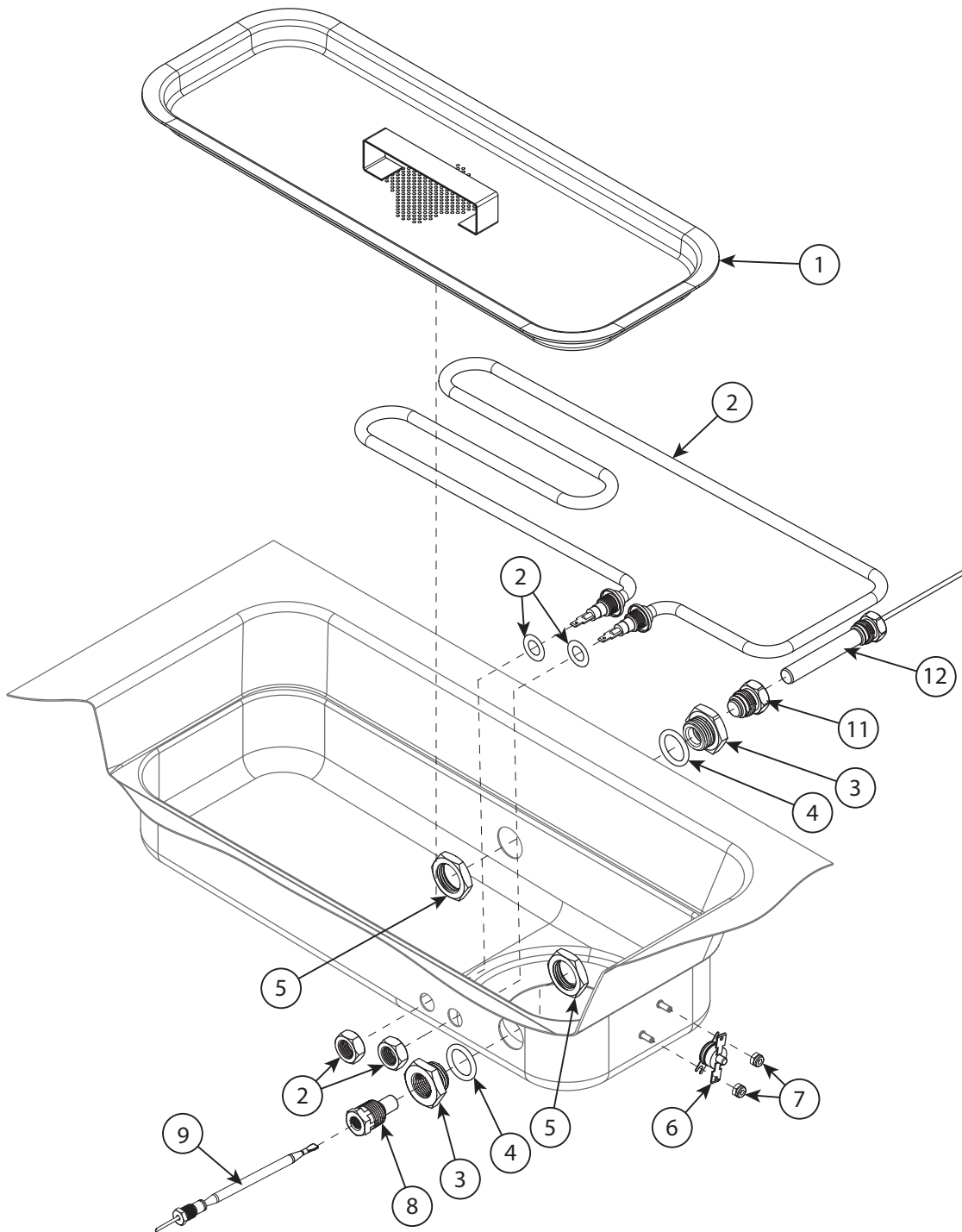


Item No.	Part No.	Description	Qty.
1	GW-1200	PANEL, FACIA LOWER	1
2	GW-1201	LABEL, FACIA	1
3	GW-1202	SWITCH, ROCKER, DPST 125V NEON	1
4	GW-1203	THERMOMETER, 2" DIAL	1
5	GW-1204	SWITCH, ROCKER RND SPDT MOMENTARY	2
6	GW-1205	LIGHT, INDICATOR, GREEN LED 2VDC	1
7	GW-1206	BUTTON, SWITCH GREEN	1
8	GW-1207	HOUSING, SWITCH	1
9	GW-1208	CONTACT, MOMENTARY, N.O.	1
10	GW-1209	SCREW, NIBS RH 6-32 X 3/16" PHIL. SST	2
11	GW-1210	THERMOSTAT, WASH TANK	1



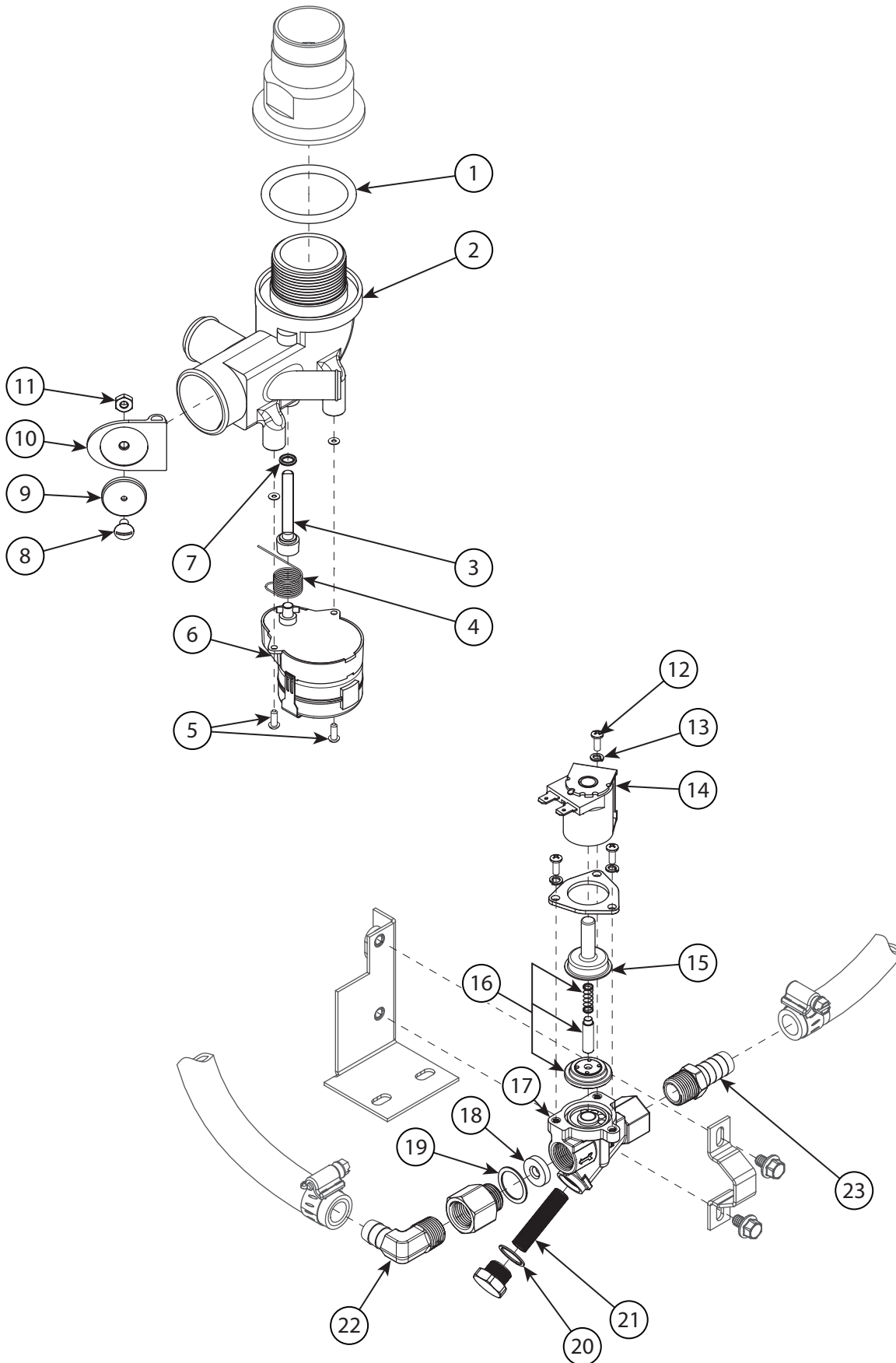


Item No.	Part No.	Description	Qty.
1	GW-1300	NUT, WASHARM	1
2	GW-1301	BEARING ASSEMBLY, WASHARM	1
3	GW-1302	WASHARM ASSEMBLY (INCLUDES ITEM 2)	1
4	GW-1303	SHAFT, LOWER F&D	1
5	GW-1304	HUB, LOWER WASH ARM	1
6	GW-1305	FLANGE, PUMP SUCTION	1
7	GW-1306	GASKET, PUMP SUCTION	1
8	GW-1307	ELBOW, PUMP SUCTION	1
9	GW-1308	GASKET, ELBOW	1
10	GW-1309	CAP, 1-1/4" PLASTIC	1
11	GW-1013	BOLT, HEX FLANGE, 1/4-20 X 3/8" SST	4
12	GW-1311	CLAMP, VALVE	1
13	GW-1312	BRACKET, VALVE	1
14	GW-1313	CLAMP, HOSE 1-1/2" GEAR-TYPE SST	4
15	GW-1314	HOSE, PUMP SUCTION	1
16	GW-1315	HOSE, 5/8" ID X 1" OD BRAIDED	A/R
17	GW-1316	CLAMP, GEAR, MIN. 5/16" MAX. 7/8" SST	5
18	GW-1317	HOSE	1
19	GW-1318	CLAMP, HOSE 1-13/16" - 2-3/4" MAX. SST	1
20	GW-1319	HOSE, PUMP DISCHARGE	1
21	GW-1320	HOSE, 1/2" X 7 FT. W/FEM. GARDEN ADAPTER	1
22	GW-1321	WASHER, GARDEN HOSE	1
23	GW-1322	HOSE, RUBBER 1/2" ID X .84" OD	A/R
24	GW-1323	CLAMP, HOSE GEAR-TYPE SST	1
25	GW-1324	COUPLER, 3/4" MPT X 3/4" HOSE BARB, POLYPRO	1
26	GW-1325	MANIFOLD, UPPER WASH	1

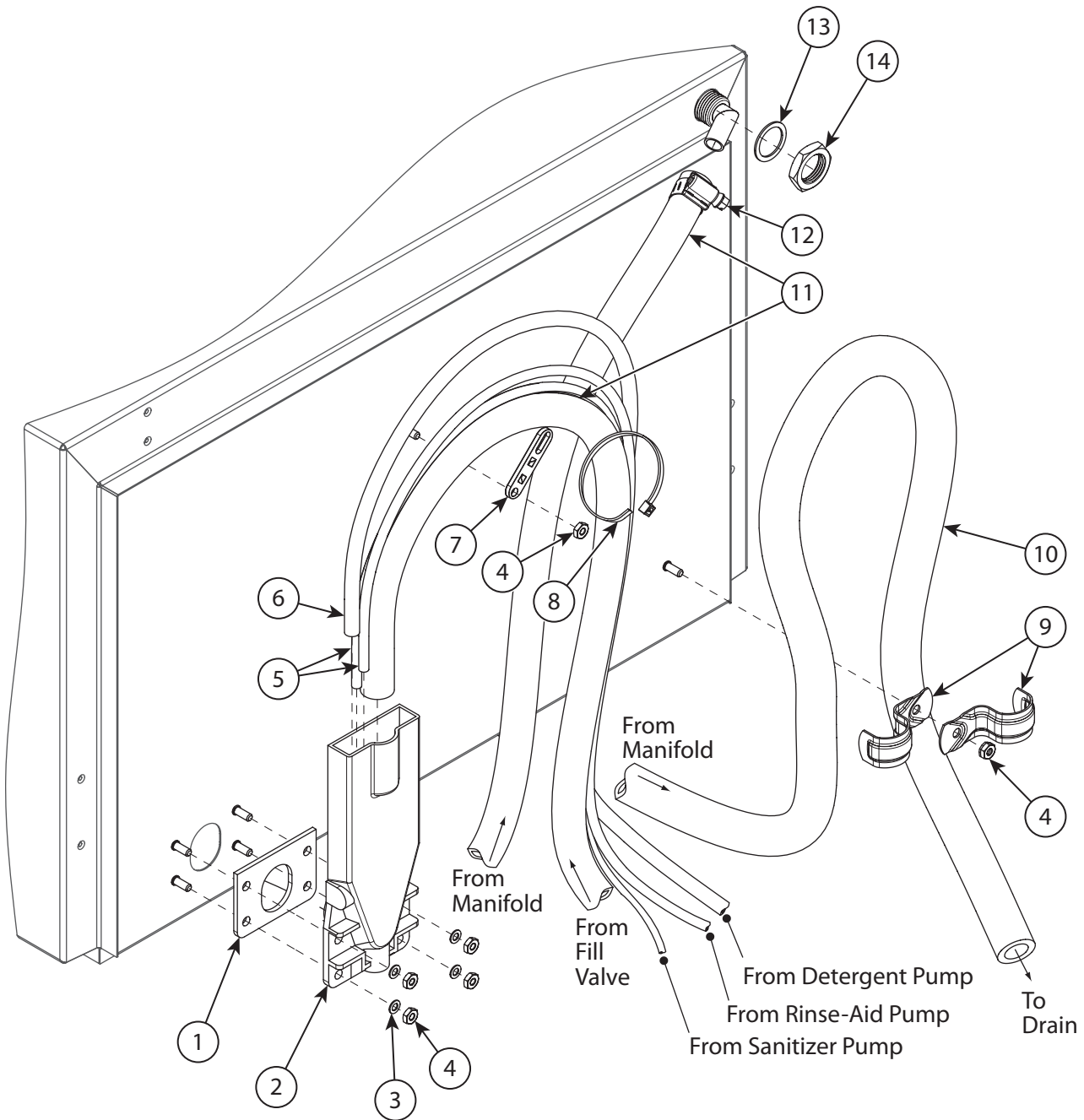


Item No.	Part No.	Description	Qty.
1	GW-1400	SCREEN, SCRAP	1
2	GW-1401	HEATER, 120VAC, 750W, C/W NUT-GASKET	1
3	GW-1402	ADAPTER, THERMOMETER	2
4	GW-1403	O-RING	2
5	GW-1404	NUT, LOCK 1/2" NICKLE-PLATED	2
6	GW-1405	THERMOSTAT, FIXED HIGH LIMIT 212°F	1
7	GW-1406	NUT, GRIP 6-32 W/NYLON INSERT SST	2
8	GW-1407	BUSHING, THERMOSTAT (USE WITH ITEM 9)	1
9	GW-1210	THERMOSTAT, WASH TANK	1
11	GW-1409	ADAPTER	1
12	GW-1203	THERMOMETER, 2" DIAL C/W 7 FT. CAPILLARY	1

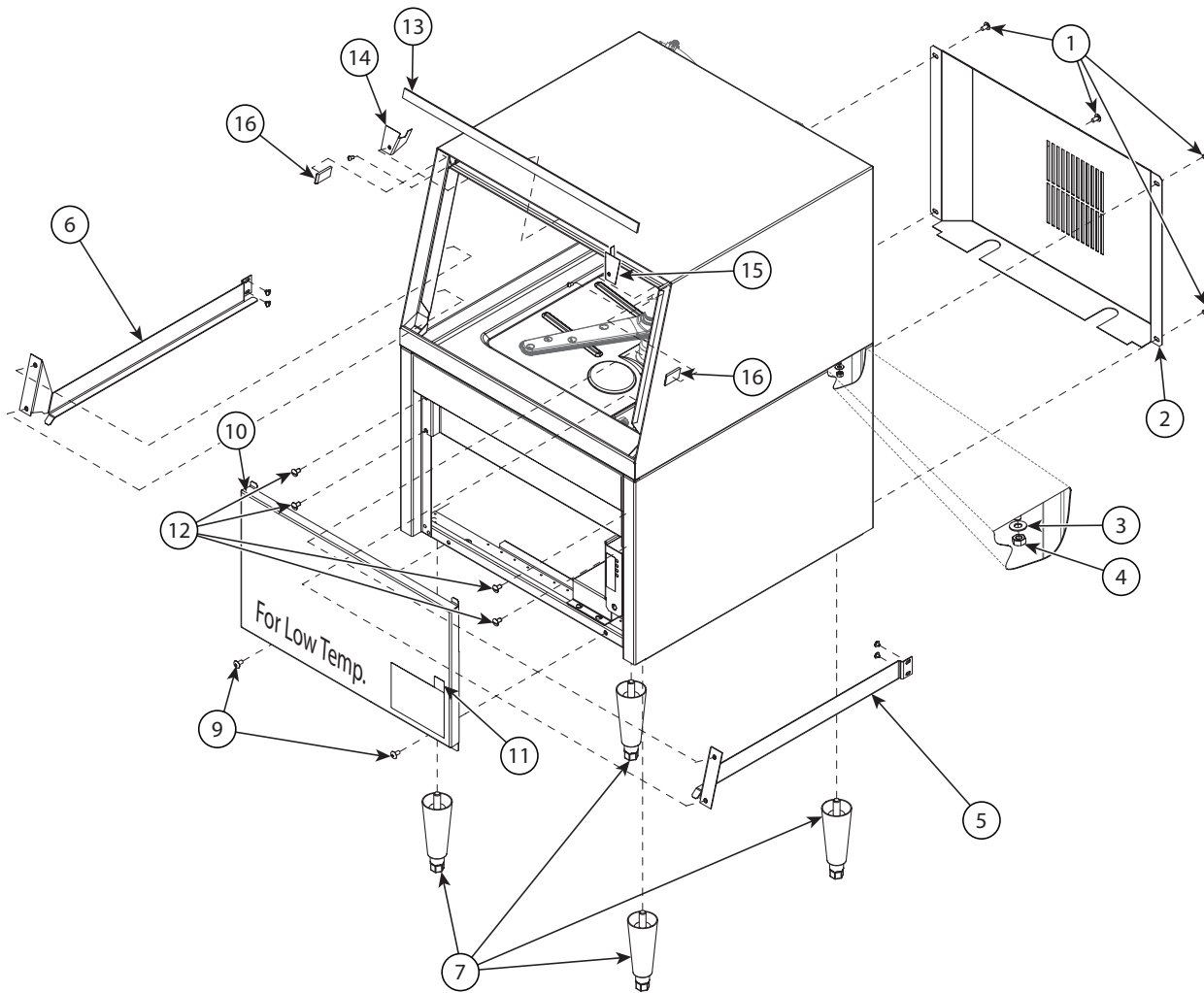




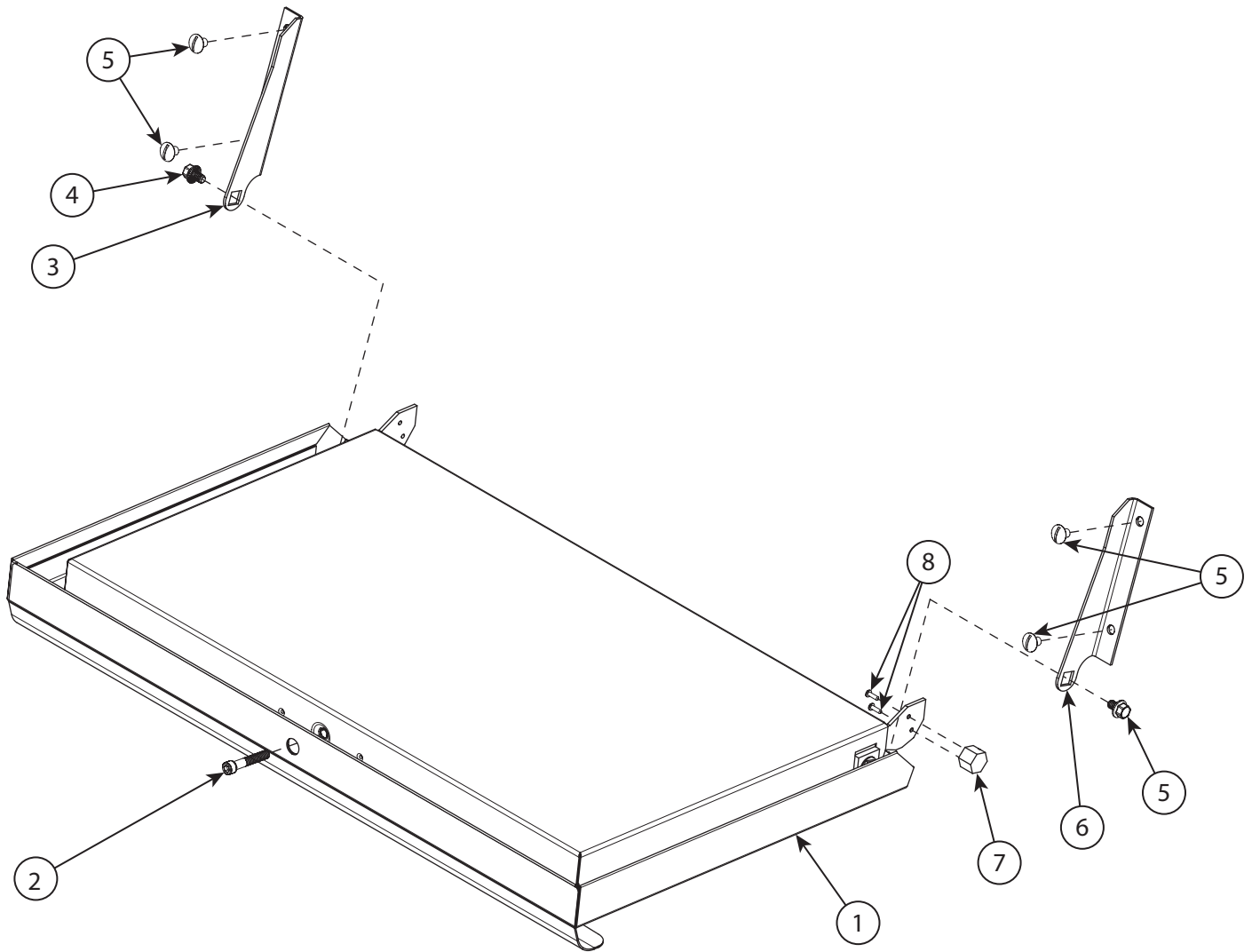
Item No.	Part No.	Description	Qty.
1	GW-1500	O-RING, 2-1/8" OD X 1-3/4" ID X 3/16" SILICON	1
2	GW-1501	MANIFOLD, DRAIN ASSY. FWR <i>(Includes Items 2-11)</i>	1
3	GW-1502	SHAFT, DRAIN FLAP	1
4	GW-1503	SPRING, TORSION	1
5	GW-1504	SCREW, 6-32 X 3/8" RD. HD. SLOTTED SST	2
6	GW-1505	MOTOR, DRAIN 115V C/W PIN	1
7	GW-1506	O-RING, DRAIN SHAFT	1
8	GW-1507	SCREW, TRUSS SLOT 10-32 X 3/8" SST	2
9	GW-1508	GASKET, DRAIN	1
10	GW-1509	FLAP, DRAIN	1
11	GW-1510	NUT, GRIP 10-32 SST	1
12	GW-1511	SCREW, 8-32 X 1/2", SLOT, RH SST	3
13	GW-1512	WASHER, SPLIT, LOCK #8	3
14	GW-1513	COIL, 115V/60/1, 10W	1
15	GW-1514	GUIDE	1
16	GW-1515	KIT, REBUILD VALVE	A/R
17	GW-1516	VALVE, WATER INLET 115VAC/60/1 <i>(Includes Items 12-21)</i>	1
18	GW-1517	WASHER, FLOW, 5.0 GPM	1
19	GW-1518	GASKET	1
20	GW-1519	WASHER, SEAL	1
21	GW-1520	STRAINER SCREEN, SOLENOID VALVE	1
22	GW-1521	ELBOW, 90°, 3/8 MPT X 1/2" HOSE	1
23	GW-1522	HOSE BARB, 1/2" X 3/8" MPT	1



Item No.	Part No.	Description	Qty.
1	GW-1600	GASKET, INLET CHUTE	1
2	GW-1601	CHUTE, INLET	1
3	GW-1602	WASHER, FLAT #10 SST	4
4	GW-1603	NUT, HEX 10-32 SST	6
5	GW-1604	HOSE, 1/8" ID X 1/4" OD (RINSE AID & SANITIZER)	A/R
6	GW-1605	HOSE, 1/4" ID X 3/8" OD (DETERGENT)	A/R
7	GW-1606	TIE PLATE TP-2	1
8	GW-1607	TIE, NYLON 4"	1
9	GW-1608	CLAMP, 1" PLATED CABLE STRAP	2
10	GW-1315	HOSE, 5/8" ID X 1" OD PVC BRAIDED	A/R
11	GW-1322	HOSE, RUBBER 1/2" ID X .84" OD	A/R
12	GW-1316	CLAMP, GEAR MIN. 5/16" MAX. 7/8" SST	1
13	GW-1612	O-RING	1
14	GW-1613	LOCKNUT, 1/2" NPT	1

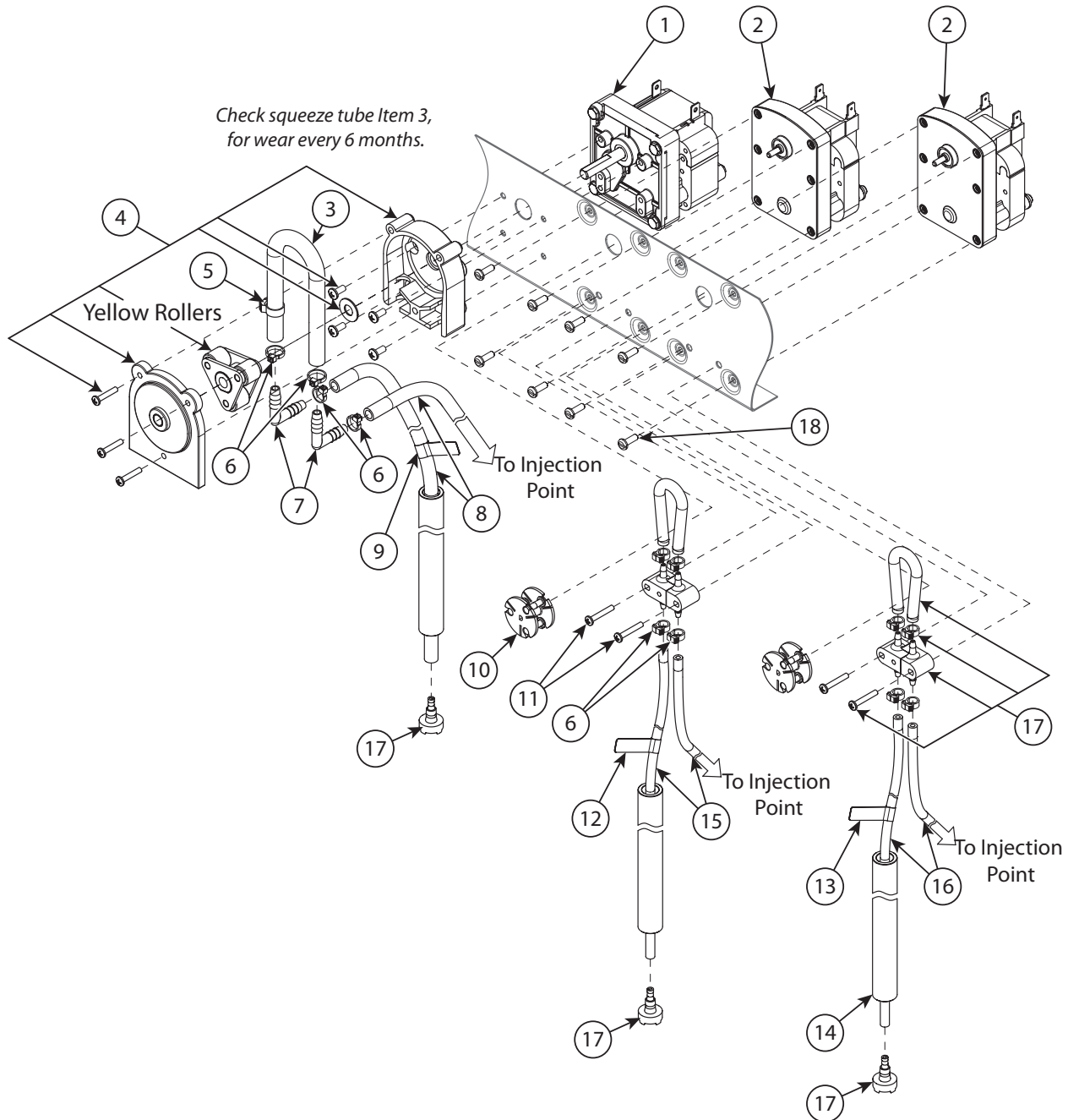


Item No.	Part No.	Description	Qty.
1	GW-1500	SCREW, 10-32 X 3/8" TRUSS SLOTTED, SST	4
2	GW-1701	PANEL, REAR LOWER	1
3	GW-1003	WASHER, SPLIT LOCK 1/4" SST	4
4	GW-1703	NUT, HEX 1/4-20 SST	4
5	GW-1704	RAIL, TRAY RH	1
6	GW-1705	RAIL, TRAY LH	1
7	GW-1706	LEG, NP W/SST HEX FOOT	4
9	GW-1707	SCREW, 1/4-20 X 5/8" TRUSS PHIL. SST	2
10	GW-1708	PANEL, LOWER FRONT	1
11	GW-1709	LABEL, ENERGY STAR 1"	1
12	GW-1104	SCREW, 1/4-20 X 3/8" TRUSS HEAD SST	2
13	GW-1711	GASKET, DOOR 1/8" X 5/8" X 21.5" LG.	1
14	GW-1712	BRACKET, RETAINING LS, UPPER WASHARM	1
15	GW-1713	BRACKET, RETAINING RS, UPPER WASHARM	1
16	GW-1318	GASKET, STEAM BLOCK	2

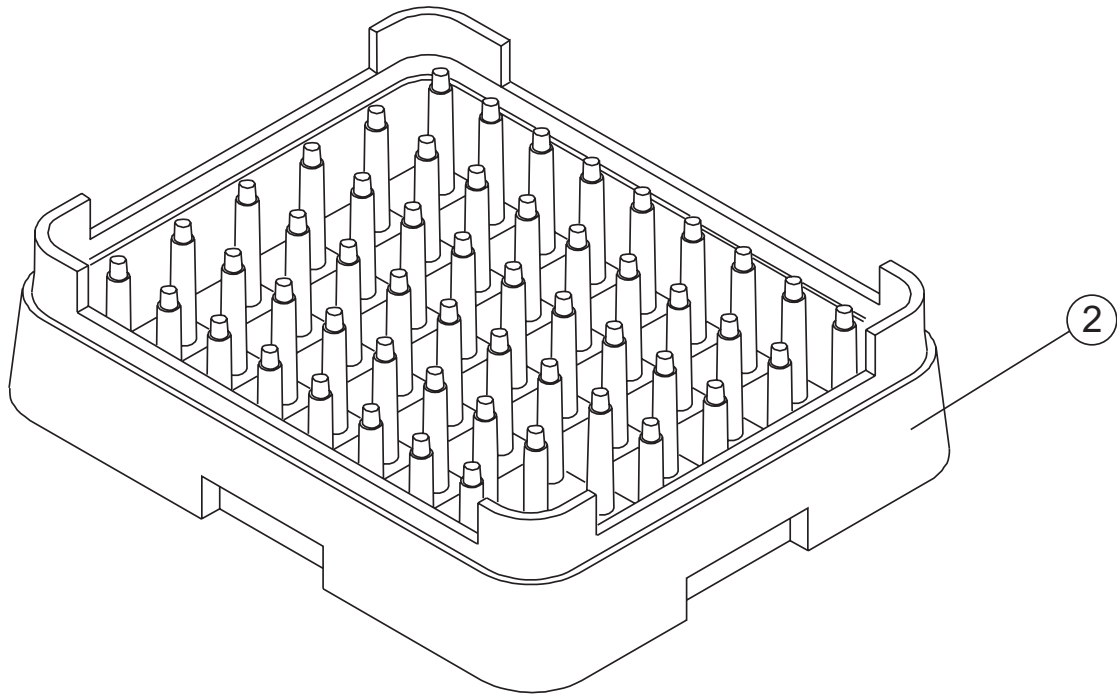
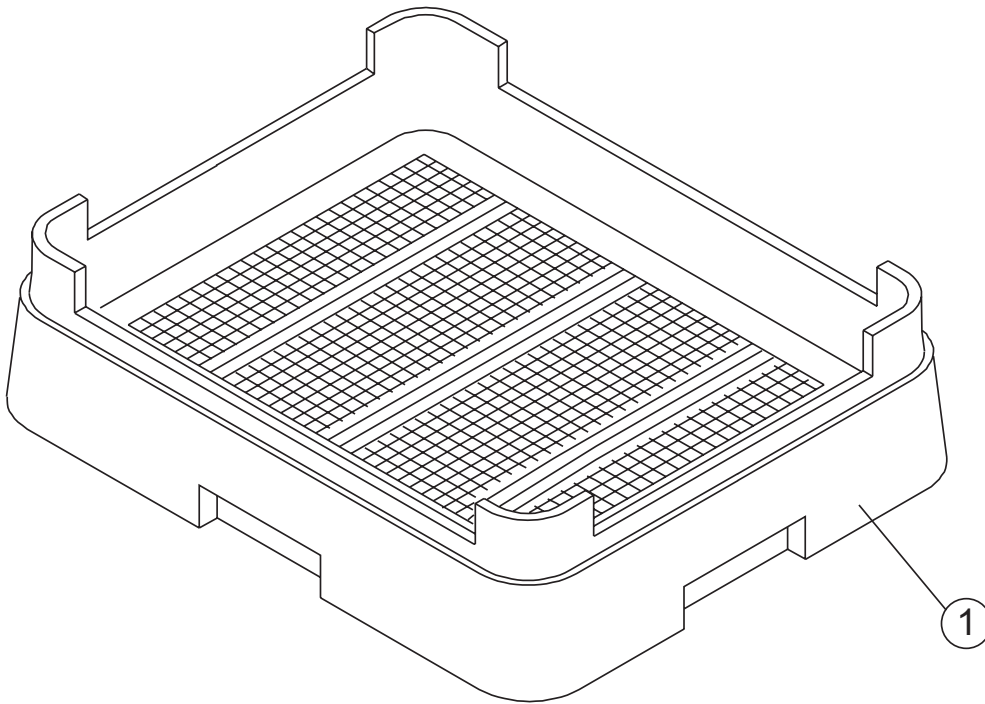


Item No.	Part No.	Description	Qty.
1	GW-1800	DOOR, WELDED ASSY.	1
2	GW-1801	NUT, COUPLING 1/4-20 X 7/8" sst	1
3	GW-1802	BRACKET, HINGE TANK LS	1
4	GW-1013	BOLT, HEX HEAD FLANGE, 1/4-20 X 3/8" SST	2
5	GW-1104	SCREW, 1/4-20 X 3/8" TRUSS HEAD SST	4
6	GW-1805	BRACKET, HINGE TANK RS	1
7	GW-1806	HOLDER, MAGNET	1
8	GW-1807	SCREW, 4-40 X 1/4" ROUND HEAD SST	2



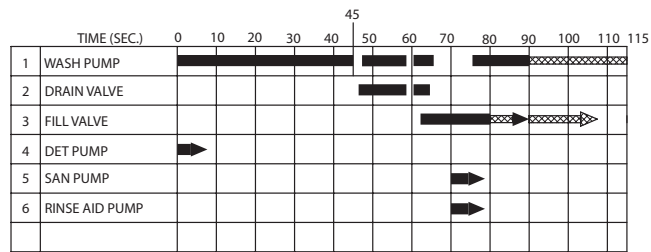


Item No.	Part No.	Description	Qty.
1	GW-1900	GEARMOTOR, DETERGENT 115V/60/1	1
2	GW-1901	MOTOR, INJECTOR PUMP 115V/60/1	2
3	GW-1902	TUBE, PUMP 3/16" ID X 3/8" OD X 8-1/4" LG.	1
4	GW-1903	PUMP HEAD KIT, DETERGENT (YELLOW ROLLERS)	1
5	GW-1904	CLAMP, HOSE	1
6	GW-1608	TIE, CABLE 4"	8
7	GW-1906	ELBOW, 1/4" HOSE BARB	2
8	GW-1605	HOSE, 1/4" ID X 3/8" OD PVC	A/R
9	GW-1908	LABEL, DETERGENT	1
10	GW-1909	ROTOR, ASSEMBLY	2
11	GW-1910	SCREW, 6-32 X 7/8" PAN HD. PHIL SST	4
12	GW-1911	LABEL, RINSE-AID	1
13	GW-1912	LABEL, SANITIZER	1
14	GW-1913	TUBE, 1/2" ID X 11-7/8" LG. STIFFENER	2
15	GW-1914	TUBING, 1/8" OD X 1/16" ID (RINSE-AID)	A/R
16	GW-1604	HOSE, 1/8" ID X 1/4" OD PVC	A/R
17	GW-1916	TUBE, ELEMENT ASSY. 45CC	2
18	GW-1917	SCREW, 8-32 X 1/2" PAN HD. PHIL. SST	8



Item No.	Part No.	Description	Qty.
1	GW-2000	RACK, SILVERWARE FLAT-BOTTOM	1
2	GW-2001	RACK, PLATE & TRAY, PEG	1





TIMING CHART FOR FILL AND DUMP DENOTES ADJUSTABLE TIME

Timer Bd. Potentiometers

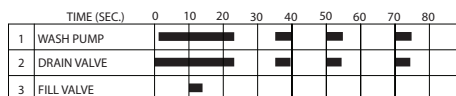
	MINIMUM	MAXIMUM
1 FILL VALVE	20 SEC.	55 SEC.
2 DET. PUMP	0 SEC.	12 SEC.
3 SAN. PUMP	0 SEC.	20 SEC.
4 RINSE AID PUMP	0 SEC.	10 SEC.

ARROW INDICATES THAT FUNCTION END TIME IS VARIABLE WITH THE ADJUSTMENT POTENTIOMETER

TOLERANCE	HOLE DIMENSIONS		ISSUED
DECIMAL	A	F	
ANGLE	B	G	DR ^{NGC} -
SCALE 1:2	C	H	CH.
<small>TOLERANCE DIMENSIONS ARE FROM DRAWING TO DIMENSION UNLESS OTHERWISE NOTED</small>	D	J	RTG.
	E		

WASH CYCLE
TIMING CHARTS

Drain Cycle Timing Chart



TIMING CHART FOR FILL AND DUMP DRAIN CYCLE
ACTIVATED 4 SEC. AFTER "POWER" SWITCH IS TURNED OFF

TOLERANCE	HOLE DIMENSIONS		ISSUED
DECIMAL	A	F	
ANGLE	B	G	DR ^{NGC} -
SCALE 1:2	C	H	CH.
<small>TOLERANCE DIMENSIONS ARE FROM DRAWING TO DIMENSION UNLESS OTHERWISE NOTED</small>	D	J	RTG.
	E		

DRAIN CYCLE
TIMING CHARTS

