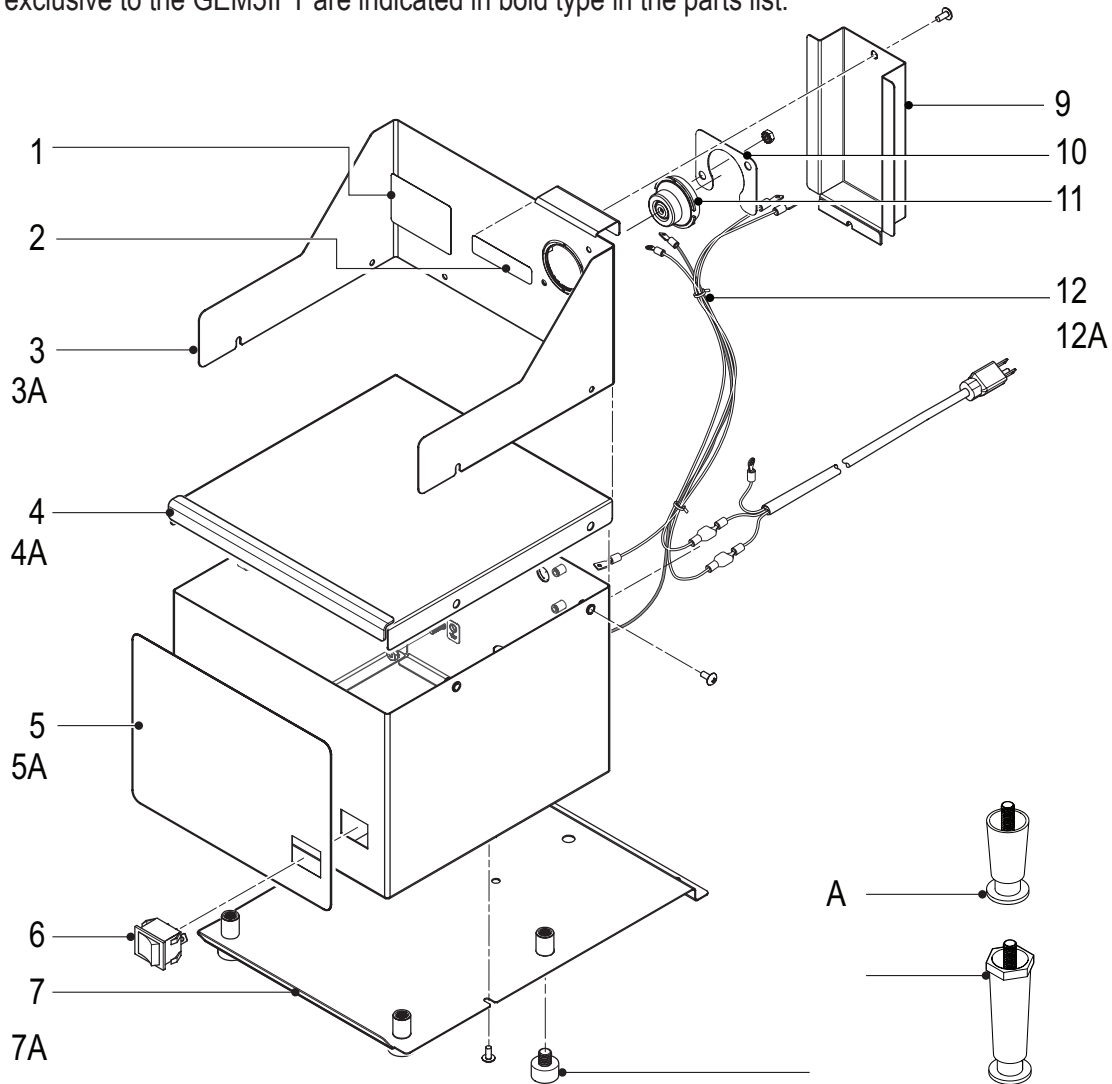




Parts List and Electrical Schematics GEM5IF & GEM5IFT

The GEM5IFS (single warmer stand) and the GEM5IFT (twin warmer stand) use some common parts. Items that are exclusive to the GEM5IFT are indicated in bold type in the parts list.



| INDEX № | PART № | DESCRIPTION |
|---------|-----------|-----------------------------|
| 1 | WC-38535 | LABEL, SLIDE CONTAINER |
| 2 | WC-38504 | LABEL, WARNING SHOCK HAZ |
| 3 | WC-61317 | RETAINER, GEM5IFS |
| 3A | WC-61383 | RETAINER, GEM5IFT |
| 4 | WC-61315K | COVER, TOP GEM-5IS |
| 4A | WC-61382K | COVER, TOP GEM5IFT |
| 5 | WC-39750 | LABEL, FRONT GEM5IFS |
| 5A | WC-39810 | LABEL, FRONT GEM5IFT |
| 6 | WC-114R | SWITCH, ROCKER (RED) SPST |
| 7 | WC-61326 | COVER, BOTTOM ASSY GEM5IFS |

| INDEX № | PART № | DESCRIPTION |
|---------|-----------|-----------------------------------|
| 7A | WC-61387 | COVER, BOTTOM ASSY GEM5IFT |
| 8 | WC-3503 | LEG, 3/8"-16 STUD BUMPER |
| 8A | WC-3500 * | LEG, 4" ADJUSTABLE 3/8-16 THRD |
| 8B | WC-3512 * | LEG, 2½" ADJUSTABLE SATIN |
| 9 | WC-61318 | BOX, IF MODULE GEM-5IF |
| 10 | WC-61307 | HOLDER, CONNECTOR FEMALE |
| 11 | WC-13429 | HARNESS ASSY IF CON RT |
| 12 | WC-1386 | HARNESS ASSY, GEM5IFS |
| 12A | WC-13435 | HARNESS ASSY GEM5IFT |

* OPTIONAL

THE INTELLIFRESH SYSTEM

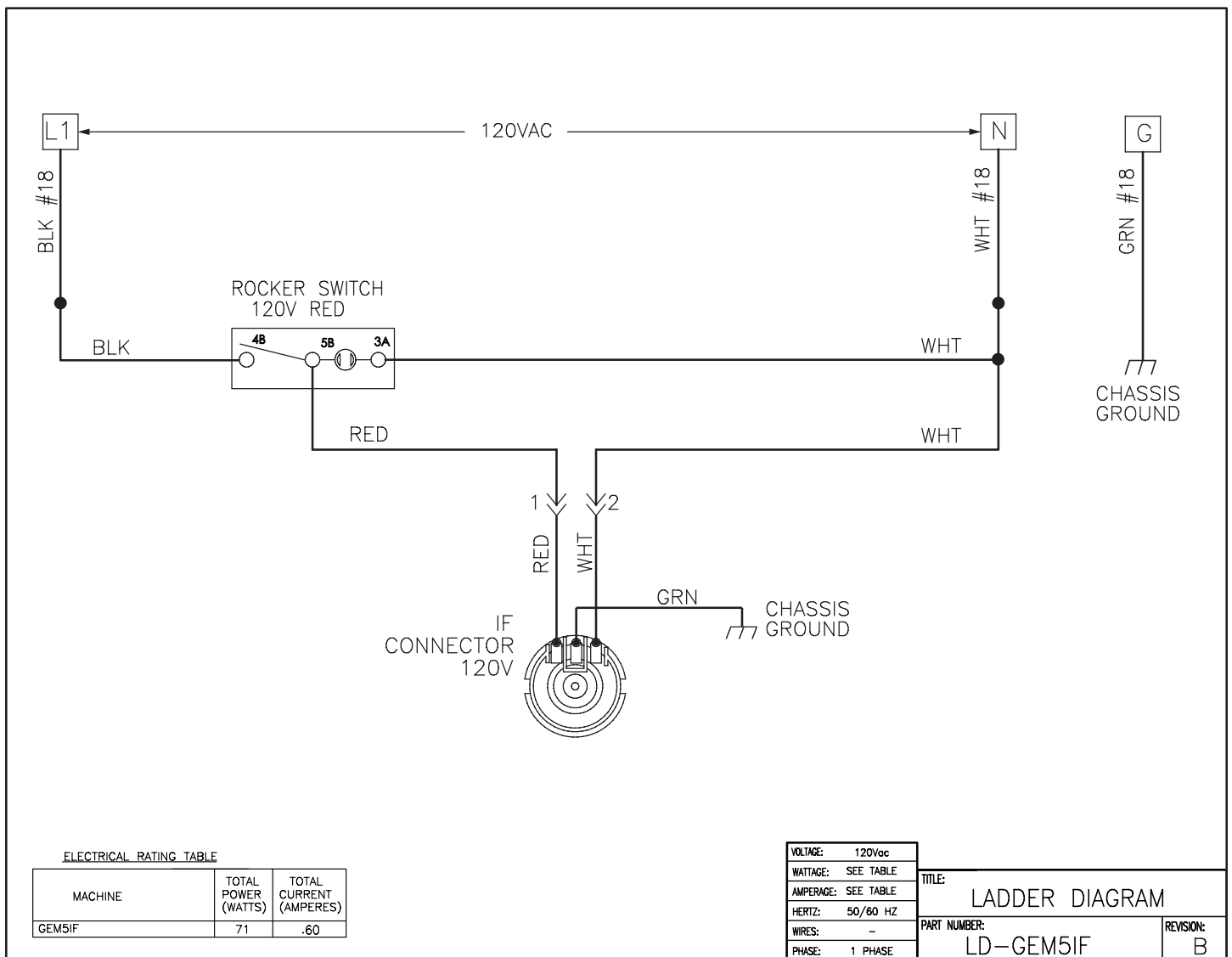
This is a programmable method of storing coffee to maintain temperature and freshness. It will alert you when the coffee has exceeded the desired holding time. Coffee is brewed directly into an Intellifresh GEM3IF Satellite container. The Satellites are linked with the brewer through an electrical connector on the brewer's center panel. The Intellifresh system is activated when a brew cycle is started. A note about the GEM5IF remote stand: The warmer elements within the GEM3IF Satellite can be shut off at the rocker switch. The GEM3IF Satellite is designed to shut off after 10 hours once it is connected to the GEM5IF stand.



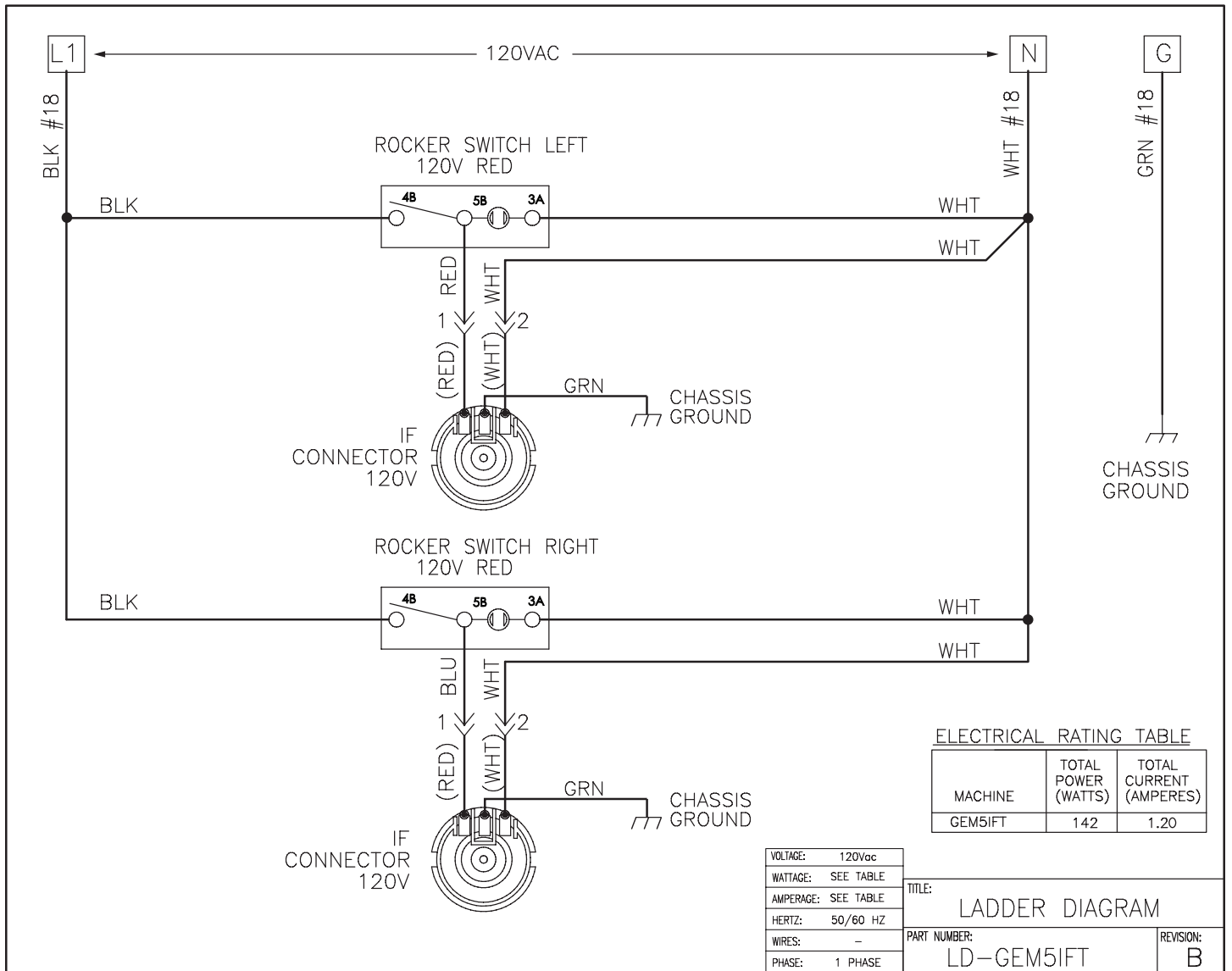
WARNING: HOT SURFACES. As with all electrical equipment, caution must be taken to avoid electrical shock. Be sure the power cord is disconnected before removing components.

Avoid burns. Allow the warmer stand to cool before attempting to service.

ELECTRICAL SCHEMATIC GEM5IFS



ELECTRICAL SCHEMATIC GEM5IFT



Product Warranty Information

The Wilbur Curtis Company certifies that its products are free from defects in material and workmanship under normal use. The following limited warranties and conditions apply:

- 3 Years, Parts and Labor, from Original Date of Purchase on digital control boards.
- 2 Years, Parts, from Original Date of Purchase on all other electrical components, fittings and tubing.
- 1 Year, Labor, from Original Date of Purchase on all electrical components, fittings and tubing.

Additionally, the Wilbur Curtis Company warrants its Grinding Burrs for Forty (40) months from date of purchase or 40,000 pounds of coffee, whichever comes first. Stainless Steel components are warranted for two (2) years from date of purchase against leaking or pitting and replacement parts are warranted for ninety (90) days from date of purchase or for the remainder of the limited warranty period of the equipment in which the component is installed.

All in-warranty service calls must have prior authorization. For Authorization, call the Technical Support Department at 1-800-995-0417. Effective date of this policy is April 1, 2003.

Additional conditions may apply. Go to www.wilburcurtis.com to view the full product warranty information.

CONDITIONS & EXCEPTIONS

The warranty covers original equipment at time of purchase only. The Wilbur Curtis Company, Inc., assumes no responsibility for substitute replacement parts installed on Curtis equipment that have not been purchased from the Wilbur Curtis Company, Inc. The Wilbur Curtis Company will not accept any responsibility if the following conditions are not met. The warranty does not cover and is void under the following circumstances:

- 1) **Improper operation of equipment:** *The equipment must be used for its designed and intended purpose and function.*
- 2) **Improper installation of equipment:** *This equipment must be installed by a professional technician and must comply with all local electrical, mechanical and plumbing codes.*
- 3) **Improper voltage:** *Equipment must be installed at the voltage stated on the serial plate supplied with this equipment.*
- 4) **Improper water supply:** *This includes, but is not limited to, excessive or low water pressure, and inadequate or fluctuating water flow rate.*
- 5) **Adjustments and cleaning:** *The resetting of safety thermostats and circuit breakers, programming and temperature adjustments are the responsibility of the equipment owner. The owner is responsible for proper cleaning and regular maintenance of this equipment.*
- 6) **Damaged in transit:** *Equipment damaged in transit is the responsibility of the freight company and a claim should be made with the carrier.*
- 7) **Abuse or neglect (including failure to periodically clean or remove lime accumulations):** *Manufacturer is not responsible for variation in equipment operation due to excessive lime or local water conditions. The equipment must be maintained according to the manufacturer's recommendations.*
- 8) **Replacement of items subject to normal use and wear:** *This shall include, but is not limited to, light bulbs, shear disks, "O" rings, gaskets, silicone tube, canister assemblies, whipper chambers and plates, mixing bowls, agitation assemblies and whipper propellers.*
- 9) **Repairs and/or Replacements** *are subject to our decision that the workmanship or parts were faulty and the defects showed up under normal use. All labor shall be performed during regular working hours. Overtime charges are the responsibility of the owner. Charges incurred by delays, waiting time, or operating restrictions that hinder the service technician's ability to perform service is the responsibility of the owner of the equipment. This includes institutional and correctional facilities. The Wilbur Curtis Company will allow up to 100 miles, round trip, per in-warranty service call.*

RETURN MERCHANDISE AUTHORIZATION: *All claims under this warranty must be submitted to the Wilbur Curtis Company Technical Support Department prior to performing any repair work or return of this equipment to the factory. All returned equipment must be repackaged properly in the original carton. No units will be accepted if they are damaged in transit due to improper packaging. **NO UNITS OR PARTS WILL BE ACCEPTED WITHOUT A RETURN MERCHANDISE AUTHORIZATION (RMA). RMA NUMBER MUST BE MARKED ON THE CARTON OR SHIPPING LABEL.** All in-warranty service calls must be performed by an authorized service agent. Call the Wilbur Curtis Technical Support Department to find an agent near you.*

7/27/12@13.9.ECN 14285



WILBUR CURTIS CO., INC.

6913 Acco St., Montebello, CA 90640-5403 USA

Phone: 800/421-6150 ♦ Fax: 323-837-2410

♦ Technical Support Phone: 800/995-0417 (M-F 5:30A - 4:00P PST)

♦ Web Site: www.wilburcurtis.com

♦ E-Mail: techsupport@wilburcurtis.com