



## HOT WATER BOILERS

MODEL: WB-10-12  
WB-14-12, WB-14-11

ITEM NO

PROJECT

DATE

### FEATURES AT A GLANCE

- Automatic refill system
- Thermostatic Controls
- Sight Glass available on all models
- Smooth welded seams
- "No-Drip" faucet
- Precision temperature gauge
- Large "HOT WATER" graphics



WB-14-12  
14 Gallon Capacity

### Perfect for tea, soup, freeze-dried products, hot chocolate, cleaning jobs and more!

Curtis' high performance Hot Water Boilers are ideal for any operation requiring large volumes of piping hot water. With quick, energy-efficient operation, these boilers are constructed of heavy gauge stainless steel and feature thermostatic controls and solid-state automatic refill systems.

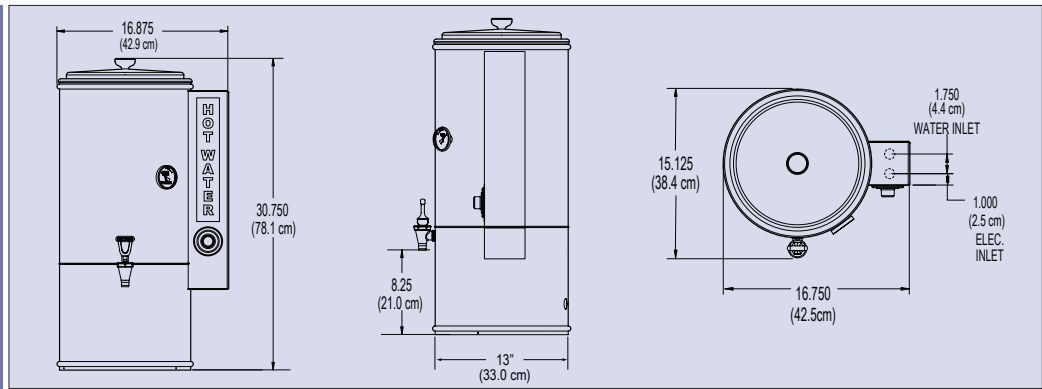


WB-10-12  
10 Gallon Capacity

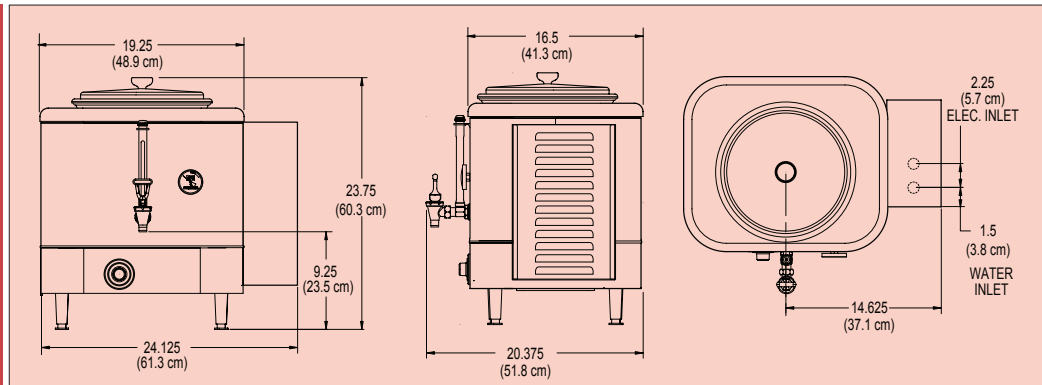


Find the latest on the web at  
[www.wilburcurtis.com](http://www.wilburcurtis.com)

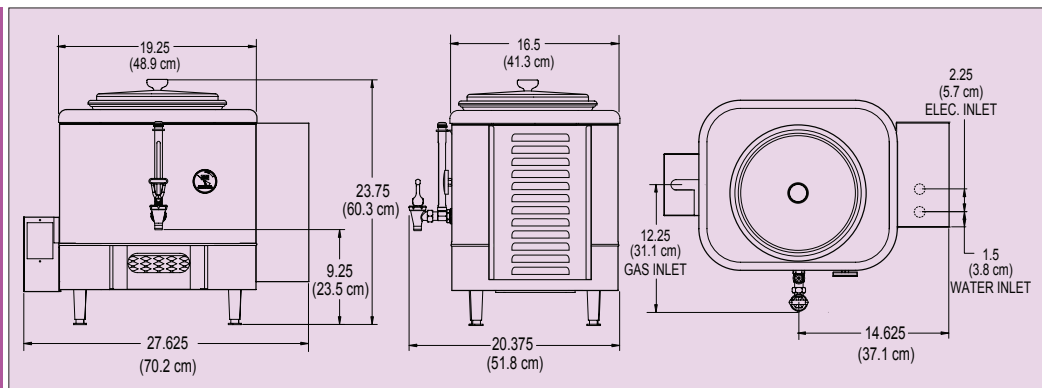
# WB-10-12



# WB-14-12



# WB-14-11



Specifications	WB-10-12	WB-14-12	WB-14-11
Capacity	10 Gallons	14 Gallons	14 Gallons
Gas/Electric	Electric	Electric	Gas
Voltage*	120V/220V 1PH 3W+G	120V/220V 1PH 3W+G	115V 1PH 2W+G 60Hz
Power Requirements	2080W/7000W 17.3/31.8A	2080W/7000W 17.3/31.8A	3A
Dimensions (WxDxH)	16.875" x 15.125" x 30.75"	24.25" x 20.375" x 23.75"	27.625" x 20.375" x 23.75"
Shipping Weight	32 lbs.	50 lbs.	56 lbs.
Cube (cu. ft.)	6.5	11.6	11.6

\* Other voltage available - Contact Factory



## WILBUR CURTIS COMPANY, INC.

6913 Acco Street, Montebello, CA 90640-5403

Telephone: 800-421-6150 · 323-837-2300

Fax: 323-837-2406

www.wilburcurtis.com

